

Instruction Manual

2120 • 2121 • 2125 • 2125W • 2127 • 2130 • 2132 • 2134 • 2137

2141 • 2141G • 2143 • 2145 • 2150 • 2152 • 2154 • 2156

Screwdrivers

General Safety Rules

WARNING! READ AND UNDERSTAND ALL INSTRUCTIONS. Failure to follow all instructions listed below may result in electric shock, fire and/or serious personal injury.

SAVE THESE INSTRUCTIONS

WORK AREA

- **Keep your work area clean and well lit.** Cluttered benches and dark areas invite accidents.
- **Do not operate power tools in explosive atmospheres, such as in the presence of flammable liquids, gases, or dust.** Power tools create sparks which may ignite the dust or fumes.
- **Keep bystanders, children, and visitors away while operating a power tool.** Distractions can cause you to lose control.

ELECTRICAL SAFETY

- **Double insulated tools are equipped with a polarized plug (one blade is wider than the other.) This plug will fit in a polarized outlet only one way. If the plug does not fit fully in the outlet, reverse the plug. If it still does not fit, contact a qualified electrician to install a polarized outlet. Do not change the plug in any way.** Double insulation eliminates the need for the three wire grounded power cord and grounded power supply system.
- **Grounded tools must be plugged into an outlet properly installed and grounded in accordance with all codes and ordinances. Never remove the grounding prong or modify the plug in any way. Do not use any adapter plugs. Check with a qualified electrician if you are in doubt as to whether the outlet is properly grounded.** If the tools should electrically malfunction or break down, grounding provides a low resistance path to carry electricity away from the user.
- **Avoid body contact with grounded surfaces such as pipes, radiators,**

ranges and refrigerators. There is an increased risk of electric shock if your body is grounded.

- **Don't expose power tools to rain or wet conditions.** Water entering a power tool will increase the risk of electric shock.
- **Do not abuse the cord. Never use the cord to carry the tools or pull the plug from an outlet. Keep cord away from heat, oil, sharp edges or moving parts. Replace damaged cords immediately.** Damaged cords increase the risk of electric shock.
- **When operating a power tool outside, use an outdoor extension cord marked "W-A" or "W."** These cords are rated for outdoor use and reduce the risk of electric shock. When using an extension cord, be sure to use one heavy enough to carry the current your product will draw. An undersized cord will cause a drop in line voltage resulting in loss of power and overheating. The following table shows the correct size to use depending on cord length and nameplate ampere rating. If in doubt, use the next heavier gage. The smaller the gage number, the heavier the cord.

Minimum Gage for Cord Sets

Volts	Total Length of Cord in Feet		
120V	0-25	26-50	51-100
240V	0-50	51-100	101-200
		101-200	201-300
Ampere Rating	AWG		
More Than	Not more Than		
0 -	6	18	16
6 -	10	18	16
10 -	12	16	16
12 -	16	14	12
			Not Recommended

PERSONAL SAFETY

- **Stay alert, watch what you are doing and use common sense when operating a power tool. Do not use tool while tired or under the influence of drugs, alcohol, or medication.** A moment of inattention while operating power tools may result in serious personal injury.
- **Dress properly. Do not wear loose clothing or jewelry. Contain long**

hair. Keep your hair, clothing, and gloves away from moving parts. Loose clothing, jewelry, or long hair can be caught in moving parts.

- **Avoid accidental starting. Be sure switch is off before plugging in.** Carrying tools with your finger on the switch or plugging in tools that have the switch on invites accidents.

- **Remove adjusting keys or switches before turning the tool on.** A wrench or key that is left attached to a rotating part of the tool may result in personal injury.

- **Do not overreach. Keep proper footing and balance at all times.** Proper footing and balance enables better control of the tool in unexpected situations.

- **Use safety equipment. Always wear eye protection.** Dust mask, non-skid safety shoes, hard hat, or hearing protection must be used for appropriate conditions.

TOOL USE AND CARE

- **Use clamps or other practical way to secure and support the workpiece to a stable platform.** Holding the work by hand or against your body is unstable and may lead to a loss of control.

- **Do not force tool. Use the correct tool for your application.** The correct tool will do the job better and safer and the rate for which it is designed.

- **Do not use tool if switch does not turn it on or off.** Any tool that cannot be controlled with the switch is dangerous and must be repaired.

- **Disconnect the plug from the power source before making any adjustments, changing accessories, or storing the tool.** Such preventative safety measures reduce the risk of starting the tool accidentally.

- **Store idle tools out of reach of children and other untrained persons.** Tools are dangerous in the hands of untrained users.

- **Maintain tools with care. Keep cutting tools sharp and clean.** Properly maintained tools, with sharp cutting edges are less likely to bind and are easier to control.

- **Check for misalignment or binding of moving parts, breakage of parts, and any other condition that may affect the tools operation. If damaged, have the tool serviced before using.** Many accidents are caused by poorly maintained tools.

- **Use only accessories that are recommended by the manufacturer for your model.** Accessories that may be suitable for one tool, may become hazardous when used on another tool.

SERVICE

- **Tool service must be performed only by qualified repair personnel.** Service or maintenance performed by unqualified personnel could result in a risk of injury.

- **When servicing a tool, use only identical replacement parts. Follow instructions in the Maintenance section of this manual.** Use of unauthorized parts or failure to follow Maintenance Instructions may create a risk of electric shock or injury.

Additional Safety Rules

- **Keep handles dry, clean, free from oil and grease.** It is recommended to use rubber gloves. This will enable better control of the tool.

- **DO NOT TOUCH ANY METAL PARTS OF THE TOOL when drilling or driving into walls, floors or wherever live electrical wires may be encountered!** Hold the tool only by insulated grasping surfaces to prevent electric shock if you drill or drive into a live wire.

- The label on your tool may include the following symbols.

Vvolts

Aamperes

Hzhertz

Wwatts

minminutes

~alternating current

===direct current

n₀no load speed

Class II Construction

.../minrevolutions or reciprocation per minute

earthing terminals

Switch

To start tool, depress the trigger switch, shown in Figure 1. To stop tool, release the switch. The **variable speed trigger switch** permits speed control. The farther the trigger switch is depressed, the higher the speed of the tool.

To lock the switch in the on position for continuous operation, depress the trigger switch and push up the **locking button**. The tool will continue to run. To turn the tool off, from a locked on condition, squeeze and release the trigger once. Before using the tool (each time), be sure that the locking button release mechanism is working freely. Be sure to release the locking mechanism before disconnecting the plug from the power supply. Failure to do so will cause the tool to start immediately the next time it is plugged in. Damage or injury could result. The **reversing lever** is used to reverse the tool for backing out screws. It is located above the trigger, shown in Figure 1. To reverse the screwdriver, turn it off and push the reversing lever to the right (when viewed from the back of the tool). To position the lever for forward operation, turn the tool off and push the lever to the left.

Dead Spindle Action

All B&D screwdrivers provide a dead output spindle to permit fasteners to be located easily in the driving accessory. Clutches are held apart by light spring pressure permitting the driving clutch to rotate without turning the driven clutch and accessory. When sufficient forward pressure is applied to the unit, the clutches engage and rotate the spindle and accessories. A reversing switch makes it possible to drive or loosen either right or left hand screws.

Accessory Assembly

The 1/4" **hex drive ball lock chuck** is used on all depth sensitive and drywall screwdrivers. Assemble accessories by engaging the hex spindle and tapping lightly on the accessory until it snaps in place. Usually pliers are

required to remove the accessory by pulling forward. The 1/4" **hex drive quick change chuck** (Figure 2), is used on all Versa Clutch™ units. A ball retainer provides positive locking of all accessories in the chuck. Pull forward on the ball retainer and hold while inserting or removing accessories. Release for positive accessory retention.

Depth Sensitive Units (2120, 2121, 2125, 2125W, 2127)

To Change Bit Holders:

1. Pull forward on adjustment collar and remove from clutch housing.
2. Pull bit holder straight out with pliers if it is difficult to remove.
3. Push new bit holder into spindle until ball lock snaps in groove in bit holder shank.
4. Replace adjustment collar by snapping over retaining ring.

NOTE: Align ribs on inside of depth locator with grooves in clutch housing before snapping into place.

Changing Bit Tip

1. Pull forward on adjustment collar and remove it from clutch housing. (See Figure 3)

Figure 1

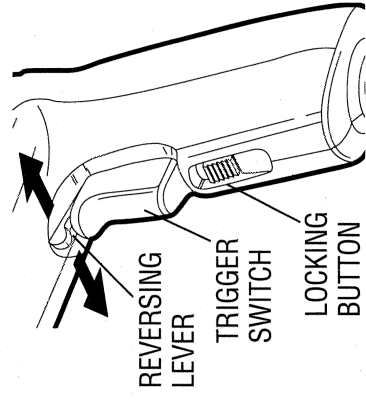
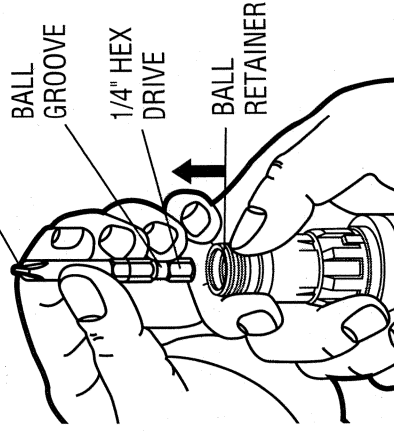


Figure 2



- Use pliers to remove worn bit and install new bit tip.

Depth Adjustment

Follow the graphic on the collar to increase or decrease the fastening depth. To seat the screw deeper in the workpiece, turn the adjustment collar to the right. To seat the screw higher in the workpiece, turn the adjustment collar to the left.

Nutsetting Units (2130, 2132, 2134, 2137)

Installing and Changing Nutsetters and Locators

Depth Sensitive Units for Drill Point Screws

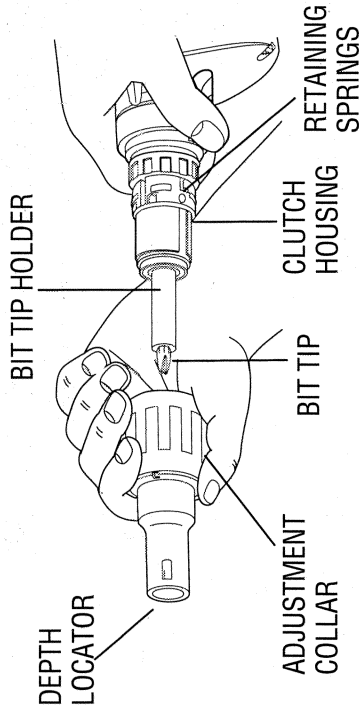
- To change or install a new nutsetter:
 - Pull forward on adjustment collar and remove from clutch housing.
 - Pull nutsetters straight out with pliers
 - Select nutsetter size desired.
 - Two locators are supplied, a 9/16" ID for 3/8" nutsetters and 1/2" ID for 5/16" nutsetters. Match locator to desired size nutsetter or bit holder.
- Place nutsetter into clutch housing and push end of nutsetter until ball lock snaps into groove of nutsetter shank.
- Reassemble adjustment collar by snapping over springs (see Figure 4).

NOTE: Align ribs on inside of depth locator with grooves in clutch housing.

Depth Adjustment

- For washer head screws: rotate adjustment collar until end of nutsetter is flush with end of locator.
- For large washer head and sealer screws: adjust as above until nutsetter is recessed approximately 1/16" into the locator.
- Test drive a fastener in scrap material to determine if seating is correct.
- Adjust following the graphic printed on the tool.

Figure 3



Versa Clutch™ Units (2141, 2141G, 2143, 2145)

External adjustment of all Versa Clutch™ units for a wide range of fastener sizes is fast and easy as follows (see Figure 5):

- Rotate collar in increase direction (stamped on adjustment collar) to increase the amount of clutch engagement and torque output.
- Maximum rotation of the collar in the increase direction results in full clutch engagement and maximum torque output and fastener capacity. Collar and adjustable stop will not screw off clutch housing.
- Test drive a fastener into a scrap piece to check proper fastener seating. It is normal after a period of use to require a slightly different collar setting due to wear on the clutch faces.

NOTE: With Versa Clutch™, the operator has the ability to "override" clutch ratchet if a fastener hits a wood knot, variable hardness in steel work pieces or incorrect pilot holes. Increased operator pressure will usually cause the clutches to pick-up and continue to seat the fastener. Further, a quick twist of the collar will change the clutch setting to overcome most driving difficulties and will provide for immediate change in torque output giving the operator the option to drive a range of fastener sizes.

Positive Clutch Units (2150, 2152, 2154, 2156)

1. Install proper bit and set screwdriver for correct rotation.
2. Place fastener on bit and contact work.
3. Apply steady pressure on screwdriver to keep clutches engaged and bit in contact with fastener.
4. Upon fastener seating, clutches will ratchet. Disengage bit from fastener.

Accessories

Recommended accessories for use with your tool are available at extra cost from your distributor or local service center.

CAUTION: The use of any non-recommended accessory may be hazardous.

MAINTENANCE

Cleaning

With the motor running, blow dirt and dust out of all air vents with dry air at least once a week. Wear safety glasses when performing this. Exterior plastic parts may be cleaned with a damp cloth and mild detergent. Although these parts are highly solvent resistant, **NEVER** use solvents. **Drywall Scrubbers:** Depth locator and adjustment collar should be removed and drywall dust blown out of the clutch housing area at least once a week.

Changing Clutches

1. Remove clutch housing by unscrewing (left hand thread).
2. Clamp tool or clutch housing in a resilient clamp. USE CARE, the clutch housing can be easily damaged.
3. Remove round clutch retaining rings with a very small screwdriver (see Figure 6).
4. Install new clutches and new retaining rings. Be careful to assemble the

Figure 4

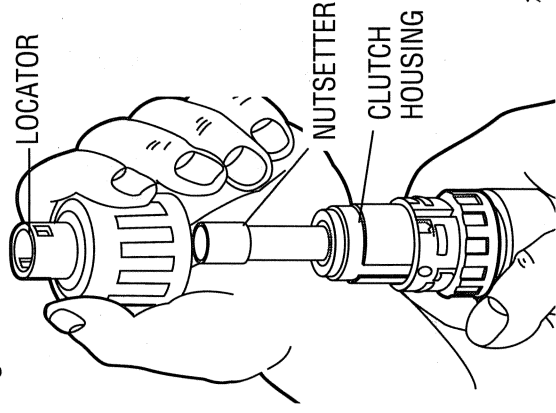


Figure 5

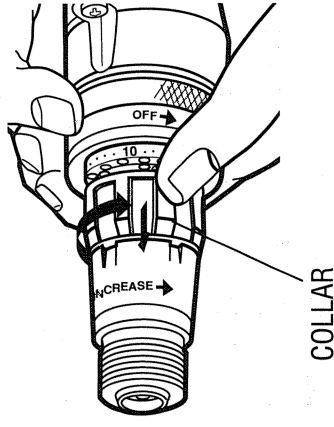
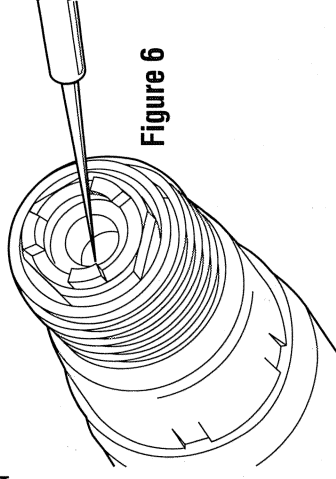


Figure 6



intermediate clutch large end first toward the unit and then the spring. The spring switch should run against the output clutch.

NOTE: If the output spindle slides toward inside of gear case, remove gear case and push output spindle forward to expose retaining ring groove. Reassemble dead spindle spring allowing no more than 1/4" projecting from end of spindle.

5. Relubricate clutches (see Parts Bulletin for B&D lubricants identification).

Lubrication

All ball and needle bearings are factory lubricated for the life of the bearing.

Clutch Lubrication

1. Remove clutch housing by unscrewing (left hand thread).
2. On depth sensitive units, slip clutch assembly from clutch housing.
3. Lightly brush clutch faces and coat inside nose of gear case.
4. On positive and Versa Clutch™ units the clutch assembly will not slip out of the clutch housing and it's necessary only to coat the clutch faces.

Lubrication

All ball and needle bearings are factory lubricated for the life of the bearing.

Clutch Lubrication

1. Remove clutch housing by unscrewing (left hand thread).
2. On depth sensitive units, slip clutch assembly from clutch housing .
3. Lightly brush clutch faces and coat inside nose of gear case.
4. On positive and Versa Clutch™ units the clutch assembly will not slip out of the clutch housing and it's necessary only to coat the clutch faces.

IMPORTANT!

To assure product safety and reliability, particularly for double insulated tools, repairs, maintenance and adjustment (excluding maintenance described in this manual) should be performed by B&D service centers or authorized service centers.

Every B&D tool is of the highest quality.

If you wish to contact us regarding this product, please call toll free between 8:00am and 8:00pm ET, seven days a week:

1-800-9-BD TOOL
(1-800-923-8665)

One Year Free Maintenance

All B&D tools for Industry and Construction are covered under a one year free maintenance program where B&D will inspect your tool for safety and provide necessary maintenance or repairs, including normal wear and tear parts, for one year, free of charge.

Full Warranty

All B&D tools for Industry and Construction are warranted to be free of any defects in materials or workmanship. Upon thorough examination of tool, B&D will repair or replace, at our option, any product that is determined to be defective.

Conditions

The service/safety check and the warranty do not apply to: repairs made or attempted by anyone other than an authorized B&D service location; misuse, abuse, neglect, improper application of the tool; missing parts; or normal wear and tear (after first year of ownership). Please return the complete unit, transportation prepaid, to any B&D factory owned or B&D authorized service center location (list provided with tool or see yellow pages under "Tools Electric")

Black & Decker (U.S.) Inc. • 701 East Joppa Road, Towson, Maryland 21286

Printed in U.S.A. (JUL96-CD-1) Form No. 154636 Copyright © 1996