

INSTRUCTION MANUAL

WARNING: FOR SAFE OPERATION
READ INSTRUCTION MANUAL. IF
YOU HAVE ANY QUESTIONS, CALL
US TOLL FREE:

1-800-762-6672

KEY INFORMATION YOU SHOULD KNOW

- Efficient paint removal requires a certain technique. Follow instructions in this manual.
- Aside from stripping paint, your tool can be used to soften linoleum and floor tile, loosen heat-sensitive adhesives, activate shrinkable plastics and thaw frozen water pipes.

Paint Remover and Heat Gun

**VEA EL ESPAÑOL EN LA
CONTRAPORTADA.**

**POUR LE FRANÇAIS, VOIR LA
COUVERTURE ARRIÈRE.**

9756



BLACK & DECKER®

GUIDE D'UTILISATION

AVERTISSEMENT : POUR S'ASSURER DU FONCTIONNEMENT SÛR, LIRE LE GUIDE D'UTILISATION. POUR OBTENIR DE PLUS AMPLES RENSEIGNEMENTS, COMPOSER SANS FRAIS LE NUMÉRO SUIVANT.

9756

1 800 762-6672

Pistolet chauffant

RENSEIGNEMENTS IMPORTANTS

- Il faut acquérir une bonne technique afin de décaper efficacement la peinture. Se conformer aux directives du présent guide.
- En plus de décaper, le pistolet chauffant peut servir pour amollir le linoléum et les carreaux de plancher, pour faire décoller des produits adhésifs sensibles à la chaleur, pour faire agir les tubes thermorétractables et pour dégeler les conduites d'eau gelées.

MANUAL DE INSTRUCCIONES

INSTRUCTIVO DE OPERACIÓN, CENTROS DE SERVICIO Y PÓLIZA DE GARANTÍA.

9756

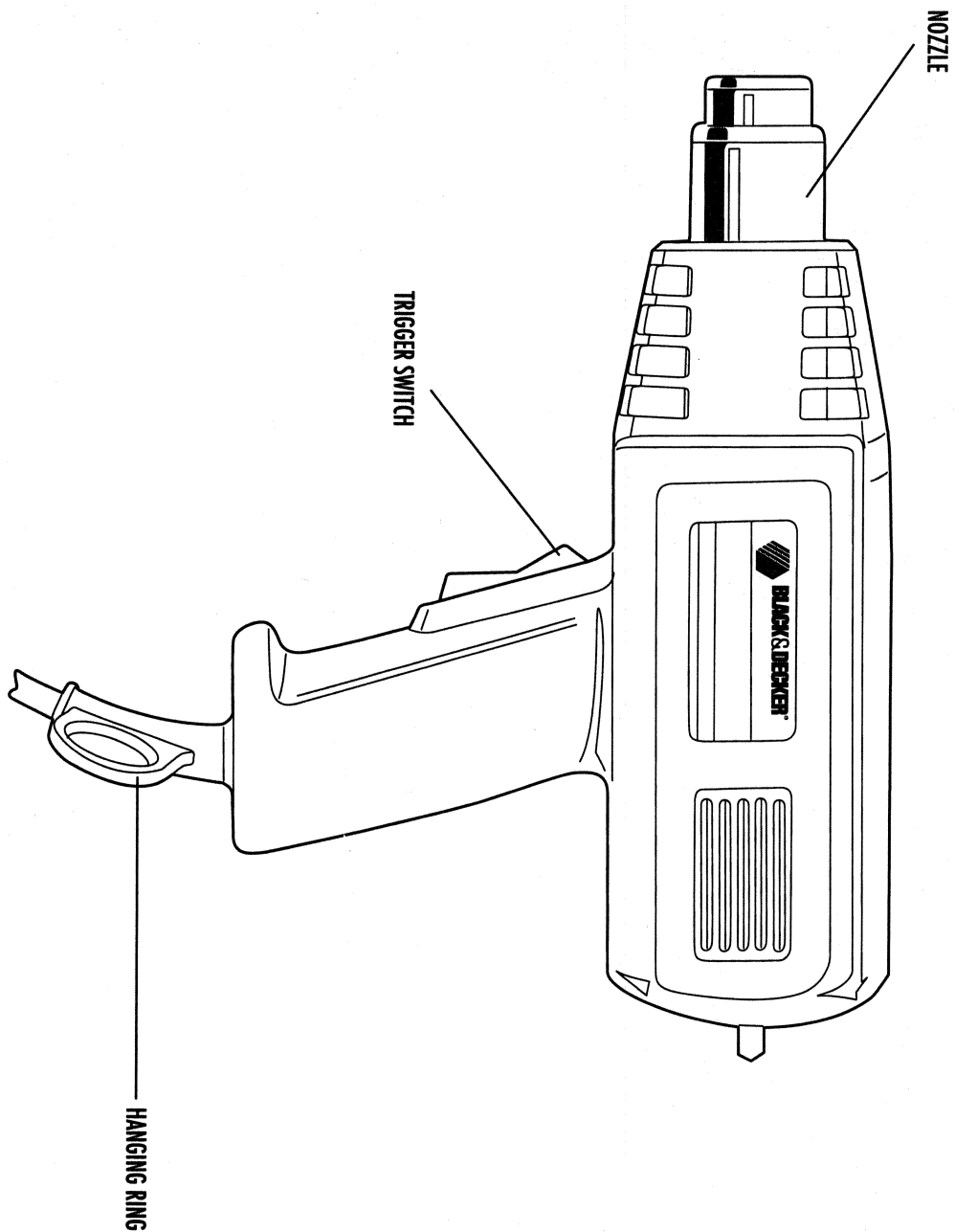
91-800-701-28

ADVERTENCIA: LEÁSE ESTE INSTRUCTIVO ANTES DE USAR EL PRODUCTO. SI TIENE DUDAS, POR FAVOR LLAME.

Removedor de pintura y pistola de calor

INFORMACION CLAVE QUE DEBE SABER

- Para remover la pintura de manera eficiente se requiere de cierta técnica. Siga las instrucciones contenidas en este manual.
- Además de levantar pintura, la herramienta se puede utilizar para suavizar linóleoum y recubrimientos para pisos, aflojar adhesivos sensitivos al calor, activar plásticos encogibles y descongelar bombas de agua.



fully into the outlet, reverse the plug. If it still does not fit, contact a qualified electrician to install the proper outlet. Do not change the plug in any way.

Safety Instructions For All Tools:

- **KEEP WORK AREA CLEAN.** Cluttered areas and benches invite injuries.
- **CONSIDER WORK AREA ENVIRONMENT.** Don't expose power tools to rain. Don't use power tools in damp or wet locations. Keep work area well lit. Do not use tool in presence of flammable liquids or gases.
- **GUARD AGAINST ELECTRIC SHOCK.** Prevent body contact with grounded surfaces. For example; pipes, radiators, ranges, and refrigerator enclosures.
- **KEEP CHILDREN AWAY.** Do not let visitors contact tool or extension cord. All visitors should be kept away from work area.
- **STORE IDLE TOOLS.** When not in use, tools should be stored in dry, and high or locked-up place — out of reach of children.
- **DON'T FORCE TOOL.** It will do the job better and safer at the rate for which it was intended.
- **USE RIGHT TOOL.** Don't force small tool or attachment to do the job of a heavy-duty tool. Don't use tool for purpose not intended.
- **DRESS PROPERLY.** Do not wear loose clothing or jewelry. They can be caught in moving parts. Rubber gloves and non-skid footwear are recommended when working outdoors. Wear protective hair covering to contain long hair.
- **USE SAFETY GLASSES.** Also use face or dust mask if operation is dusty.
- **DON'T ABUSE CORD.** Never carry tool by cord or yank it to disconnect from receptacle. Keep cord from heat, oil, and sharp edges.
- **SECURE WORK.** Use clamps or a vise to hold work. It's safer than using your hand and it frees both hands to operate tool.

IMPORTANT SAFETY INSTRUCTIONS

WARNING: Remember that hidden areas such as those behind walls, ceilings, floors, soffit boards and other panels may contain flammable materials that could be accidentally ignited when stripping paint from the panel. Such a fire would not be readily apparent, and could cause considerable damage and danger of injury.

This tool produces 500 and 1020 degrees Fahrenheit (260 and 550 degrees Celsius) (measured at end of nozzle in air flow).

When using electric tools, basic safety precautions should always be followed to reduce risk of fire, electric shock, and personal injury, including the following:

READ ALL INSTRUCTIONS

Double Insulation

Double insulated tools are constructed throughout with two separate layers of electrical insulation or one double thickness of insulation between you and the tool's electrical system. Tools built with this insulation system are not intended to be grounded. As a result, your tool is equipped with a two prong plug which permits you to use extension cords without concern for maintaining a ground connection.

NOTE: Double insulation does not take the place of normal safety precautions when operating this tool. The insulation system is for added protection against injury resulting from a possible electrical insulation failure within the tool.

CAUTION: WHEN SERVICING USE ONLY IDENTICAL REPLACEMENT PARTS. Repair or replace damaged cords.

Polarized Plugs

Polarized plugs (one blade is wider than the other) are used on equipment to reduce the risk of electric shock. When provided, this plug will fit into a polarized outlet only one way. If the plug does not fit

- **DON'T OVERREACH.** Keep proper footing and balance at all times.
- **MAINTAIN TOOLS WITH CARE.** Keep tools sharp and clean for better and safer performance. Follow instructions for lubricating and changing accessories. Inspect tool cords periodically and if damaged, have repaired by authorized service facility. Inspect extension cords periodically and replace if damaged. Keep handles dry, clean, and free from oil and grease.
- **DISCONNECT OR LOCK OFF TOOLS** when not in use, before servicing, and when changing accessories, such as blades, bits, cutters.
- **REMOVE ADJUSTING KEYS AND WRENCHES.** Form habit of checking to see that keys and adjusting wrenches are removed from tool before turning it on.
- **AVOID UNINTENTIONAL STARTING.** Don't carry tool with finger on switch. Be sure switch is off when plugging in.
- **EXTENSION CORDS.** Make sure your extension cord is in good condition. When using an extension cord, be sure to use one heavy enough to carry the current your product will draw. An undersized cord will cause a drop in line voltage resulting in loss of power and overheating. The following table shows the correct size to use depending on cord length and nameplate ampere

Volts	Minimum Gauge for Cord Sets		
	Total Length of Cord in Feet	American Wire Gauge	
120V	0-25	26-50	51-100
240V	0-50	51-100	101-200
Ampere Rating			
More Than	Not more Than	American Wire Gauge	
0	6	18	16
6	10	18	16
10	12	16	16
12	16	14	14
		12	12
		14	12
		12	Not Recommended

- rating. If in doubt, use the next heavier gage. The smaller the gage number, the heavier the cord.
- **OUTDOOR USE EXTENSION CORDS.** When tool is used outdoors, use only extension cords intended for use outdoors and so marked.
- **STAY ALERT.** Watch what you are doing. Use common sense. Do not operate tool when you are tired.
- **CHECK DAMAGED PARTS.** Before further use of the tool, a guard or other part that is damaged should be carefully checked to determine that it will operate properly and perform its intended function. Check for alignment of moving parts, binding of moving parts, breakage of parts, mounting, and any other conditions that may affect its operation. A guard or other part that is damaged should be properly repaired or replaced by an authorized service center unless otherwise indicated elsewhere in this instruction manual. Have defective switches replaced by authorized service center. Do not use tool if switch does not turn it on and off.

SAVE THESE INSTRUCTIONS

Additional Safety Instructions for Paint Removers

Be constantly aware that this tool can ignite flammable materials, and soften or melt others. Regardless of the task you are performing, shield or keep away from these materials that are close to the work area. You may occasionally notice some slight smoking of the tool after it is turned off. This is the result of heating the residual oil that was deposited on the heating element during the manufacturing process.

— IMPORTANT NOTICE —

In order for this tool to be an effective paint stripper, it must produce extremely high (up to 1020°F) (550°C) temperatures. As a consequence, the stripper is capable of igniting paper, wood, paint and varnish residue and similar materials.

As you become more familiar with the tool and develop the proper technique, the danger of accidental ignition will be greatly reduced. In establishing the proper technique, the best thing to do is PRACTICE! Work on simple stripping projects, preferably outdoors, until you get a "feel" for how to use your stripper safely and effectively.

As you practice, observe the following procedures for safety.

- DO NOT USE THIS TOOL AS A HAIR DRYER.
- Allow the tool to cool before storing.
- Always use good quality scrapers and stripping knives.
- Never obstruct the air intake or nozzle outlet.
- Be sure to direct the hot air blast in a safe direction; away from other people or flammable objects.
- KEEP FINGERS AWAY FROM METAL NOZZLE; IT BECOMES VERY HOT.
- Don't touch the nozzle to any surface while running or shortly after running.
- Avoid poking anything down inside the nozzle.
- Know your work environment. Remember that areas behind soffit board, ceilings and floors may contain highly flammable materials. Check these areas before applying heat.
- Clean dry paint from the nozzle after use; it could ignite.
- Do not use the heat gun in combination with chemical strippers.
- Do not use accessory nozzles as scrapers.
- Keep nozzle away from cord.
- Always be sure the tool is turned OFF and UNPLUGGED when left unattended.
- Clean the scraper blade often during use. Built up residue on the blade is highly flammable.
- Experiment to find the optimum distance from the tool's nozzle to

the surface being stripped. This distance (usually 1 to 2 inches) (25.4-50.8mm) will vary depending on the material being removed.

- Keep the heat gun moving ahead of the scraper blade at ALL times.
 - As you work, clean up loose pieces of paint as they accumulate around the work area.
 - When working indoors, keep away from curtains, papers, upholstery and similar flammable materials.
 - Above all, remember that this is a serious power tool that is capable of producing excellent results when used properly. Practice on simple projects until you feel comfortable with your stripper. Only then will you have mastered the proper technique.
- WARNING:** Extreme care should be taken when stripping paint. The peelings, residue and vapors of paint may contain lead, which is poisonous. Any pre-1977 paint may contain lead and paint applied to homes prior to 1950 is likely to contain lead. Once deposited on surfaces, hand to mouth contact can result in the ingestion of lead. Exposures to even low levels of lead can cause irreversible brain and nervous system damage; young and unborn children are particularly vulnerable.

Before beginning any paint removal process you should determine whether the paint you are removing contains lead. This can be done by your local health department or by a professional who uses a paint analyzer to check the lead content of the paint to be removed. **LEAD-BASED PAINT SHOULD ONLY BE REMOVED BY A PROFESSIONAL AND SHOULD NOT BE REMOVED USING A HEAT GUN.**

Persons removing paint should always follow these guidelines:

- Move the work piece outdoors. If this is not possible, keep the work area well ventilated. Open the windows and put an exhaust fan in one of them. Be sure the fan is moving the air from inside to outside.

- Remove or cover any carpets, rugs, furniture, clothing, cooking utensils and air ducts.
- Place drop cloths in the work area to catch any paint chips or peelings. Wear protective clothing such as extra work shirts, overalls and hats.
- Work in one room at a time. Furnishings should be removed or placed in the center of the room and covered. Work areas should be sealed off from the rest of the dwelling by sealing doorways with drop cloths.
- Children, pregnant or potentially pregnant women and nursing mothers should not be present in the work area until the work is done and all clean up is complete.
- Wear a dust respirator mask or a dual filter (dust and fume) respirator mask which has been approved by the Occupational Safety and Health Administration (OSHA), the National Institute of Safety and Health (NIOSH), or the United States Bureau of Mines. These masks and replaceable filters are readily available at major hardware stores. Be sure the mask fits. Beards and facial hair may keep masks from sealing properly. Change filters often. **DISPOSABLE PAPER MASKS ARE NOT ADEQUATE.**
- Use caution when operating the heat gun. Keep the heat gun moving as excessive heat will generate fumes which can be inhaled by the operator.
- Keep food and drink out of the work area. Wash hands, arms and face and rinse mouth before eating or drinking. Do not smoke or chew gum or tobacco in the work area.
- Clean up all removed paint and dust by wet mopping the floors. Use a wet cloth to clean all walls, sills and any other surface where paint or dust is clinging. **DO NOT SWEEP, DRY DUST OR VACUUM.** Use a high phosphate detergent or trisodium phosphate (TSP) to wash and mop areas.
- At the end of each work session put the paint chips and debris in

a double plastic bag, close it with tape or twist ties, and dispose of properly.

- Remove protective clothing and work shoes in the work area to avoid carrying dust into the rest of the dwelling. Wash work clothes separately. Wipe shoes off with a wet rag that is then washed with the work clothes. Wash hair and body thoroughly with soap and water.

SAVE THESE INSTRUCTIONS

Dual Position Switch (Figure 1)

To turn the tool ON at 500°F (260°C) setting, depress the upper switch, marked "1". To turn the tool ON at 1020°F (550°C) setting depress the lower switch, marked "2". To turn the tool OFF center the switch.

Removing Paint

Efficient paint removal requires the development of a technique. Follow the guidelines in this manual and you'll find that you will have mastered the procedure after a few simple projects. (See **IMPORTANT NOTICE**, page 2.)

Turn on the tool and hold the nozzle about one inch from the surface to be stripped, as shown in Figure 2. (Give the unit about 15-20 seconds running time to reach its full heat potential.) The paint being heated will usually begin to blister when it reaches the proper temperature for stripping. When it reaches this point begin scraping with smooth, even strokes using the scraper that best fits your needs.

(Scrapers are available from your Black & Decker dealer at extra cost. Of course a wide variety of paint scrapers is available at any good hardware store.) If the paint is sufficiently hot and the scraper is properly suited to the surface being stripped, the paint should come off in a strip equal to the full width of the scraper. Move the unit slightly ahead of the scraper to assure that the paint being stripped is softened.

Best results will be achieved if the heat gun is moved slowly, but **CONSTANTLY** from side to side to evenly distribute the heat.

DO NOT LINGER OR PAUSE IN ONE SPOT.

Remember that splinters and small particles of stripped paint can be ignited and blown through holes and cracks in the surface being stripped.

Helpful Hints About Paint Stripping

A smooth, downward scraping action with the type of scraper shown in Figure 2 will give good results and will help to prevent gouging the work surface.

With some paints, prolonged heating will actually make them tougher to strip. Try a few different heating times until you develop the technique best suited to your particular application.

The heat gun is designed to remove both oil based and latex based paints.

IT WILL NOT REMOVE STAINS OR PRIMER COATS THAT HAVE IMPREGNATED THE WOOD GRAIN.

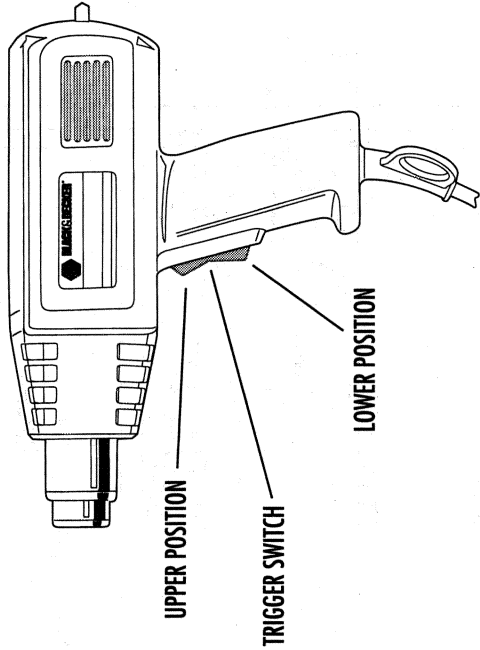
Scrape paint as soon as it softens, it will soon cool and harden again.

Clean the edge of your scraper often to retain a clean, sharp edge.

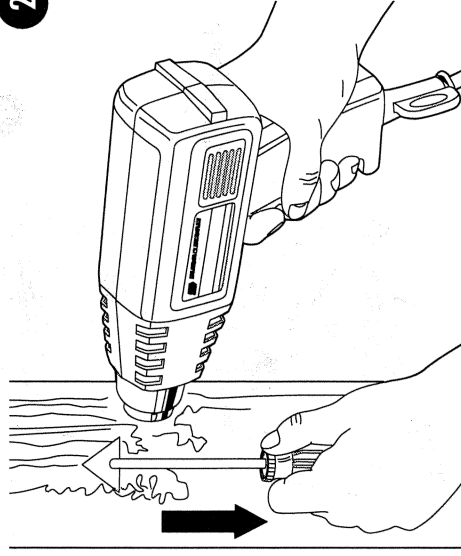
Shield areas adjacent to where you're scraping. For example: shield the door with nonflammable materials if you're stripping the door frame.

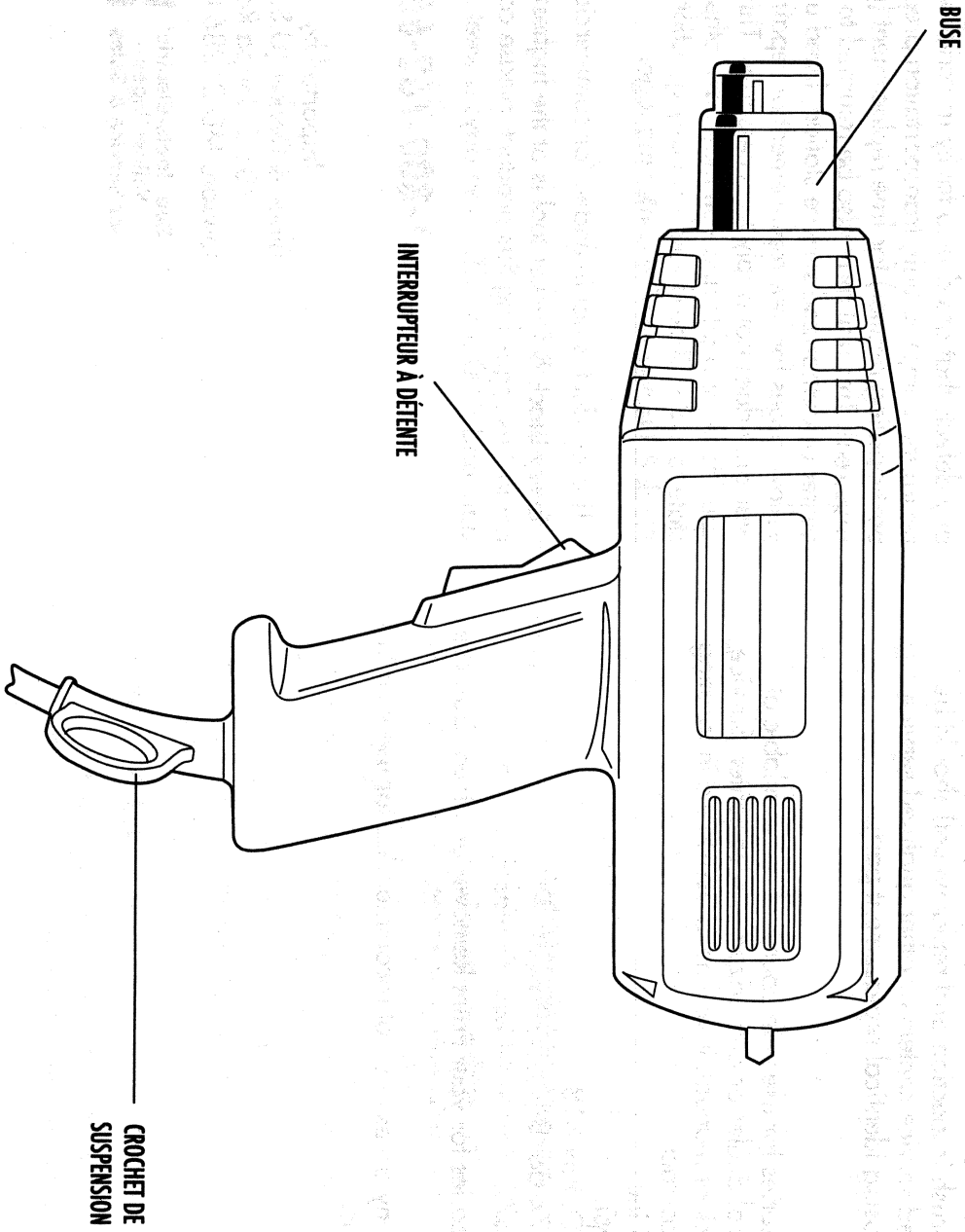
Don't concentrate the tool's heat on a window pane or other glass surface. Excessive heat may crack the glass. Use some nonflammable material to shield the glass when stripping the window frame. A special window shielding nozzle is available at extra cost from your local dealer. See Figure 3. A complete list of accessories for use with this tool is included in this manual.

1



2





IMPORTANTES MESURES DE SÉCURITÉ

AVERTISSEMENT : Se rappeler qu'il peut y avoir des matériaux inflammables dans des endroits cachés (comme derrière les murs, au-dessus des plafonds, sous les planchers, derrière les sous-faces et derrière tout autre panneau). Ces matériaux peuvent être allumés par inadvertance lors de travaux de décapage. Un tel incendie n'est pas nécessairement apparent et il peut causer d'importants dommages en plus de présenter des risques de blessures.

L'outil dégage de la chaleur dont la température varie entre 260 et 550 degrés Celsius (500 et 1 020 °F) (mesure prise au débit d'air à la sortie de la buse).

Afin de réduire les risques d'incendie, de secousses électriques ou de blessures lorsqu'on utilise des outils électriques, il faut toujours respecter les mesures de sécurité suivantes.

LIRE TOUTES LES DIRECTIVES.

Double isolation

Les outils à double isolation comportent deux couches distinctes d'isolant électrique ou une double épaisseur d'isolant qui protègent l'utilisateur contre les risques de blessures provenant du système électrique de l'outil. Ce système de double isolation élimine le besoin de mettre les outils à la terre. En effet, l'outil est muni d'une fiche à deux broches, ce qui permet d'utiliser une rallonge ordinaire sans avoir à se soucier d'assurer la mise à la terre.

NOTE : La double isolation ne dispense pas des mesures de sécurité normales lors de l'utilisation de l'outil. Elle vise à procurer une protection supplémentaire contre les blessures que peut entraîner une déféctuosité de l'isolant électrique à l'intérieur de l'outil.

MISE EN GARDE : LORS DE L'ENTRETIEN, N'UTILISER QUE DES PIÈCES DE RECHANGE IDENTIQUES. Réparer ou remplacer les cordons endommagés.

Fiche polarisée

Afin de réduire les risques de secousses électriques, l'outil est muni d'une fiche polarisée (une lame plus large que l'autre). Ce genre de fiche n'entre que d'une façon dans une prise polarisée. Lorsqu'on ne peut insérer la fiche à fond dans la prise, il faut tenter de le faire après avoir inversé les lames de côté. Si la fiche n'entre toujours pas dans la prise, il faut communiquer avec un électricien certifié. Il ne faut en aucun cas modifier la fiche.

Mesures de sécurité pour tous les outils

- **BIEN DÉGAGER LA SURFACE DE TRAVAIL.** Des surfaces et des établis encombrés peuvent être la cause de blessures.
- **TENIR COMPTE DU MILIEU DE TRAVAIL.** Protéger les outils électriques de la pluie. Ne pas s'en servir dans des endroits humides ou mouillés. Bien éclairer la surface de travail. Ne pas se servir de l'outil en présence de liquides ou de vapeurs inflammables.
- **SE PROTÉGER CONTRE LES SECOUSSES ÉLECTRIQUES.** Éviter tout contact avec des objets mis à la terre, comme des tuyaux, radiateurs, cuisinières, réfrigérateurs et autres objets du genre.
- **ÉLOIGNER LES ENFANTS.** Tous les visiteurs doivent être tenus à l'écart de l'aire de travail et il faut les empêcher de toucher à l'outil ou au cordon de rallonge.
- **RANGER LES OUTILS INUTILISÉS.** Il faut ranger les outils dans un endroit sec, situé en hauteur ou fermé à clé, hors de la portée des enfants.
- **NE JAMAIS FORCER L'OUTIL.** Afin d'obtenir un rendement sûr et efficace, utiliser l'outil à son rendement nominal.
- **UTILISER L'OUTIL APPROPRIÉ.** Ne jamais exiger d'un petit outil ou d'un accessoire le rendement d'un outil de fabrication plus robuste. Se servir de l'outil selon l'usage prévu.

- **PORTER DES VÊTEMENTS APPROPRIÉS.** Éviter de porter des vêtements amples et des bijoux qui peuvent être happés par les pièces en mouvement. Porter des gants de caoutchouc et des chaussures à semelle antidérapante pour travailler à l'extérieur. Protéger la chevelure si elle est longue.
- **PORTER DES LUNETTES DE SÉCURITÉ.** Porter également un masque respiratoire si le travail de coupe produit de la poussière.
- **NE PAS MANIPULER LE CORDON DE FAÇON ABUSIVE.** Ne pas transporter l'outil par le cordon ni tirer sur ce dernier pour le débrancher de la prise. Éloigner le cordon des sources de chaleur, des flaques d'huile et des arêtes tranchantes.
- **ASSUJETTIR LA PIÈCE.** Immobiliser la pièce à l'aide de brides ou d'un étau. On peut alors se servir des deux mains pour faire fonctionner l'outil, ce qui est plus sûr.
- **NE PAS DÉPASSER SA PORTÉE.** Toujours demeurer dans une position stable et garder son équilibre.
- **PRENDRE SOIN DES OUTILS.** Conserver les outils propres pour qu'ils donnent un rendement supérieur et sûr. Suivre les directives concernant la lubrification et le remplacement des accessoires. Inspecter régulièrement le cordon de l'outil et le faire réparer au besoin à un atelier d'entretien autorisé. Inspecter régulièrement les cordons de rallonge et les remplacer lorsqu'ils sont endommagés. S'assurer que les poignées sont toujours propres, sèches et libres de toute tache d'huile ou de graisse.
- **DÉBRANCHER OU VERROUILLER EN POSITION HORS TENSION LES OUTILS NON UTILISÉS.** Respecter cette mesure lorsqu'on ne se sert pas de l'outil, ou qu'on doit le réparer ou en changer un accessoire (comme une lame, un foret ou un couteau).
- **ÉVITER LES CLÉS DE RÉGLAGE.** Prendre l'habitude de vérifier si les clés de réglage ont été retirées avant de faire démarrer l'outil.
- **ÉVITER LES DÉMARRAGES ACCIDENTELS.** Ne pas laisser le doigt sur l'interrupteur lorsqu'on transporte l'outil. S'assurer que

l'interrupteur est à la position hors circuit lorsqu'on branche l'outil.

- **CORDONS DE RALLONGE.** S'assurer que le cordon de rallonge est en bon état. Lorsqu'on se sert d'un cordon de rallonge, s'assurer qu'il est de calibre approprié pour la tension nécessaire au fonctionnement de l'outil. L'utilisation d'un cordon de calibre inférieur occasionne une baisse de tension entraînant une perte de puissance et la surchauffe. Le tableau suivant indique le calibre approprié selon la longueur du cordon et les mentions de la plaque signalétique de l'outil. En cas de doute, utiliser un cordon de calibre supérieur. Le chiffre indiquant le calibre est inversement proportionnel au calibre du cordon.

Calibre minimal des cordons de rallonge			
Volts		Longueur totale du cordon en pieds	
120V	De 0 à 25	De 26 à 50	De 51 à 100
240V	De 0 à 50	De 51 à 100	De 101 à 200
			De 201 à 300
Intensité			
Au moins	Au plus	Calibre moyen de fil	
0	6	18	16
6	10	18	16
10	12	16	16
12	16	14	14
		12	12
		14	12
		12	Non recommandé

- **CORDONS DE RALLONGE PRÉVUS POUR L'EXTÉRIEUR.** Lorsque l'outil est utilisé à l'extérieur, ne se servir que d'un cordon de rallonge conçu pour l'extérieur et portant la mention appropriée.
- **DEMEURER VIGILANT.** Travailler avec vigilance et faire preuve de bon sens. Ne pas se servir de l'outil lorsqu'on est fatigué.
- **VÉRIFIER LES PIÈCES ENDOMMAGÉES.** Avant de continuer à utiliser l'outil, il faut vérifier si le protecteur ou toute autre pièce endommagée remplit bien la fonction pour laquelle il a été prévu. Vérifier l'alignement et les attaches des pièces mobiles, le degré d'usure des pièces et leur montage, ainsi que tout autre facteur susceptible de nuire au bon fonctionnement de l'outil. Faire

réparer ou remplacer tout protecteur ou toute autre pièce endommagée dans un centre de service autorisé, sauf si le présent guide fait mention d'un avis contraire. Confier le remplacement de tout interrupteur défectueux à un centre de service autorisé. Ne jamais se servir d'un outil dont l'interrupteur est défectueux.

CONSERVER CES MESURES.

Mesures de sécurité additionnelles relatives aux pistolets chauffants

Toujours se rappeler que l'outil peut allumer des matériaux ainsi que faire amollir ou fondre d'autres matériaux. Peu importe la tâche exécutée, protéger de tels matériaux qui se trouvent à proximité de la surface de travail ou ne pas s'en approcher.

À l'occasion, de la fumée peut se dégager de l'outil après sa mise hors service. Il s'agit du chauffage de l'huile résiduelle qui s'est déposée sur l'élément chauffant au cours de la fabrication.

— AVIS IMPORTANT —

L'outil doit produire des températures extrêmement élevées (jusqu'à 550 °C (1 020 °F)) afin de décaper efficacement. Par conséquent, le pistolet chauffant peut enflammer du papier, du bois, de la peinture, des résidus de vernis et tout autre matériau du genre.

Le risque d'incendie diminue à mesure qu'on apprend à mieux se servir de l'outil. Afin de se familiariser avec l'outil, il faut PRATIQUER. Commencer par exécuter des projets simples, de préférence à l'extérieur, jusqu'à ce qu'on acquière l'habileté de se servir du pistolet chauffant sûrement et efficacement.

Lorsqu'on se sert de l'outil, se conformer aux mesures de sécurité suivantes.

- NE PAS SE SÉCHER LES CHEVEUX AVEC L'OUTIL.
- Laisser l'outil refroidir avant de le ranger.

- Toujours utiliser des grattoirs et des couteaux de décapage de bonne qualité.
- Ne jamais bloquer l'alimentation en air ni le débit d'air à la buse.
- Toujours diriger le jet d'air chaud vers un emplacement sûr; loin des gens et des objets inflammables.
- ÉLOIGNER LES DOIGTS DE LA BUSE MÉTALLIQUE; ELLE DEVIENT TRÈS CHAUDE.
- Ne pas laisser la buse entrer en contact avec toute surface lorsqu'on se sert de l'outil et pendant un certain temps après l'avoir utilisé.
- Éviter d'insérer des objets à l'intérieur de la buse.
- Examiner le milieu de travail. Se rappeler qu'il peut y avoir des matériaux inflammables derrière les sous-faces, au-dessus des plafonds et sous les planchers. Vérifier ces emplacements avant de les exposer à de la chaleur.
- Enlever la peinture sèche qui se trouve sur la buse après avoir utilisé l'outil; elle présente un risque d'incendie.
- Ne pas utiliser un pistolet chauffant en même temps que des produits chimiques pour le décapage.
- Ne pas utiliser les buses comme grattoir.
- Éloigner la buse du cordon.
- Toujours s'assurer que l'outil est HORS SERVICE et DÉBRANCHÉ lorsqu'on le laisse sans surveillance.
- Nettoyer souvent la lame du grattoir pendant les travaux de décapage. Les accumulations de résidus sur la lame sont très inflammables.
- Faire des essais afin de découvrir la distance optimale à maintenir entre la buse du pistolet et la surface à décaper. La distance (habituellement entre 25,4 mm et 50,8 mm (1 et 2 pouces)) varie en fonction du matériau à décaper.

- Déplacer le pistolet en **TOUT** temps.
- Pendant les travaux, nettoyer les débris de peinture au fur et à mesure qu'ils s'accumulent autour de la surface de travail.
- Lorsqu'on décape à l'intérieur, s'éloigner des rideaux, des papiers, des meubles et de tout autre matériau inflammable semblable.

- Toujours se rappeler qu'il s'agit d'un outil électrique de qualité donnant d'excellents résultats lorsqu'on sait comment s'en servir. Pratiquer sur des projets simples pour se familiariser avec l'outil; on acquière ainsi l'expérience nécessaire.

AVERTISSEMENT : Prendre soin lorsqu'on décape de la peinture. Les écaillés, les résidus et les vapeurs de la peinture peuvent renfermer du plomb, qui présente des risques d'empoisonnement. Toute peinture fabriquée avant 1977 peut contenir du plomb et il est fort probable que les peintures enduites avant 1950 contiennent du plomb. Lorsqu'on dépose les mains sur de telles surfaces et qu'on porte les mains à la bouche, il y a risque d'ingestion de plomb. Même l'ingestion d'une quantité minime de plomb présente des risques de dommages irréversibles au cerveau et au système nerveux. Les enfants et les bébés y sont particulièrement vulnérables.

Avant de décapier, s'assurer que la peinture ne contient pas de plomb. Pour ce faire, communiquer avec un représentant du ministère de la santé publique ou avec un professionnel qui se sert d'un analyseur de peinture pour en vérifier la teneur en plomb. **SEUL UN PROFESSIONNEL PEUT ENLEVER DE LA PEINTURE À BASE DE PLOMB ET IL NE FAUT PAS SE SERVIR D'UN PISTOLET CHAUFFANT POUR EXÉCUTER CETTE TÂCHE.**

Les personnes qui décapent devraient toujours se conformer aux directives suivantes.

- Dans la mesure du possible, travailler à l'extérieur. Sinon, bien aérer la zone de travail. Ouvrir les fenêtres et placer un ventilateur d'évacuation d'air devant l'une des fenêtres ouvertes.

S'assurer que le ventilateur évacue l'air de la pièce vers l'extérieur.

- Retirer ou recouvrir les tapis, carpettes, meubles, vêtements, ustensiles et les conduites d'aération.
- Placer des bâches dans la zone de travail pour y accumuler les résidus de peinture. Porter des vêtements protecteurs, des sarraus et des casquettes.
- Travailler dans une pièce à la fois. Il faut enlever les meubles ou les placer au centre de la pièce et les recouvrir. Isoler la zone de travail du reste de l'habitation en plaçant des bâches pour bloquer les ouvertures des portes.
- Les enfants, les femmes enceintes ou qui pourraient l'être et les mères qui allaitent ne devraient pas pénétrer dans la zone de travail tant que les travaux sont bien terminés et que la pièce n'est pas bien nettoyée.
- Porter un masque respiratoire ou un masque doté d'un filtre (à l'épreuve des poussières et des vapeurs) homologués par l'un des organismes suivants Occupational Safety and Health Administration (OSHA), National Institute of Safety and Health (NIOSH) ou United States Bureau of Mines. La plupart des grandes quincailleries tiennent ce genre de masques et de filtres remplaçables. S'assurer que le masque est de la bonne dimension. Les barbes et les poils du visage peuvent empêcher l'éanchéité du masque. Remplacer souvent les filtres. **LES MASQUES JETABLES EN PAPIER NE SONT PAS ADEQUATS.**
- Prendre garde lorsqu'on utilise un pistolet chauffant. Laisser le pistolet continuellement en mouvement sinon la chaleur excessive génère des vapeurs toxiques que l'utilisateur pourrait inhaler.
- Ne pas conserver d'aliments ni de boissons dans la zone de travail. Se laver les mains, les bras et le visage ainsi que se rincer la bouche avant de manger ou de boire. Ne pas fumer ni mâcher de la gomme dans la zone de travail.

- Enlever toute la peinture décapée et la poussière résiduelle en lavant les planchers à grande eau. Utiliser un chiffon mouillé pour nettoyer tous les murs, rigoles et autres surfaces où il pourrait y avoir de la peinture ou de la poussière. **NE PAS BALAYER, ÉPOUSSETER NI PASSER L'ASPIRATEUR.** Utiliser un détergent à forte teneur en phosphate ou du phosphate trisodique pour laver la zone de travail.
- À la fin de chaque session de travail, déposer les résidus de peinture dans un sac double en plastique. Fermer celui-ci à l'aide de ruban adhésif ou d'attaches et s'en débarrasser de façon appropriée.
- Enlever les vêtements protecteurs et les chaussures de travail dans la zone de travail en prenant soin de ne pas transporter de la poussière dans le reste de l'habitation. Laver les vêtements de travail séparément. Essuyer les chaussures avec un chiffon mouillé qu'on mettra ensuite à laver avec les vêtements de travail. Bien laver la chevelure et le corps avec de l'eau et du savon.

CONSERVER CES MESURES.

Interrupteur à deux positions (Figure 1)

Pour mettre l'outil en marche à une température de 260 °C (500 °F), enfoncer la partie supérieure de l'interrupteur portant la mention «1». Pour mettre l'outil en marche à une température de 550 °C (1 020 °F), enfoncer la partie inférieure de l'interrupteur portant la mention «2». Pour le mettre hors tension, le placer à la position centrale.

Décapage de la peinture

Il faut acquérir une bonne technique afin de décaper efficacement la peinture. Se conformer aux directives du présent guide pour maîtriser la technique après avoir décapé quelques projets. (Consulter la rubrique **AVIS IMPORTANT** à la page 12.)

Mettre l'outil en marche et le tenir à environ 25,4 mm (1 po) de la

surface à décaper (fig. 2). (Attendre entre 15 et 20 secondes environ pour que l'outil puisse fournir sa pleine capacité de chaleur.) La peinture décapée s'écaille ou cloque lorsque l'outil atteint la température normale de décapage. À ce moment, commencer à décaper à l'aide de mouvements constants et uniformes avec le grattoir qui convient le mieux au travail à effectuer.

(On peut se procurer séparément des grattoirs chez les détaillants de produits Black & Decker. Bien entendu, il existe une vaste gamme de grattoirs qu'on peut acheter dans toute bonne quincaillerie.) Lorsque la peinture est suffisamment chauffée et que le grattoir convient au travail à effectuer, la peinture devrait s'enlever sur une bande égale à la largeur du grattoir. Déplacer l'outil légèrement en avant du grattoir afin de s'assurer que la peinture à décaper est suffisamment amollie.

On optimise les résultats en déplaçant lentement, mais **CONSTAMMENT**, le pistolet chauffant d'un côté à l'autre afin de distribuer uniformément la chaleur.

NE PAS RESTER SUR PLACE NI S'ARRÊTER À UN ENDROIT.

Se rappeler que les échardes et les petites particules de peinture décapée peuvent être allumées et soufflées à l'intérieur de la surface à décaper.

Conseils pratiques relatifs à l'utilisation du pistolet chauffant

Avec le type de grattoir illustré à la figure 2, on optimise les résultats en utilisant un mouvement uniforme descendant et on évite ainsi de rainer la surface de travail.

Dans le cas de certains types de peinture, l'exposition prolongée à la chaleur risque de les faire durcir. Essayer différents temps de décapage jusqu'à l'obtention de la technique la plus appropriée à la tâche à exécuter.

Le pistolet chauffant est conçu pour décaper des peintures à base d'huile ou de latex.

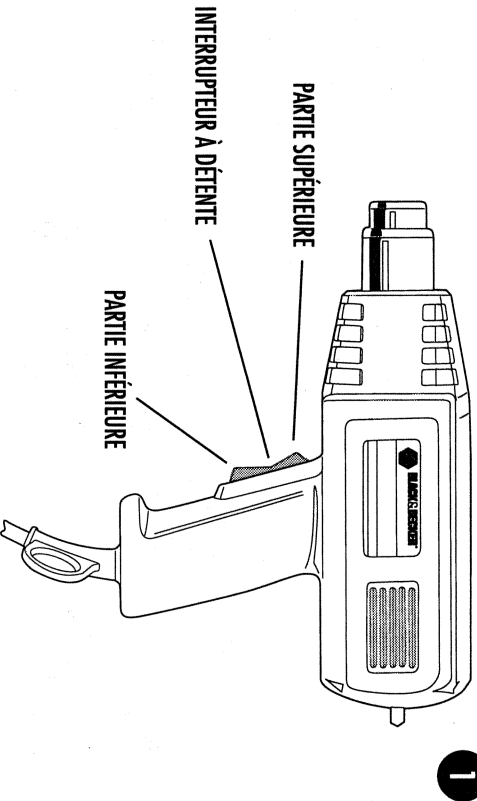
ON NE PEUT PAS S'EN SERVIR POUR DÉCAPER DES TEINTURES OU DES COUCHES DE FOND QUI SONT IMPRÉGNÉES DANS LES GRAINS DU BOIS.

Gratter la peinture dès qu'elle amollit car elle se refroidit et durcit vite.

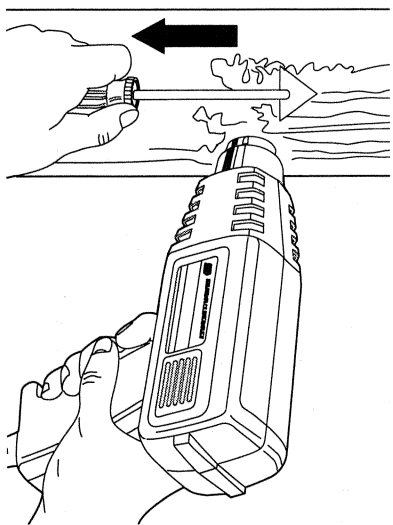
Nettoyer souvent le rebord du grattoir afin d'avoir une arête propre et tranchante en tout temps.

Protéger les zones adjacentes à la surface de travail. Recouvrir, par exemple, la porte d'un matériau ininflammable lorsqu'on décape le cadre de la porte.

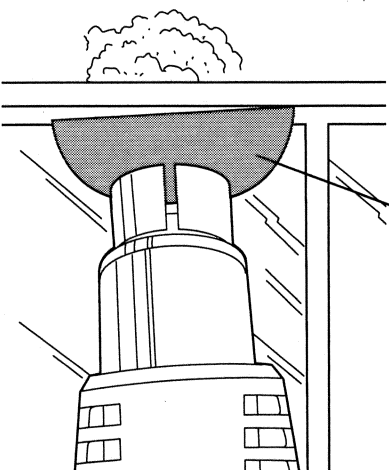
Ne pas diriger le jet de chaleur vers la vitre d'une fenêtre ou sur toute autre surface de verre. Un excès de chaleur peut faire craquer la vitre. Protéger la vitre à l'aide d'un matériau ininflammable lorsqu'on décape un châssis. Les détaillants de la région vendent des buses spéciales de protection contre les vitres. Voir la figure 3. Le présent guide renferme la liste complète des accessoires pour le pistolet chauffant.



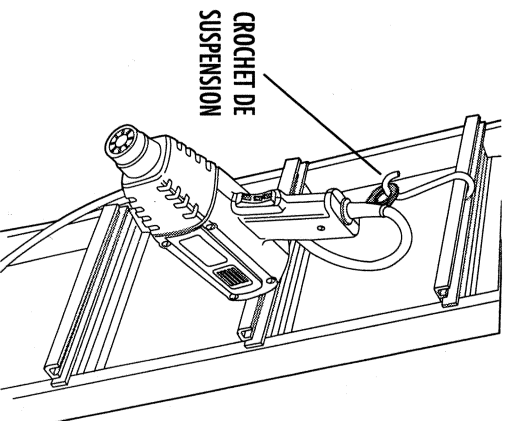
1



2



3



4

Utiliser le crochet de suspension incorporé pour accrocher l'outil lorsqu'on ne s'en sert pas. Voir la figure 4. De cette façon, l'outil est pratique et la buse chaude n'entre en contact avec rien.

Autres utilités

En plus de décaper, le pistolet chauffant a de nombreuses autres utilités. On peut s'en servir pour amollir le linoléum et les carreaux de plancher, ainsi que pour faire décoller des produits adhésifs sensibles à la chaleur. Il convient parfaitement aux tubes thermorétractables et partout où une source de chaleur portative est nécessaire. Il peut même servir à dégeler les conduites d'eau en métal gelées.

Éviter de la faire surchauffer à proximité de matériaux inflammables comme du bois, de l'isolation, des gaines de fils électriques ou du plastique. Faire seulement dégeler les sections de tuyauterie métallique qui sont complètement à découvert. Ne pas tenter de faire dégeler des conduites qui pénètrent des murs, des planchers, des plafonds ou tout autre espace confiné. Ne pas essayer de faire dégeler des conduites qui sont enveloppées d'isolant.

Il existe des douzaines d'utilités pour le pistolet chauffant. Tenter différentes expériences afin de découvrir ses qualités exceptionnelles et nous en faire part (l'adresse se trouve sur la couverture arrière du guide) afin que d'autres puissent en profiter.

Alimentation

Veiller à ce que la tension d'alimentation soit conforme aux exigences de la plaque signalétique de l'outil. La mention 120 volts c.a. seulement signifie que l'outil fonctionne seulement sur du courant alternatif (alimentation domestique standard de 120 volts, 60 cycles).

Tous les outils Black & Decker sont essayés avant de quitter l'usine. Lorsque celui-ci refuse de fonctionner, vérifier si la source d'alimentation électrique.

Nettoyage et lubrification

Nettoyer l'outil seulement à l'aide d'un savon doux et d'un linge humide. Ne laisser aucun liquide s'infiltrer dans l'outil et ne jamais immerger l'outil.

L'outil est monté sur des roulements autolubrifiants qui ne requièrent pas de lubrification périodique. Dans le cas peu probable où l'outil nécessiterait de l'entretien, la liste des centres de service se trouve dans l'emballage.

Important

Pour assurer la SÉCURITÉ D'EMPLOI et la FIABILITÉ de l'outil, n'en confier la réparation, l'entretien et les ajustements (y compris l'inspection et le remplacement des balais) qu'à un centre de service ou à un atelier d'entretien autorisé n'utilisant que des pièces de rechange identiques.

Accessoires

Les accessoires décrits dans le présent guide sont vendus chez les détaillants ou aux centres de service autorisés. La liste des centres de service autorisés se trouve dans l'emballage. Pour trouver un accessoire, communiquer avec le détaillant ou le centre de service autorisé de la région.

La liste des accessoires recommandés pour le pistolet chauffant se trouve plus bas.

MISE EN GARDE : L'utilisation de tout accessoire non recommandé pour l'outil peut être dangereuse.

Garantie d'échange rapide pour utilisation domestique

Black & Decker garantit ce produit pour une période de deux ans contre les vices de matière ou de fabrication dans des conditions d'utilisation domestique normales. La présente garantie ne s'applique pas aux avaries dues à une manœuvre négligente, au mauvais usage ni à une absence d'entretien raisonnable. Prière de retourner l'outil port payé au détaillant pour obtenir un échange gratuit, si le détaillant participe au programme d'échange rapide Black & Decker. (Le détaillant peut exiger une preuve d'achat.) L'outil peut aussi être retourné à un centre de service Black & Decker ou à tout autre atelier d'entretien accrédité pour y être remplacé ou réparé, à notre gré. La présente garantie ne vaut pas pour les accessoires.

Lorsque l'outil est retourné en vue d'être échangé, il faut retourner en même temps tous les accessoires standard inclus dans l'emballage original (tels le mandrin, la clé du mandrin, les poignées auxiliaires et les lames de scie circulaire). Il n'est pas nécessaire de retourner le matériel original non réutilisable tel que le papier de ponçage ainsi que les lames de scies à ruban, les disques de scies circulaires et les lames de scies à découper. Dans le cas d'ensembles ou de jeux d'outils, seul l'outil électrique principal est remplacé.

Le seul recours en cas de violation de la garantie et la seule obligation de Black & Decker en vertu de la présente consiste en la réparation ou le remplacement du produit défectueux au gré de Black & Decker. Black & Decker n'assume aucune responsabilité en tout temps pour des blessures corporelles ou des dommages matériels, ou pour tout autre dommage imprévisible ou indirect, peu importe comment ils surviennent.

La présente garantie est strictement limitée à ses conditions et elle remplace toute autre garantie ou condition, écrite ou verbale, expresse ou implicite.

NOTE : La présente garantie et les dispositions précitées peuvent ne pas être valides dans certaines provinces. La liste complète des centres de service se trouve dans l'emballage.

Le produit n'est pas conçu pour un usage commercial.

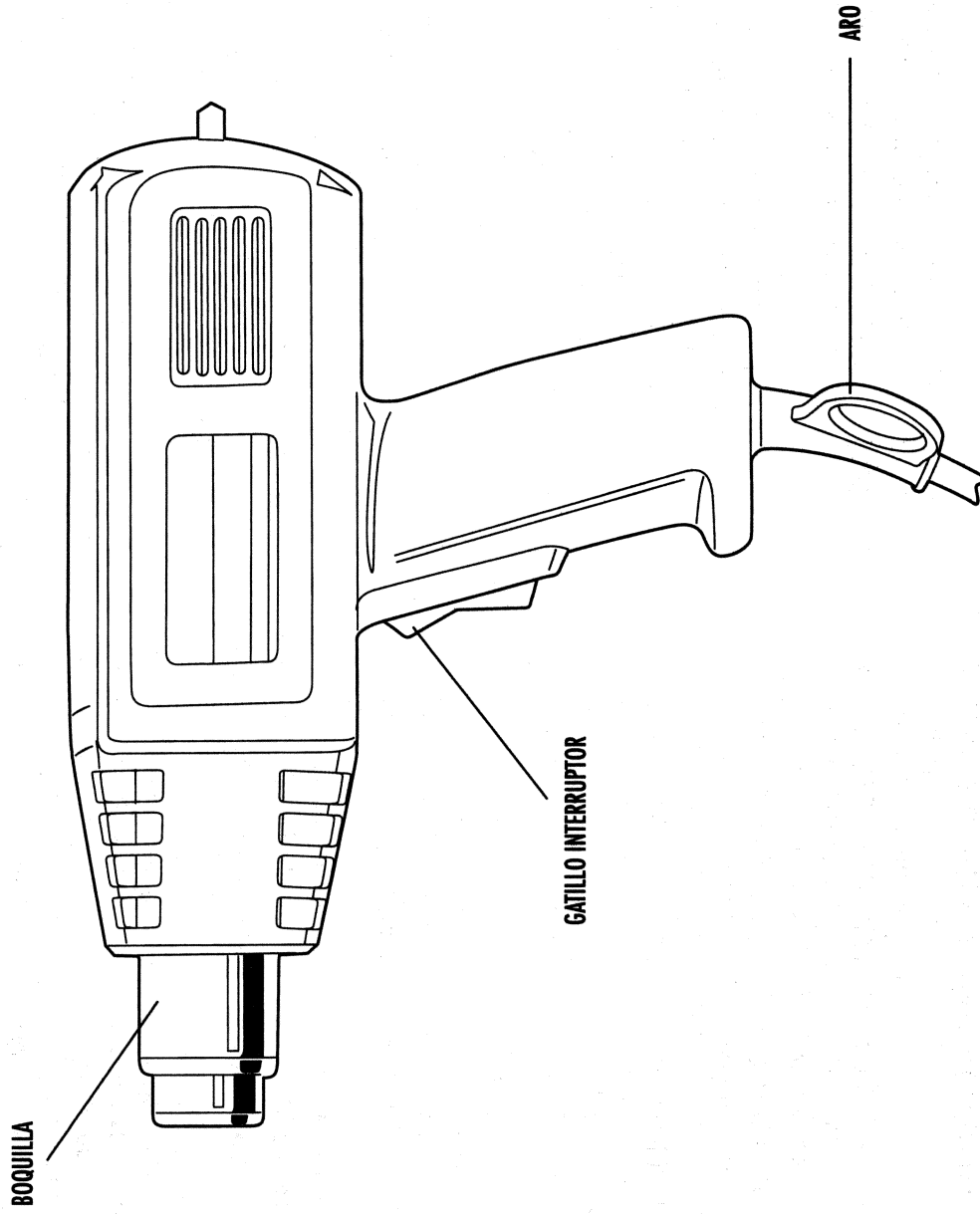
Chaque outil Black & Decker est de qualité supérieure. Pour obtenir de plus amples renseignements sur ce produit, prière de composer sans frais le numéro suivant, sept jours sur sept, entre 8 h et 20 h (heure de l'Est).

1 800 762-6672

Imported by / Importé par
Black & Decker Canada Inc.
100 Central Ave.
Brockville (Ontario) K6V 5W6

Voir la rubrique "Outils électriques"
des Pages Jaunes
pour le service et les ventes.





INSTRUCCIONES IMPORTANTES DE SEGURIDAD

ADVERTENCIA: Recuerde que las áreas ocultas, como las que están detrás de los muros, techos, pisos, tableros de respaldo y otro tipo de paneles pueden contener materiales inflamables que pueden encenderse accidentalmente cuando remueva la pintura del panel. Este fuego no sería aparente inmediatamente, y podría causar daños considerables y riesgo de lesiones.

Esta herramienta produce 260 y 550 grados centígrados (500 y 1020 grados Fahrenheit) (medidos en el extremo de la boquilla).

Cuando utilice herramientas eléctricas, debe seguir ciertas precauciones básicas de seguridad a fin de reducir el riesgo de incendio, choque eléctrico y lesiones personales. Entre estas precauciones se encuentran las siguientes:

LEA TODAS LAS INSTRUCCIONES

Doble aislamiento

Las herramientas DOBLEMENTE aisladas se han elaborado de manera integral con dos capas separadas de aislamiento eléctrico o una capa doble de aislamiento entre usted y el sistema eléctrico que contienen. Las herramientas construidas con este sistema de aislamiento no requieren conectarse a tierra. Como resultado su herramienta está equipada con una clavija de dos patas que le permite emplear cordones de extensión sin preocuparse por tener una conexión a tierra.

NOTA: El doble aislamiento no substituye a las precauciones normales de seguridad cuando se opera esta herramienta. La finalidad de este sistema de aislamiento es ofrecer a usted protección añadida contra lesiones resultantes de fallas en el aislamiento eléctrico interno de la herramienta.

PRECAUCIÓN: UTILICE SOLAMENTE REFACCIONES ORIGINALES CUANDO HAGGA SERVICIO a cualquier herramienta. Repare o reemplace los cordones eléctricos dañados.

Clavijas polarizadas

Se emplean clavijas polarizadas (con una pata más ancha que la otra) para reducir los riesgos de choque eléctrico. Cuando el cordón eléctrico cuente con este tipo de clavija, ajustará en un contacto polarizado solamente de una manera. Si la clavija no ajusta completamente en su contacto, invíértala. Si aún así no ajusta, llame a un electricista calificado para que le instale un contacto polarizado apropiado. No modifique o haga cambios en la clavija por ningún motivo.

Instrucciones de seguridad para todas las herramientas

- **CONSERVE LIMPIA LA ZONA DE TRABAJO.** Las superficies y los bancos con objetos acumulados en desorden propician los accidentes.
- **OTORGUE PRIORIDAD A LA ZONA DE TRABAJO.** No deje las herramientas eléctricas expuestas a la lluvia. No las utilice en lugares inundados o mojados. Conserve bien iluminada la zona de trabajo. No utilice la herramienta en presencia de líquidos o gases inflamables.
- **PROTEJASE CONTRA EL CHOQUE ELECTRICO.** Evite el contacto corporal con superficies aterrizadas, por ejemplo, tuberías, radiadores, antenas y gabinetes de refrigeración.
- **CONSERVE APARTADOS A LOS NIÑOS.** No permita que los visitantes toquen las herramientas o los cables de extensión. Todos los visitantes deben estar alejados de la zona de trabajo.
- **GUARDE LAS HERRAMIENTAS QUE NO EMPLEE.** Las herramientas que no se utilizan deben guardarse en un lugar seco y elevado o bajo llave — fuera del alcance de los niños.
- **NO FUERCE LA HERRAMIENTA.** Esta cumplirá su función mejor y con más seguridad a la velocidad y la presión para las que se diseñó.
- **EMPLEE LA HERRAMIENTA ADECUADA.** No fuerce a una herramienta pequeña o a sus dispositivos de montaje en un trabajo de tipo pesado. No emplee la herramienta en una tarea para la que no se diseñó.

- **VISTASE DE LA MANERA ADECUADA.** No use ropas o artículos de joyería flojos, pues podrían quedar atrapados por las partes móviles de las herramientas. Se recomienda el empleo de guantes de caucho y calzado antiderrapante cuando se trabaje al aire libre. Cúbrase bien la cabeza para sujetarse el cabello si lo tiene largo.
- **COLOQUESE ANTEOJOS DE SEGURIDAD.** Póngase también una mascarilla contra el polvo si lo produce la operación que va a efectuar.
- **TENGA CUIDADO CON EL CORDON ELECTRICO.** Nunca levante la herramienta tomándola por el cordón, ni tire de éste para desconectarlo del enchufe. Apártelo del calor y los objetos calientes, las substancias grasosas y los bordes cortantes.
- **ASEGURE LOS OBJETOS SOBRE LOS QUE TRABAJE.** Utilice prensas o tornillos de banco para sujetar los objetos sobre los que va a trabajar. Esto ofrece mayor seguridad que sujetar los objetos con la mano, y además deja libres ambas manos para operar la herramienta.
- **CONSERVE EL EQUILIBRIO.** Conserve en todo momento bien apoyados los pies, lo mismo que el equilibrio.
- **CUIDE SUS HERRAMIENTAS.** Conserve sus herramientas afiladas y limpias para que funcionen mejor y con mayor seguridad. Siga las instrucciones para lubricación y cambio de accesorios de su unidad. Revise periódicamente el cordón eléctrico y hágalo reparar o reemplazar por un centro de servicio si está dañado. Cambie los cordones de extensión si están dañados. Conserve las empuñaduras secas, limpias y libres de aceite y grasa.
- **DESCONECTE Y APAGUE LAS HERRAMIENTAS** cuando no las use, antes de darles servicio y cuando cambie accesorios, tales como discos, brocas y otros dispositivos de corte.
- **RETIRE LAS LLAVES DE AJUSTE Y DE TUERCAS.** Adquiera el hábito de asegurarse que se han retirado las llaves de ajuste de las herramientas antes de accionarlas.

- **EVITE QUE LA HERRAMIENTA SE ACCIONE ACCIDENTALMENTE.** Nunca sostenga una herramienta que está conectada con el dedo en el interruptor. Asegúrese que el interruptor está en posición de "apagado" antes de conectar la unidad.

- **CORDONES DE EXTENSION.** Asegúrese que su cordón de extensión esté en buenas condiciones. Cuando utilice un cordón de extensión, asegúrese que tenga el calibre suficiente para soportar la corriente necesaria para su herramienta. Un cordón eléctrico con calibre insuficiente causará una caída en el voltaje de la línea, resultando en pérdida de potencia y sobrecalentamiento. La tabla siguiente ilustra el calibre correcto que debe utilizarse de conformidad con la longitud del cordón y el amperaje descrito por la placa de identificación. Si tiene alguna duda, utilice el cable con el calibre siguiente (mayor). Mientras más chico sea el número, mayor será su calibre.

Volts	Calibre mínimo para cordones de extensión		
	Longitud total del cordón en metros		
120V	0-7.62	7.63-15.24	15.25-30.48 30.49-45.72
240V	0-15.24	15.25-30.48	30.49-60.96 60.97-91.44

AMPERAJE	Calibre del cordón	
	Más de	No más de
0 - 6	18	16
6 - 10	18	16
10 - 12	16	14
12 - 16	14	12
		No Recomendado

- **CORDONES DE EXTENSION PARA INTEMPERIE.** Cuando opere su herramienta a la intemperie, utilice únicamente cordones de extensión diseñados y marcados para este fin.
- **NO SE DISTRAIGA.** Concéntrese en lo que está haciendo. Recorra al sentido común. No opere ninguna herramienta si está fatigado.
- **VERIFIQUE LAS PARTES DAÑADAS.** Antes de seguir empleando cualquier herramienta, es indispensable verificar con mucho

cuidado que las guardas u otras partes dañadas puedan operar de la manera adecuada para cumplir con su función. Verifique la alineación de las partes móviles, la firmeza con que deben encontrarse sujetas a sus montaduras, las partes rotas, las propias montaduras y cualesquiera otros detalles que pudieran afectar la operación de la herramienta. Las guardas y otras partes que se encuentren dañadas deberán cambiarse o repararse en un centro de servicio autorizado, a menos que se diga otra cosa en el manual del usuario. Haga que se cambien los interruptores dañados en un centro de servicio autorizado. No emplee ninguna herramienta que tenga estropeado o inutilizado el interruptor.

CONSERVE ESTAS INSTRUCCIONES

Instrucciones adicionales de seguridad para removedores de pintura

Esté consciente de que esta herramienta puede provocar la ignición de materiales inflamables y ablandar o fundir otros. Sin importar la tarea que vaya a realizar, cubra estos materiales o alejese de ellos, cuando estén cercanos al área de trabajo.

Ocasionalmente, usted podrá notar que la herramienta humea un poco después de apagarla. Esto es resultado del calentamiento del aceite residual que se depositó en el elemento térmico durante el proceso de manufactura.

— NOTA IMPORTANTE —

Para que esta herramienta funcione eficientemente, debe producir temperaturas extremadamente altas hasta 550°C (1020°F). Como consecuencia, el removedor es capaz de encender papel, madera, residuos de pintura y barniz y materiales similares.

Al familiarizarse con la herramienta y desarrollar la técnica adecuada, el riesgo de ignición accidental se reducirá significativamente. Para dominar la técnica adecuada, lo mejor que

puede hacer es ¡PRACTICAR! Trabaje con proyectos sencillos, de preferencia a la intemperie, hasta que desarrolle la sensibilidad para usar su herramienta de manera segura y eficaz.

- **NO UTILICE ESTA HERRAMIENTA COMO SECADORA DE PELO.**
- Permita que la herramienta se enfríe antes de guardarla.
- Utilice siempre espátulas y cuñas de buena calidad.
- Nunca obstruya la toma de aire ni la boquilla de salida.
- Asegúrese de dirigir el chorro de aire caliente en una dirección segura; alejada de personas y de objetos inflamables.
- **CONSERVE LOS DEDOS ALEJADOS DE LA BOQUILLA METÁLICA; SE CALIENTA MUCHO.**
- No permita que la boquilla haga contacto con ninguna superficie mientras la pistola está en funcionamiento o permanezca caliente.
- Evite introducir objetos en el interior de la boquilla.
- Conozca su ambiente de trabajo. Recuerde que las áreas que están detrás o debajo de paneles falsos, pisos y techos pueden contener materiales altamente inflamables. Revise estas áreas antes de aplicar calor.
- Limpie los residuos secos de pintura de la boquilla después de usar la pistola; se pueden encender.
- No utilice la pistola de calor en combinación con removedores químicos.
- No utilice boquillas accesorias.
- Conserve la boquilla alejada del cordón eléctrico.
- Asegúrese siempre de dejar **APAGADA** y **DESCONECTADA** la herramienta cuando no esté cerca de ella.
- Limpie la hoja de la espátula frecuentemente durante el uso. Los residuos acumulados son altamente inflamables.
- Experimente para averiguar la distancia óptima entre la boquilla

y la superficie a limpiar. La distancia (usualmente entre 2,5 y 5 cm) (1-2") puede variar de acuerdo con el material que se trabaje.

- Conserve la pistola de calor en movimiento adelantando a la espátula SIEMPRE.
- Limpie los residuos aislados de pintura que se acumulen alrededor de la zona en que esté trabajando.
- Cuando trabaje bajo techo, aléjese de cortinas, papeles, tapicería y otros materiales similares que sean inflamables.
- Recuerde siempre que esta es una herramienta peligrosa, capaz de producir excelentes resultados cuando se emplea de la manera adecuada. Practique en proyectos sencillos hasta que se sienta cómodo con su pistola; solamente entonces habrá dominado la técnica apropiada.

ADVERTENCIA: Debe tener precaución extrema cuando levante pintura. Los residuos y vapores de pintura pueden contener plomo, que es venenoso. Cualquier pintura aplicada antes de 1977 puede contener plomo, y las pinturas aplicadas antes de 1950 seguramente lo contienen. El plomo se deposita en todas las superficies, y el contacto de la mano con la boca puede originar la ingestión de plomo. La exposición a cualquier cantidad de plomo, aún muy baja, puede ocasionar daños irreversibles al cerebro y al sistema nervioso. Los niños pequeños y los no nacidos son particularmente vulnerables.

Antes de comenzar cualquier trabajo de remoción de pintura, debe determinar si ésta contiene plomo. Esto lo puede hacer con la ayuda del departamento de salud de su localidad, o de un profesional que utilice un analizador de pintura para verificar el contenido de plomo en la pintura por removerse. **LAS PINTURAS CON BASE DE PLOMO SOLAMENTE DEBEN SER REMOVIDAS POR UN PROFESIONAL, Y NO DEBEN SER REMOVIDAS CON UNA PISTOLA DE CALOR.**

Siempre que remueva pintura realice los siguientes procedimientos:

- Mueva la pieza de trabajo a la intemperie. De no ser esto posible, conserve el área de trabajo bien ventilada. Abra las ventanas y coloque un extractor de aire en una de ellas. Asegúrese que el abanico del extractor lleve el aire del interior hacia el exterior.
- Quite todas las cubiertas o tapetes, alfombras, muebles, piezas de ropa, utensilios de cocina y ductos de aire.
- Coloque láminas de plástico en el área de trabajo para recoger los restos y residuos de pintura. Utilice ropas protectoras como camisa de trabajo, overol y sombrero.
- Trabaje en una habitación a la vez. El mobiliario debe sacarse o colocarse al centro de la habitación y debe cubrirse. Las áreas de trabajo deben sellarse y aislarse del resto de la edificación con láminas de plástico.
- Los niños y las mujeres embarazadas o potencialmente embarazadas y las mujeres que estén alimentando bebés no deben presentarse en la zona de trabajo hasta que éste se haya terminado y la habitación esté completamente limpia.
- Utilice una máscara-respirador o un respirador con doble filtro (para polvo y vapores) que esté de acuerdo con las reglamentaciones correspondientes. Estas máscaras y los filtros reemplazables se venden en la mayor parte de las ferreterías. Asegúrese que la máscara le ajusta. La barba y el vello facial pueden evitar que las máscaras sellen adecuadamente. Cambie los filtros frecuentemente. **LAS MASCARAS DE PAPEL DESECHABLES NO SON ADECUADAS.**
- Tenga cuidado al utilizar la pistola de calor. Conserve la unidad en movimiento, ya que el calor excesivo generará vapores que pueden ser inhalados por el operador.
- Aleje todo tipo de alimentos y bebidas del área de trabajo. Lávese las manos, los brazos y la cara y enjuáguese la boca antes de comer o beber. No fume ni masque chicle o tabaco en el área de trabajo.

- Limpie todos los restos y residuos de pintura trapeando los pisos. Utilice un trapo húmedo para limpiar los muros y cualquier otra superficie de donde cuelguen estos residuos. **NO BARRA NI ASPIRE.** Utilice un detergente con alto contenido de fosfatos o fosfato trisódico para lavar y trapear estas áreas.
- Coloque las rebabas y los residuos de pintura en una bolsa de plástico doble, cerrada con cinta adhesiva o una tira de alambre, y deséchela de la manera apropiada.
- Quítese la ropa protectora y los zapatos de trabajo en el área de trabajo para evitar llevar el polvo a otros sitios. Lave las ropas de trabajo por separado. Limpie los zapatos con un trapo húmedo, que se lave junto con las ropas de trabajo. Lávese el cabello y el cuerpo con agua y jabón.

CONSERVE ESTAS INSTRUCCIONES

Interruptor doble (figura 1)

Para encender la herramienta con el ajuste de 260°C (500°F), oprima el interruptor superior, marcado "1". Para encender la herramienta con el ajuste a 550°C (1020°F), oprima el interruptor inferior, marcado "2". Para apagar la herramienta, centre el interruptor.

Remoción de pintura

Para remover pintura de manera eficiente, se requiere desarrollar cierta técnica. Siga las recomendaciones de este manual y se encontrará con que ha dominado los procedimientos después de algunos proyectos sencillos. (Consulte la **NOTA IMPORTANTE** en la página 22.)

Encienda la pistola y coloque la boquilla aproximadamente a 2,5 cm de la superficie a limpiar, como se muestra en la figura 2. (Espere entre 15 y 20 segundos a que la unidad alcance el potencial máximo de temperatura.) La pintura que se esté calentando comenzará a

inflarse cuando alcance la temperatura apropiada para pelarse. Cuando alcance esta temperatura, comience a levantarla con movimientos suaves y uniformes, utilizando la espátula que mejor se acomode a sus necesidades.

Las espátulas y las cuñas están a su disposición con costo extra con su distribuidor Black & Decker. Por supuesto que puede conseguir una gran variedad de espátulas en cualquier ferretería.) Si la pintura está suficientemente caliente y la espátula se adecúa a la superficie por pelar, la pintura se deberá levantar en una tira con el mismo ancho que el de la espátula. Mueva ligeramente la unidad por delante de la espátula para asegurarse que la pintura que va a levantar se haya suavizado.

Se pueden lograr mejores resultados si se mueve la pistola de calor de manera lenta pero **CONSTANTE**, de lado a lado, para distribuir el calor uniformemente.

NO SE DETENGA EN UN SOLO PUNTO.

Recuerde que las astillas y las partículas de pintura se pueden encender e introducir por orificios y cuarteaduras de la superficie que se está pelando.

Recomendaciones útiles para levantar pintura

Se puede levantar la pintura de manera uniforme y sin dañar la superficie con una cuña como la que se ilustra en la figura 2.

El calentar de manera prolongada algunos tipos de pinturas hará que sean más difíciles de remover. Haga pruebas con diferentes tiempos de calentamiento hasta que encuentre el que mejor se acomode a esa aplicación en particular.

La pistola de calor está diseñada para remover pinturas con base de aceite y con base de látex.

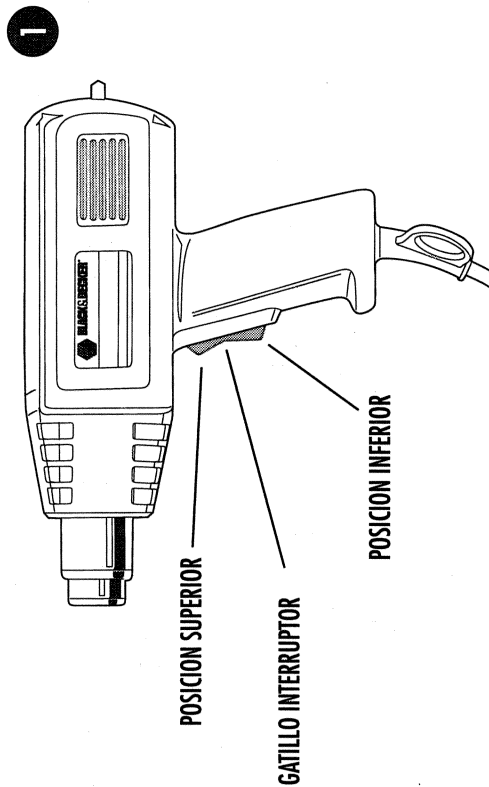
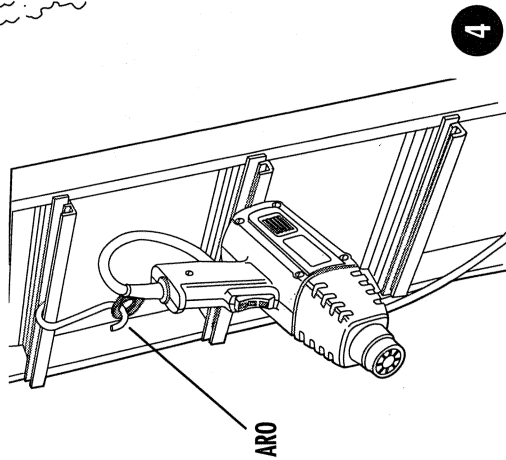
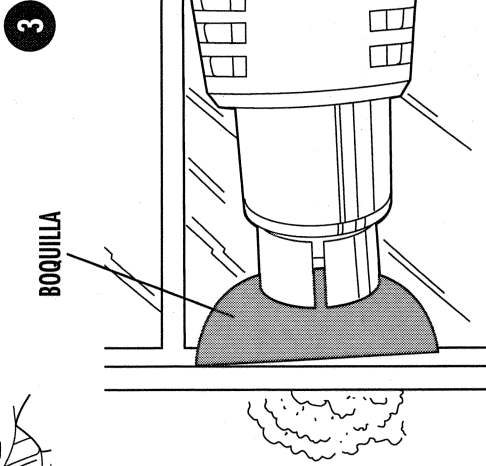
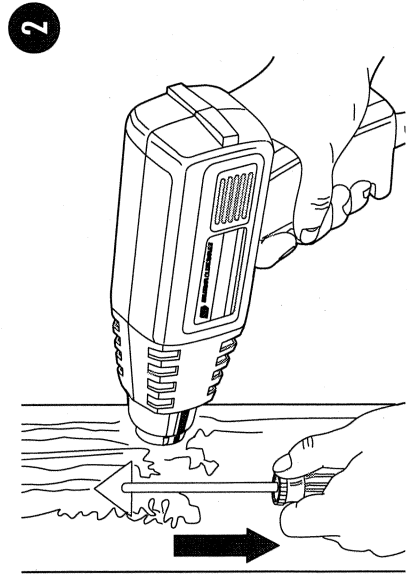
NO REMOVERA MANCHAS NI CAPAS DE PINTURA BASE QUE SE HAYAN IMPREGNADO EN EL GRANO DE LA MADERA.

Levante la pintura tan pronto como se suavice, se enfriará rápidamente y se endurecerá de nuevo.
 Limpie el borde de su espátula con frecuencia para conservarlo limpio y afilado.

Proteja las áreas adyacentes a la zona que esté pelando. Por ejemplo: cubra la puerta con materiales no inflamables si está pelando el marco de la puerta.

No concentre el calor de la herramienta en una ventana u otra superficie de cristal. El calor excesivo puede romper el vidrio. Utilice algún material no inflamable para proteger el vidrio cuando vaya a levantar la pintura del marco de una ventana. Hay a su disposición con costo extra una boquilla especial para marcos de ventanas, figura 3. Se incluye una lista completa de los accesorios para esta herramienta en este manual.

Utilice el aro para colgar la herramienta cuando no la utilice. Observe la figura 4. Esto conservará la herramienta a la mano y evitará que la boquilla caliente haga contacto con cualquier objeto.



Otros usos

Además de levantar pintura, su pistola de calor tiene una gran variedad de usos. Utilícela para suavizar linóleoum y recubrimientos para pisos, y para aflojar adhesivos sensitivos al calor. Es perfecta para usarse con tubería encogible y dondequiera que necesite una fuente de calor portátil. La puede usar también para descongelar tuberías metálicas (de agua).

Evite sobrecalentar los materiales inflamables adyacentes como madera, aislamientos, cableado eléctrico y plásticos. Solamente descongele las secciones de tubería que estén completamente expuestas. No intente descongelar tuberías que estén dentro de muros, pisos, techos o que estén encerrados de alguna otra manera. No intente descongelar tuberías envueltas en material aislante.

En realidad existen muchos usos para su pistola de calor. Experimente con ella y si le encuentra alguna utilidad particular, háganoslo saber, (envíenos una carta a la dirección señalada en la contraportada), no encantará tener noticias de usted.

Alimentación de corriente

Asegúrese que su alimentación de corriente concuerde con la marcada en la placa de identificación de la unidad. 120 volts AC significa corriente alterna (corriente doméstica normal de 120 volts, a 60 ciclos).

Todas las herramientas B&D se prueban en la fábrica. Si esta herramienta no funciona, revise la alimentación de corriente.

Limpeza y lubricación

Utilice solamente jabón suave y un trapo húmedo para limpiar la herramienta. Nunca permita que lleguen líquidos al interior de la herramienta; nunca sumerja ninguna parte de la unidad en ningún líquido.

Se han empleado baleros autolubrificantes en la fabricación de su herramienta; por tanto no se requiere de relubricación periódica. En el remoto caso de que su unidad requiera servicio, encontrará las direcciones de los Centros de Servicio empacadas con su herramienta.

Importante

Para garantizar la **SEGURIDAD** y **CONFIABILIDAD** del producto, deberán hacerse reparaciones, mantenimiento y ajustes (incluyendo inspección y reemplazo de carbones) por centros de servicio autorizados u otras organizaciones de servicio calificadas, que empleen siempre refacciones idénticas.

Accesorios

Dispone usted de los accesorios recomendados para su herramienta (con cargo extra) con su distribuidor local o en su centro de servicio autorizado. Se incluye una lista completa de los centros de servicio con su herramienta. Si necesita ayuda para encontrar algún accesorio, por favor haga contacto con cualquiera de nuestros distribuidores o centros de servicio autorizados.

Los accesorios recomendados para su removedor de pintura y pistola de calor están enlistados a continuación.

PRECAUCION: El uso de cualquier accesorio no recomendado para emplearse con esta herramienta puede ser peligroso.

POLIZA DE GARANTIA

IDENTIFICACION DEL PRODUCTO:

Sello o firma del Distribuidor: _____

Nombre del producto: _____ Mod/Cat.: _____

Marca: _____ Núm. de serie: _____

(Datos para ser llenados por el distribuidor)

Fecha de compra y/o entrega del producto: _____

Nombre y domicilio del distribuidor donde se adquirió el producto: _____

Este producto está garantizado por dos años a partir de la fecha de entrega, contra cualquier defecto en su funcionamiento, así como en materiales y mano de obra empleados para su fabricación. Nuestra garantía incluye la reparación o reposición del producto y/o componentes sin cargo alguno para el cliente, incluyendo mano de obra, así como los gastos de transportación razonablemente erogados derivados del cumplimiento de este certificado.

Para hacer efectiva esta garantía deberá presentar su herramienta y esta póliza sellada por el establecimiento comercial donde se adquirió el producto, de no contar con ésta, bastará la factura de compra.

EXCEPCIONES.

Esta garantía no será válida en los siguientes casos:

- Cuando el producto se hubiese utilizado en condiciones distintas a las normales;
- Cuando el producto no hubiese sido operado de acuerdo con el instructivo de uso que se acompaña;
- Cuando el producto hubiese sido alterado o reparado por personas distintas a las enlistadas al final de este certificado.

Anexo encontrará una relación de sucursales de servicio de fábrica, centros de servicio autorizados y franquiciados en la República Mexicana, donde podrá hacer efectiva su garantía y adquirir partes, refacciones y accesorios originales.

Este producto no ha sido diseñado para uso comercial.

Todas las herramientas Black & Decker son de la mejor calidad. Si desea comunicarse con nosotros en relación con este producto, por favor llame sin costo para usted entre las 8:00 a.m. y las 6:00 p.m. de lunes a viernes.

91-800-701-28

IMPORTADO: BLACK & DECKER S.A. DE C.V.
AVE CENTRAL 186 COL. NVA. IND.
VALLEJO C.P. 07700 MÉXICO, D.F.
TEL 747-95-00

Para servicio y ventas consulte
"HERRAMIENTAS ELECTRICAS"
en la feccion amarilla.



YOUR POWER TOOLS MAY BE SERVICED AT THE FOLLOWING B&D SERVICE CENTERS.

ALABAMA: Birmingham 36209, 2412 Green Springs Hwy.	205-942-0538
Mobile 36608, 3831 Airport Blvd.	205-343-6624
ALASKA: Anchorage 99518, 910 West International Airport Rd.	907-563-4664
ARIZONA: Mesa 85202, 535 S. Dobson, Suite 7.	602-461-1074
Phoenix 85013, 4501 N. 7th Avenue.	602-279-6414
Tucson 85712, 4845 E. Speedway Blvd.	602-323-3388
ARKANSAS: Little Rock 72201, 519 W. Seventh St.	501-372-3040
CALIFORNIA: Anaheim 92806, 540 South State College Blvd.	714-772-4050
Chula Vista 91910, 309 Broadway.	619-420-6350
Concord 94520, 1500 Monument Blvd., #C2.	510-682-4880
Fresno 93710, 5412 North Blackstone Ave.	209-435-0810
Long Beach 90805, 2011 South St.	310-422-5825
Los Angeles 90040, 4820 South Eastern Ave., Suite "L".	213-720-1834
Riverside 92506, 6215 Magnolia Ave., Suite "B".	909-787-9700
Sacramento 95825, 2033 Fulton Ave.	916-972-9090
San Diego 92123, 9270 Clairemont Mesa Blvd.	619-279-2011
San Jose 95128, 1185 So. Bascom Ave.	408-293-7350
San Leandro 94578, 15206 E. 14th St.	510-276-1610
Van Nuys 91411, 14920 Victory Blvd.	818-787-5531
COLORADO: Denver 80219, 1171 S. Federal Blvd.	303-922-8925
CONNECTICUT: Orange 06477, 481 Boston Post Rd.	203-795-3583
Weathersfield (Hartford) 06109, 662 Silas Bean Hwy.	203-553-5800
DISTRICT OF COLUMBIA: Washington Colmar Manor 20722, 4153 Bladensburg Rd.	301-779-3808
Falls Church, VA 22046, 344 W. Broad St.	703-533-7313
FLORIDA: Ft. Lauderdale 33334, 799 E. Oakland Pk. Blvd.	305-566-5102
Ft. Myers 33907, 5224 Bank Street.	813-278-1188
Jacksonville 32205, 920 Cassat Ave.	904-781-2253
Miami (North) 33168, 13243 N.W. Seventh Ave.	305-681-6658
Miami (South) 33156, 12343 So. Dixie Hwy.	305-232-9497
Orlando 32803, 3807 E. Colonial Dr.	407-894-7011
St. Petersburg 33709, 5635 49th St., N.	813-525-0273
Tampa 33609, 3432 W. Kennedy Blvd.	813-872-8317
West Palm Beach 33415, 310 South Military Trail.	407-689-3247
GEORGIA: Atlanta (South) 30349, 5330 Old National Hwy.	404-762-8944
Smyrna 30080, 2550 Cobb Pkwy.	404-956-0869
Stone Mountain (Atlanta) 30086, 5723 Memorial Dr.	404-282-4714
-HAWAII: Honolulu 96819, 330 Sand Island Access Road.	808-847-7447
ILLINOIS: Des Plaines (Chicago) 60018, 1277 South Elmhurst Rd.	708-364-5220
Linochwood (Chicago) 60846, 6710 N. Crawford Ave.	708-673-0823
Liste (West Chicago) 60532, 2950 Ogden Ave., Unit H.	708-717-1075
Moline 61265, 4433 22nd Ave.	309-762-3000
Oak Lawn (Chicago) 60453, 6343 W. 95th St.	708-423-7212
Waukegan 60085, 39 S. Greenbay Rd.	708-249-4390
INDIANA: Evansville 47710, 307 First Ave., Crescent Cir.	812-425-4266
Hammond 46323, 7103 Kennedy Ave.	219-845-5100
Indianapolis 46224, 5999 Crawfordsville Rd.	317-243-8308
IOWA: Des Moines 50310, 3427 Merle Hay Rd.	515-270-1340
KANSAS: Wichita 67213, 155 S. West St.	316-943-1271
KENTUCKY: Louisville 40213, 5211 Preston Hwy.	502-968-7100
LOUISIANA: Baton Rouge 70815, 11859 Florida Blvd.	504-272-8111
Harvey 70058, 2500 Lapalco Blvd.	504-366-8676
Metairie (New Orleans) 70002, 3504 N. Causeway Blvd.	504-837-2550
Shreveport 71108, 7710-7714 Jewella Rd.	318-688-1553
MARYLAND: Baltimore (East) 21205, 4712 Erdman Ave.	410-485-5550
Baltimore (North) 21030, 29-31 Cranbrook Rd., Cockeysville.	410-666-5966
Baltimore (South) 21122, 8220 Ritchie Hwy., Pasadena.	410-647-8456
Colmar Manor 20722, 4153 Bladensburg Rd.	301-779-3808
MASSACHUSETTS: Brighton (Boston) 02135, 12 Market St.	617-782-6264
Seekonk 02771, 120 Highland Ave.	508-336-6510
MICHIGAN: Grand Rapids 49512, 3040 28th St., S.E.	616-949-8331
Lansing 48917, 3203 W. Saginaw Hwy.	517-323-4181
Warren 48093, 27033 Van Dyke Blvd.	313-756-6711
Westland (Detroit) 48185, 8067 North Wayne Rd.	313-427-1520
MINNESOTA: Bloomington (Minneapolis-St. Paul) 55420, 9517 Lyndale Ave., S.	612-884-9191
MISSOURI: Kansas City 64111, 4324 Main St.	816-531-0629
St. Ann (North St. Louis) 63074, 3637 North Lindbergh Blvd.	314-739-4661
St. Louis 63131, 12852 Manchester Rd.	314-821-8740
NEBRASKA: Omaha 68127, 4225 S. 84th St.	402-592-5666
NEVADA: Las Vegas 89104, 3411 East Charleston Blvd.	702-641-6555
NEW JERSEY: Cherry Hill 08034, 1444 E. Meriton Pike/Rte. 70.	609-429-2822
Little Falls 07424, 1189 U.S. Highway 46.	201-256-9373
Union (School Plains) 07076, 2520 Route #22 East.	908-233-5655
NEW MEXICO: Albuquerque 87110, 5617 Menaul Blvd., N.E.	505-884-1002
NEW YORK: Buffalo 14209, 881 W. Delaware Ave.	716-884-6220
Centerach L.I. 11720, 2061-63 Wildlife Country Rd.	516-737-4706
Elmhurst (New York) 11373, 77-20 Queens Blvd.	718-335-1042
Latham (Albany) 12110, 836 Troy Schenectady Rd.	518-785-1867
Rochester 14623, 2969 W. Henrietta Rd.	716-424-1310
Syracuse 13214, 3485 Erie Blvd., East.	315-446-3086
Westbury L.I. (New York) 11590, 1061 Old Country Rd.	516-997-6140
NORTH CAROLINA: Charlotte 28205, 3007 E. Independence Blvd.	704-374-1779
Greensboro 27407, 3716 High Point Rd.	910-852-1300
Raleigh 27604, 2930 Capital Blvd.	919-878-0357
OHIO: Cincinnati 45241, 2310 E. Sharon Rd.	513-772-3111
Columbus 43227, 5975 E. Livingston Ave.	614-237-0461
Dayton 45409, 2898 S. Dixie Dr.	513-298-1951
Mayfield Heights (East Cleveland) 44124, 5881 Mayfield Rd.	216-449-2770
OHIO (CONT'D): Parma Heights (Cleveland) 44130, 6483 Pearl Road.	216-842-9100
Toledo 43607, 3231 Dorr St.	419-531-8921
OKLAHOMA: Oklahoma City 73106, 1318 Linwood Blvd.	405-232-7515
Tulsa 74145, 3120 S. Sheridan Rd.	918-622-5666
OREGON: Portland 97209, 1640 N.W. Johnson St.	503-228-8631
PENNSYLVANIA: Evan's City 15033, 20808 Rr. 19 North.	412-779-9660
Harrisburg 17112, 6080 Allentown Blvd.	717-545-0651
Lancaster 17601, 118 Keller Ave.	717-393-5251
Philadelphia 19103, 333 N. 20th St.	215-584-5520
Philadelphia (North) 19115, 997-7-81 Bustleton Ave.	215-464-7771
Pittsburgh 15232, 5437 Baum Blvd.	412-362-2700
Whitehall (Allentown) 18052, 2242 MacArthur Rd.	610-435-9544
Wilkes-Barre 18702, 759 Kidder Street.	717-824-5704
PUERTO RICO: Puerto Nuevo.	809-783-3535
RHODE ISLAND: See Seekonk, MA	
SOUTH CAROLINA: Greenville 29607, 1557 Laurens Rd.	803-232-3038
TENNESSEE: Chattanooga 37421, 6231 Penimeter Drive, Space E.	615-894-5957
Knoxville 37917, 4118 N. Broadway.	615-688-0921
Memphis 38116, 1085 East Brooks Rd.	901-332-3444
Nashville 37211, 4811 Nolensville Rd.	615-833-8277
TEXAS: Amarillo 79106, 3008 West 6th Ave.	806-373-1331
Austin 78757, 6549 Burnet Rd.	512-459-1133
Dallas 75229, 2257 Royal Ln.	214-620-6655
El Paso 79915, 6822 Gateway East.	915-778-9789
Fort Worth 76111, 721 North Beach St.	817-831-3828
Garland 75043, 718 W. Centerville Rd.	214-686-9302
Houston 77022, 536 E. Tidwell Rd.	713-692-7111
Houston (S.W.) 77025, 9319 Stella Link Blvd.	713-664-3666
San Antonio 78201, 500 Culebra Ave.	210-732-1221
Webster 77598, 100 East Nasa Rd. One.	713-338-4556
UTAH: Salt Lake City 84115, 1541 S. Third West St.	801-486-5828
VERMONT: Falls Church 22046, 344 W. Broad St.	703-533-7313
Hampton 23666, 3416 W. Mercury Blvd.	804-882-9388
Norfolk 23513, 7631 Sewells Point Rd.	804-680-3333
Richmond 23222, 1424 Chamberlayne Ave.	804-649-9245
WASHINGTON: Seattle 98108, 421 S. Michigan St.	206-763-2010
Spokane 99208, N. 7011 Division St.	509-467-8190
Tacoma 98409, 2602 S. 38th St.	206-473-6040
WEST VIRGINIA: Charleston 25312, 1636 Sixth Ave.	304-343-0289
WISCONSIN: Milwaukee (Wauwatosa) 53226, 10424 West Bluemound Rd.	414-453-4240

**YOUR POWER TOOLS MAY BE SERVICED AT THE FOLLOWING BLACK & DECKER SERVICE DEPOTS.
ON PEUT FAIRE RÉPARER SES OUTILS ÉLECTRIQUES AUX CENTRES DE SERVICE BLACK & DECKER SUIVANTS.**

ALBERTA
Edmonton T6E 6H6, 3845 99th St. 403-462-5005

BRITISH COLUMBIA
Vancouver V5M 3Y7, 1735 Boundary Rd. 604-291-9942

MANITOBA
Winnipeg R3H OK3, 934 St. James St. 204-783-7294

NOVA SCOTIA
Halifax B3K 2A4, 6100 Young Street. 902-453-5090

ONTARIO
Brockville K6V 5W6, 100 Central Ave. 613-342-6641
Kandla K2L 1V3, 462 Hazeldean Rd #11. 613-831-2332
Glencairn Plaza
London N6E 3A9, 981 Wellington Rd #6. 519-649-2407
Markham L3P 3J3, 9275 Hwy 48 Unit 12/13. 905-472-6168
Mississauga L4X 1L3, 1480 Dundas St. E #7. 905-277-0011
North York M3J 3G5, 48 Kodlak Cres. 416-635-6740

QUEBEC
Brossard J4W 1M6, 5840 Boul Taschereau. 514-462-4881
Montreal H1Y 1B4, 3061 Belanger. 514-722-1021

**FOR ADDITIONAL SERVICE LOCATIONS CALL: 1-800-762-6672
POUR OBTENIR D'AUTRES ADRESSES DE SERVICE, COMPOSER LE : 1 800 762-6672**

PARA REPARACION Y SERVICIO DE SUS HERRAMIENTAS ELECTRICAS FAVOR DE DIRIGIRSE AL CENTRO DE SERVICIO MAS CERCANO

COATZACOLCOS Av. Ignacio de la Llave 213 Local C. (91-921) 200-22	MERIDA Calle 63 #459. (91-99) 23-54-90	SAN LUIS POTOSI Pedro Moreno No. 408, Fracc. La Victoria. (91-48) 14-25-67
CULIACAN Av. Nicolas Bravo, #1063 Sur. (91-671) 242-10	MONTERREY Av. Francisco I Madero Pe. 1820-a. (91-83) 72-11-25	TORREON Bld. Independencia, 96 Pe. (91-17) 16-52-65
GUADALAJARA Av. La Paz, # 417. (91-36) 25-69-78 Belisario Dominguez, 1716-A. (91-36) 37-89-13	NAUCALPAN Abasolo 35 Local "C". 358-8739	VALLEJO Av. Central 186 Esq. Jupiter. 586-9033
LEON Polara #32. (91-471) 314-56	PUEBLA 17 Norte No. 20572000. (91-22) 46-90-20	VERACRUZ Prolongacion Diaz Miron #4820. (91-29) 21-70-16
	QUERETARO Av. Madero 139 Pe. (91-42) 14-16-60	VILLAHERMOSA Zaragoza #105. (91-931) 251-11

PARA OTRAS LOCALIDADES DE SERVICIO LLAME: 915-752-1024

369600-01