



Instruction Manual

SweepStick™ Cordless Broom 82460

Important

To assure product SAFETY and RELIABILITY, repairs, maintenance and adjustments should be performed by Black & Decker Service Centers or other qualified service organizations, always using Black & Decker replacement parts.

Warranty

Black & Decker (U.S.) Inc. warrants this product for one year from the date of purchase. We will repair without charge, any defects due to faulty material or workmanship. Please return the complete unit, transportation prepaid, to any Black & Decker Service Center or Authorized Service Station listed under "Tools Electric" in the yellow pages. This warranty does not apply to accessories or damage caused where repairs have been made or attempted by others.

Like most Black & Decker tools, this tool is listed by Underwriters Laboratories to ensure that it meets stringent safety requirements. This symbol on the nameplate means the product is listed by Underwriters Laboratories, Inc.



See 'Tools-Electric'
-Yellow Pages-
for Service & Sales

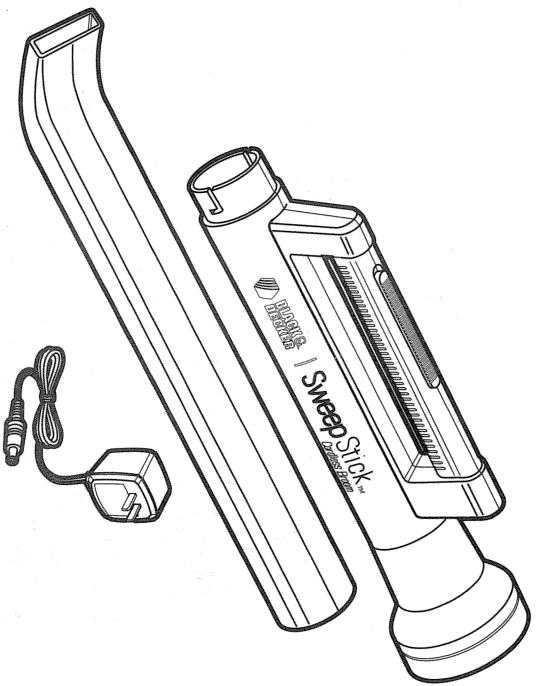
Every Black & Decker tool is of the highest quality. If you wish to contact us regarding this product, please call toll free between 8:00 a.m. and 5:00 p.m. EST, Monday through Friday.
1-800-762-6672



BLACK&DECKER[®]

Black & Decker (U.S.) Inc., U.S. Power Tools Group, 10 North Park Drive, P.O. 798, Hunt Valley, MD 21030-0789

Form No. 741541
©1989 Black & Decker
Printed in U.S.A.
(MAY89-CD-4)



Thanks for Buying a Black & Decker SweepStick™ Cordless Broom

If you already own a Black & Decker Power Tool you know the pleasure a quality, high performance tool can deliver.

Your new Cordless Broom is built in that same tradition that has kept Black & Decker the most respected name in power tools for over seventy years.

Your SweepStick Cordless Broom is the perfect tool for cleaning the patio, deck, driveway, sidewalk, or wherever light debris accumulates. It's great for getting into corners and under tables and chairs and it's just

super for cleaning out the garage.

Take a few minutes to read this informative instruction manual. Pay particular attention to the safety instructions we've provided for your protection.

We want you to enjoy your Black & Decker tool and the more you know about it and its capabilities, the happier you'll be with it.

Thanks for selecting Black & Decker!
Don't forget to send in your owner's registration card.

Notes



IMPORTANT SAFETY INSTRUCTIONS

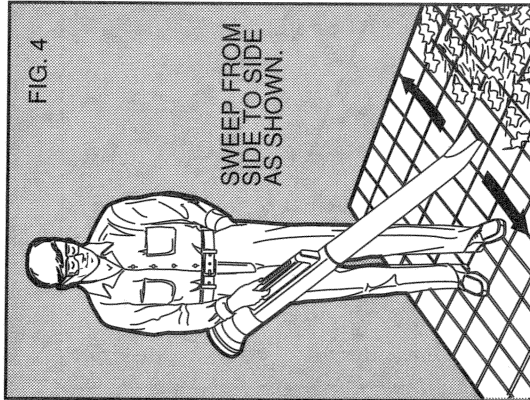
Important Safeguards

When using electrical appliances basic safety precautions should always be followed including the following:

1. READ ALL INSTRUCTIONS CAREFULLY - before using the unit.
2. CLOSE SUPERVISION IS NECESSARY - when any appliance is used by or near children.
3. TO PROTECT AGAINST RISK OF ELECTRICAL SHOCK - Do not put charger in water or other liquid.
4. DO NOT OPERATE in the presence of explosive and/or flammable fumes.
5. DO NOT OPERATE ANY APPLIANCE with a damaged cord or plug or after the appliance malfunctions, or is dropped or damaged in any manner. Return appliance to the nearest authorized service facility for examination, repair or electrical or mechanical adjustment.
6. DO NOT USE CHARGER OUTDOORS.
7. DO NOT abuse the cord. Never carry charger and base by cord or yank it to disconnect the charger from an outlet.
8. DO NOT LET THE CORD of the charger hang over the edge of table or counter or touch hot surfaces. Unit should be mounted or placed away from sink and hot surfaces.
9. DO NOT use an extension cord. Plug charger directly into an electrical outlet.
10. DO NOT attempt to use this charger with any other product. Likewise, DO NOT attempt to charge the tool with any other charger.
11. Do not place nozzle or outlet of tool near eyes or ears when operating.
12. Use on dry materials only. Do not expose the SweepStick Cordless Broom to rain.
13. Don't overreach or stand on unstable support. Keep good footing and balance at all times.
14. Maintain unit with care. Keep nozzle and fan area clean for best and safest performance. Follow instructions for proper maintenance.
15. WORKING POSITION - Maintain proper footing and balance and try not to overreach. Wear safety goggles and gloves when working. Hold the tool firmly and turn the tool "ON". Use extra care when working on ladders.
16. Do not use on burning materials such as lit cigarette butts or hot fireplace ashes.
17. Store idle unit indoors. When not in use, the tool should be stored indoors in a dry place out of reach of children.
18. THIS APPLIANCE IS INTENDED for residential use only and not for commercial or industrial use.
19. MAINTENANCE AND SERVICE
 - UNPLUG the charger from the outlet before attempting any routine cleaning or maintenance of the charger.
 - DO NOT try to repair the unit or charger yourself. Take it to a Black & Decker Service Center or Authorized Service Center.
 - DO NOT operate a damaged charger. Have damaged cords or charger replaced immediately.
 - DO NOT incinerate the tool even if it is severely damaged. The batteries can explode in a fire.
20. DO NOT INSERT or allow foreign objects to enter this unit.
21. KEEP BYSTANDERS AT A SAFE DISTANCE; especially children.
22. NEVER USE AS A TOY to launch projectiles.

SAVE THESE INSTRUCTIONS

Always be aware of the position of the rear intake of the tool. Branches, light debris and loose clothing can be sucked into the tool and exit the output end at very high velocity.



Preventing Corrosion

Fertilizers and other garden chemicals contain agents which greatly accelerate the corrosion of metals. Do not store the tool on or adjacent to fertilizers or chemicals.

Cleaning

Use only mild soap and a damp cloth to clean the tool. Many household cleaners contain chemicals which could seriously damage the plastic. Also, do not use gasoline, turpentine, lacquer or paint thinner, dry cleaning fluids or similar products. Never let any liquid get inside the tool; never immerse any part of the tool into a liquid.

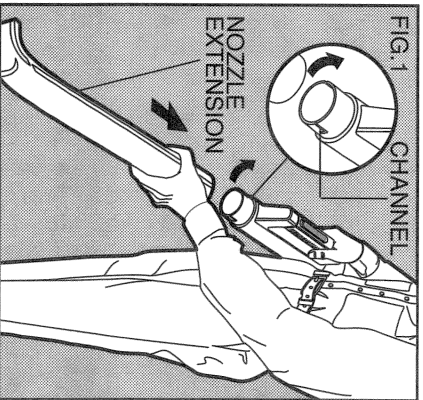
Lubrication

Self-lubricating bearings are used in the tool and periodic relubrication is not required.

Attaching Nozzle Extension

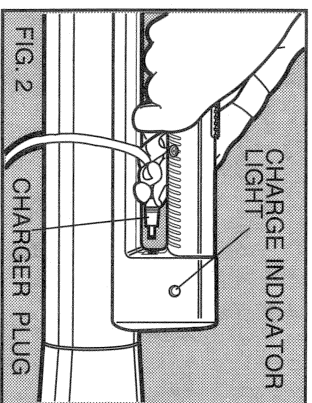
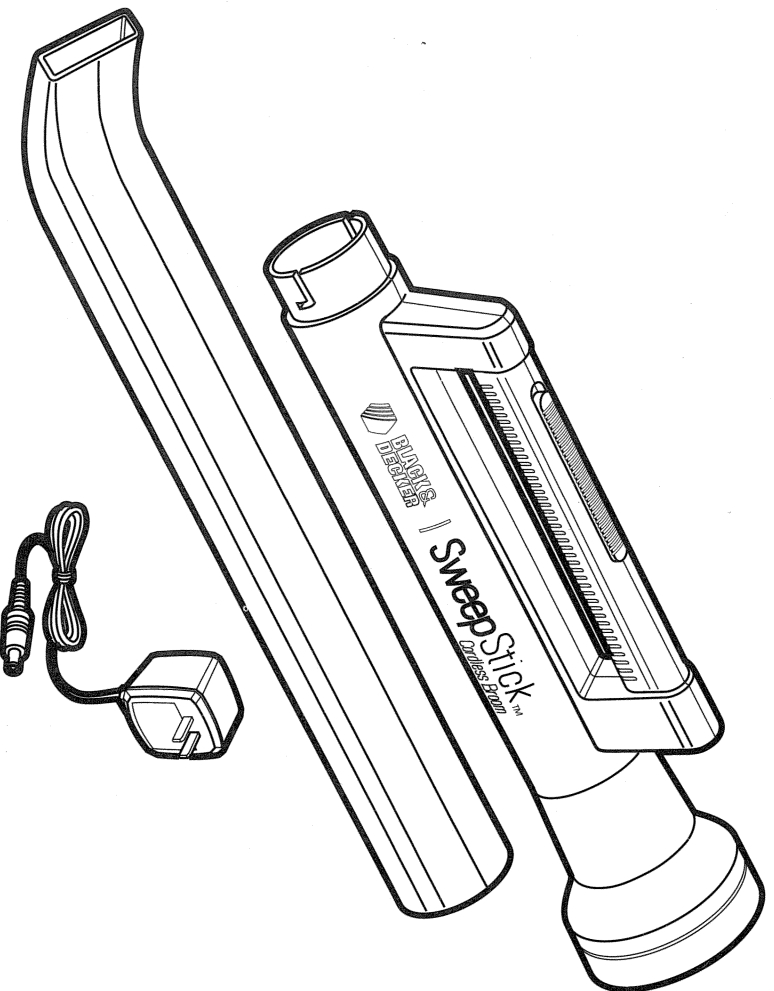
The nozzle extension attaches to the handle tube as shown in Figure 1. Orient the extension so that the two posts on the inner surface align with the channels in the handle tube, as shown in the figure. Slide the extension onto the handle tube and twist it clockwise as the posts near the end of their travel. When you twist the extension into place you will feel a soft "click" as it locks into position.

The nozzle extension can be installed with the nozzle pointing up or down. Most cleaning applications will require that the nozzle be pointed up (the natural angle of the assembled tool causes the nozzle to point forward along the ground when assembled in the up direction). If assembled pointing down, the angle of the tool will cause the unit to blow directly down on the ground scattering debris in all directions.



Charging Procedure

1. Plug the charger output plug into the charging socket in the tool's handle, as shown in Figure 2. Plug the input plug into a standard 120 volt 60 Hz wall outlet. The batteries are now on charge. The Charge



Indicator Light shown in Figure 2 will glow indicating that the batteries are charging.

2. The tool is designed to remain on charge at all times when it's not in use. The batteries require approximately 16 hours to fully charge after being completely depleted, but will reach 60% charge in about 6 hours.

Charging Notes

The SweepStick Cordless Broom was shipped from the factory in an unchanged condition. Charge it for a full 16 hours before using for the first time.

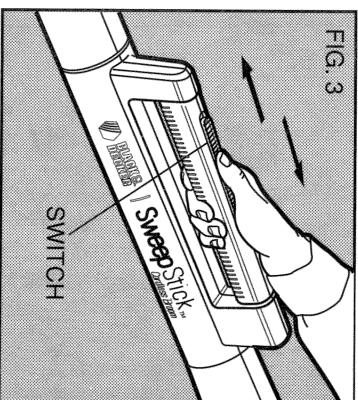
The exposed end of the charging output cord and the exposed metal portion of the charging socket in the tool are not hazardous to touch. Touching them is like handling flashlight batteries. Longest life and best performance can be obtained if the tool is used often and the batteries are charged at normal room temperatures.

When charging, the charger will become warm to the touch. This is normal.

Switch

The extra long switch slider allows you to hold the tool all along the handle for control in all situations.

To turn the tool on, slide the switch, shown in Figure 3, forward. The switch is spring loaded off so that you will have to hold it in the forward position to operate the tool. There is no provision to lock the tool on. To turn the tool off, release the switch.



Operation

Hold the tool in one hand, as shown in Figure 4. Turn it on and, with the end of the nozzle about 1/2"-1" above the ground, sweep the tool back and forth in an arc to move light debris (leaves, grass, dirt, etc.) as shown in Figure 4.

To remove matted down debris use end of nozzle extension to scrape debris loose until it can be lifted by the air stream.

ALWAYS WEAR SAFETY GLASSES AND BE SURE THAT OTHERS STAY WELL CLEAR OF THE WORK AREA.

For close order work or other places where the nozzle extension makes the tool too long to be practical, the extension can be removed by reversing the assembly procedure.

WHEN USING THE SWEEPSTICK CORDLESS BROOM WITHOUT THE NOZZLE EXTENSION BE EXTREMELY CAREFUL AND ALWAYS WEAR EYE PROTECTION. Remember that, without the nozzle extension, you are much closer to the output end of the tool.