

## EDGE & MITRE GUIDE

The Edge and Mitre Guide Black & Decker No. 79-698 (available at additional cost) can also be used in place of the fence for making bevel and square cuts with your Planer Stand. It is adjustable from 0 to 45°. With the switch off and the unit unplugged install the Edge and Mitre Guide. Adjust it to the desired planing width by aligning it with the numbers on the bottom of the Planer. Tighten the Edge and Mitre Guide Lock Knob.

When making a bevel cut adjust the Mitre Angle by loosening the two knobs on opposite ends of the guide and moving the adjustable plate until the desired angle is displayed in the window. (see figure 13) Tighten the two knobs on opposite ends of the guide. You are now ready to make your bevel cut. It may be necessary to make several cuts before desired width bevel is achieved.

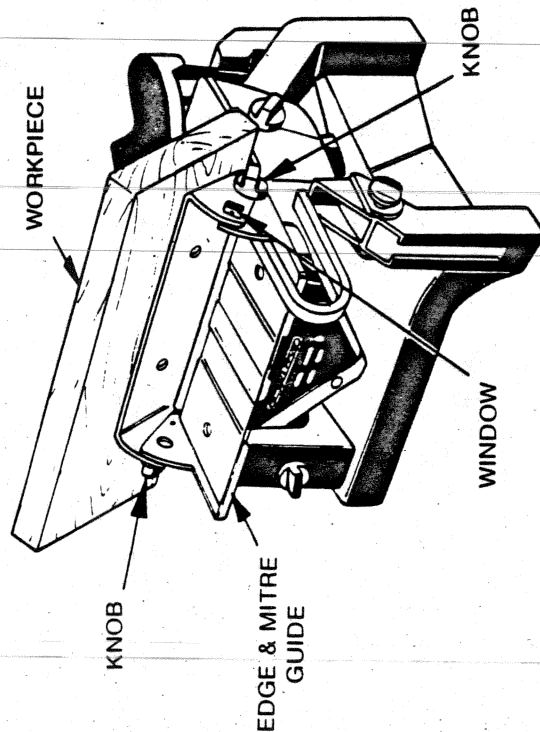
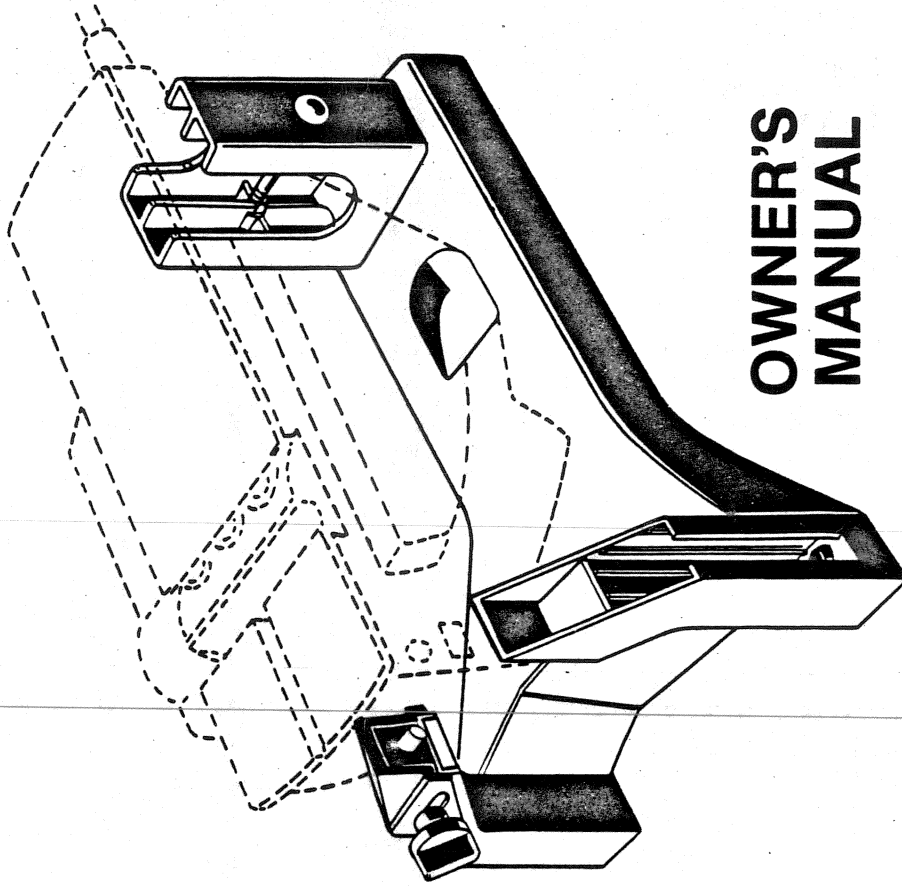


FIGURE 13



**Black & Decker**



**OWNER'S  
MANUAL**

# No. 79-695 PLANER STAND

**BLACK & DECKER (U.S.) INC.**  
**CONSUMER ACCESSORY DIVISION**  
500 HANOVER PIKE, HAMPSTEAD, MD 21074

# GENERAL SAFETY INSTRUCTIONS FOR PLANER STAND

1. Read entire Owner's Manual before operating and follow instructions in Planer Owner's Manual.
2. Wear eye protection.
3. Do not operate without guard in place.
4. Before operating: with switch off and unit unplugged, check guard for proper operation. Replace damaged guard before operating.
5. Never use the Planer Stand unless it is firmly mounted or clamped to your work surface.
6. Be sure the Planer is correctly and securely mounted in the base assembly before turning it on.
7. Always use fence.
8. Keep hands and fingers away from blades.
9. When Planing workpiece thinner than 3" (76mm), do not place hand over blades when feeding and use push stick when approaching end of pass.
10. Replace front handle on Planer after removing from stand.

## SAFETY RULES FOR POWER TOOLS

1. KEEP WORK AREA CLEAN. Cluttered areas and benches invite accidents
2. AVOID DANGEROUS ENVIRONMENT. Don't expose power tools to rain. Don't use power tools in damp or wet locations. Keep the work area well lit.
3. KEEP CHILDREN AWAY. All visitors should be kept at a safe distance from the work area.
4. STORE IDLE TOOLS. When not in use, tools should be stored in a dry and high or a dry and locked-up place - out of the reach of children.
5. DON'T FORCE TOOL. The tool does the job better and safer at the rate for which it was designed.
6. USE RIGHT TOOL. Don't force a small tool or attachment to do the job of a heavy duty tool.
7. WEAR PROPER APPAREL. Don't wear loose clothing or jewelry that can get caught in moving parts.
8. USE SAFETY GLASSES. Use safety glasses with most tools. Also use a face or dust mask if the cutting operation is dusty.
9. DON'T ABUSE CORD. Never carry the tool by the cord or yank the cord to disconnect it from a receptacle. Keep the cord from heat, oil, and sharp edges.
10. SECURE WORK. Use clamps or a vise to hold the workpiece. It's safer than using your hand and it frees both hands to operate the tool.

## USING THE PLANER STAND

Make certain stand is secure. With switch off and unit unplugged, be sure guard is in place and operational. Set fence to desired width (numbers on Planer Base are in millimeters). Adjust Planer for desired depth of cut (see Planer Owner's Manual for Instructions).

Plug in the Planer and lock it on using the switch locking button. Feed the wood smoothly across the base of the Planer at a steady rate. As you feed the wood, press down with one hand to keep it flat against the Planer base plate, as shown in figure 11. **CAUTION: IF THUMB IS USED TO PUSH END OF WOOD, BE SURE TO KEEP THUMB WELL ABOVE PLANER BASE PLATE TO AVOID CONTACT WITH CUTTERS.**

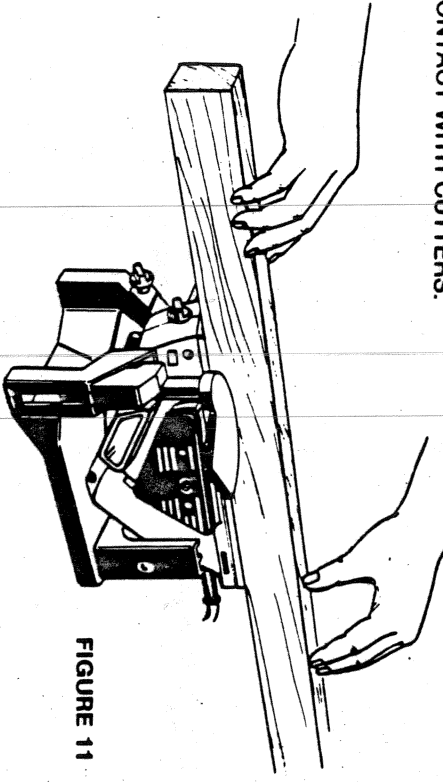


FIGURE 11

When planing wood thinner than 3" (76mm) do not place hand over blades when feeding. When the end of the piece of wood you are planing reaches the front edge of the Planer base plate, STOP. Do not use thumb to push end of wood. Use a push stick from this point on to move the wood across the Planer, as shown in figure 12. Failure to use a push stick may result in a hazardous condition.

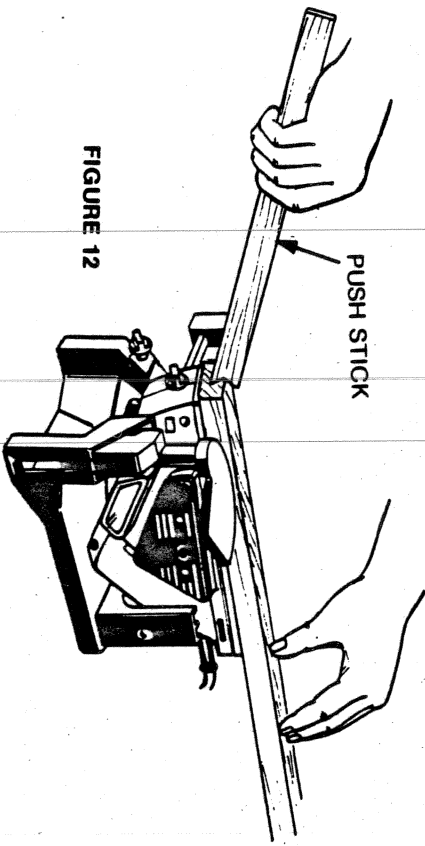


FIGURE 12

## SET UP PROCEDURE

1. Loosen the two knobs on the Base Assembly shown in figure 3.
  2. Slide the moving front jaw (see Figure 4) all the way to the side of the Base Assembly.
  3. Install the Planer into the Base Assembly and align it so that:
    - a. The top of the handle fits into the bottom pocket of the Base Assembly.
    - b. The rear of the handle fits into the rear clamp of the Base Assembly.
    - c. The pins on the front jaw of the Base Assembly align with the holes in the front of the Planer.
  4. Slide the moveable front jaw so that its pin engages the hole in the front of the Planer.
  5. Tighten both knobs. (One in rear clamp and one in front jaw.) The Planer and Stand should now look like figure 8.
  6. Insert the Guard Assembly as shown in figure 9. Push the Guard Assembly down until it snaps into place.
- CAUTION: DO NOT OPERATE UNIT WITHOUT GUARD IN PLACE.**
7. To complete the Planer Stand, install the Fence as follows: (See figure 10.)
    - a. Slide the rectangular bar into the mating hole near the front of the Planer.
    - b. Install and securely tighten the lock knob. (found in carton).

**NOTE:** With fence installed, maximum cutting width is 3" (76mm).

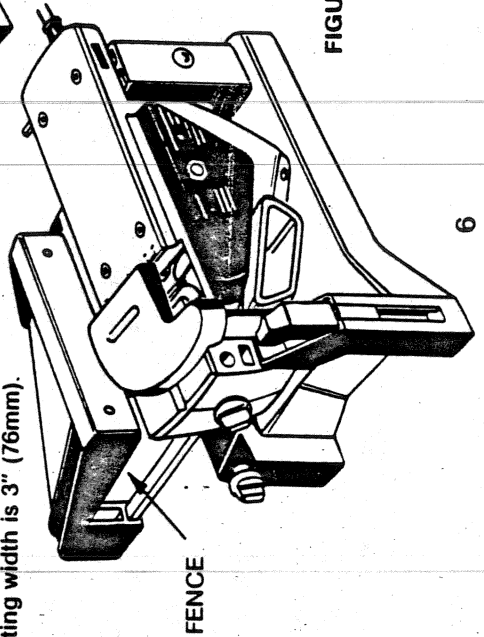


FIGURE 10

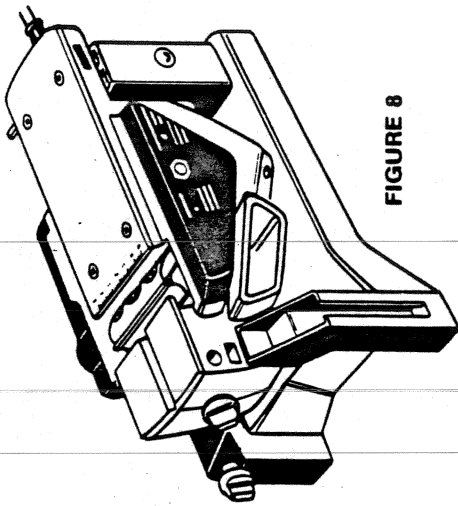


FIGURE 8

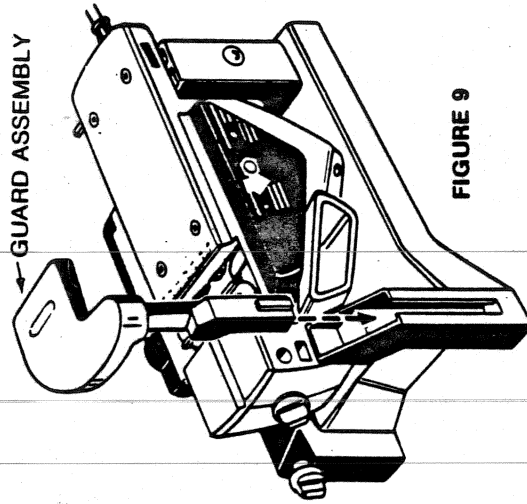


FIGURE 9

## SAFETY RULES FOR POWER TOOLS Continued

11. **DON'T OVERREACH.** Keep proper footing at all times.
12. **MAINTAIN TOOLS WITH CARE.** Keep tools sharp and clean at all times for the best and safest performance. Follow instructions for changing accessories.
13. **DISCONNECT TOOLS.** When not in use, before servicing, and when changing accessories such as blades, bits, cutters, etc., disconnect the tool from the power receptacle.
14. **REMOVE ADJUSTING KEYS AND WRENCHES.** Form the habit of checking to see that keys and adjusting wrenches are removed from the tool before turning the tool on.
15. **AVOID ACCIDENTAL STARTING.** Don't carry a plugged-in tool with your finger on the switch. Be sure the tool is off when plugging it in.
16. **OUTDOOR USE OF EXTENSION CORDS.** When a tool is used outdoors, use only extension cords suitable for outdoor use, and so marked.
17. **DO NOT OPERATE** portable electric tools in gaseous or explosive atmospheres. Motors in these tools normally spark, and the sparks might ignite fumes.

## ASSEMBLY

### Preparing The Planer

1. Turn off and unplug the Planer.
2. Using the hex wrench provided with the tool, loosen and remove the front handle screw, as shown in figure 1.
3. Remove and store front handle and screw. These will be needed to reassemble the handle when the Planer is removed from the Stand.

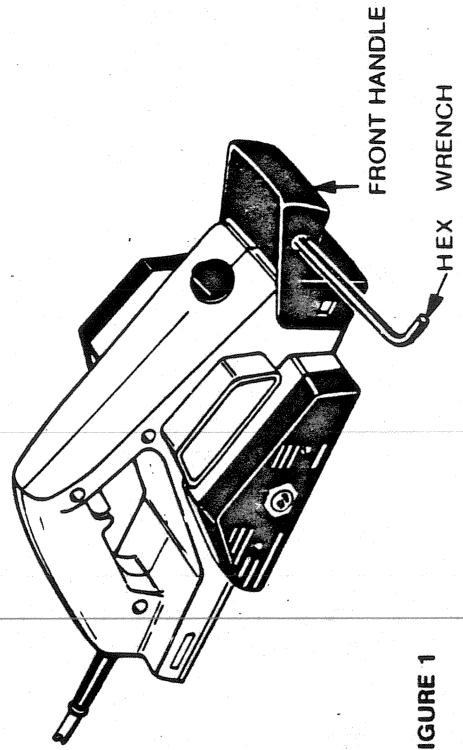


FIGURE 1

## SECURING THE PLANER STAND

The Planer Stand must be secured to ensure cutting accuracy and safe operation. The stand can be secured by one of four methods: (A) directly to the work surface; (B) to a mounting board that is then clamped to the work surface; (C) to a mounting board that is held in a Black & Decker Workmate® Work Center; or (D) to a bench tool stand. Securing methods (B) and (C) permit movement of the stand to other work areas; methods (A) and (D) provide a permanent installation. Whichever securing method you choose, make sure that the stand is securely mounted to prevent movement before you begin any planing operations. Follow the applicable stand securing instructions.

### A. Securing the Planer Stand directly to the work surface (Figure 2).

1. For operating convenience, locate the stand at the front, right corner of the work surface. (Orientation of stand shown in figure 2)
2. Mark, with a pencil, the positions of the three mounting holes in the Base Assembly, as shown in figure 3.
3. Remove the Base Assembly and drill pilot holes for either #12 or #14 wood screws.
4. Re-position the Base Assembly over the three holes and anchor it firmly using three (#12 or #14 x 1 1/2" long) round head wood screws and three flat washers, as shown in figure 4. (Hardware not included.)

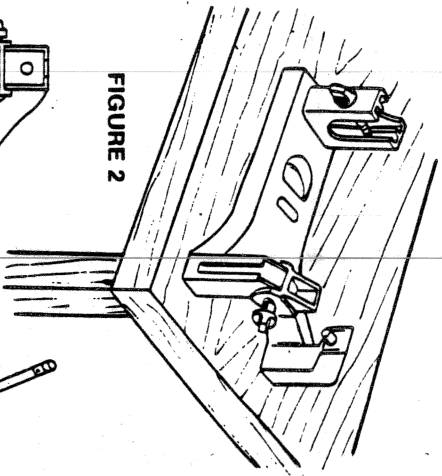


FIGURE 2

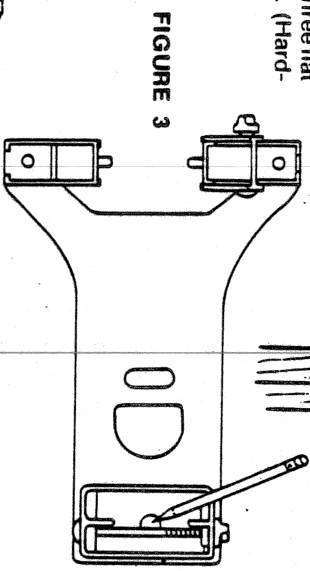


FIGURE 3

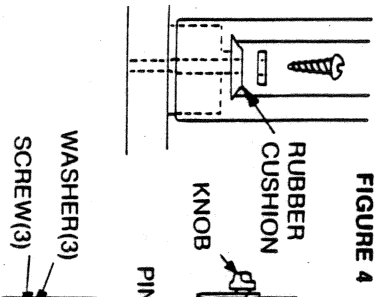
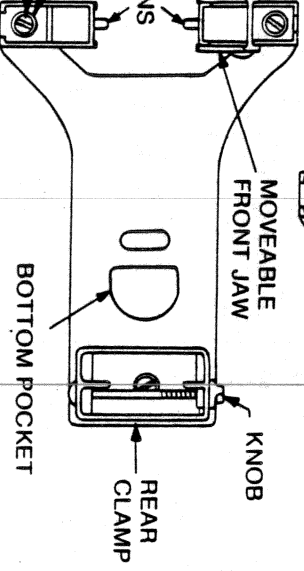


FIGURE 4



### B. Securing the Planer Stand to a mounting board (Figure 5).

1. Obtain a piece of 3/4" plywood 12" by 14" or larger.
  2. Locate base assembly in center of mounting board.
  3. Clamp mounting board to work surface with "C" clamps.
- NOTE: If you elect to use this method, be sure the screws do not protrude through the bottom of the plywood.

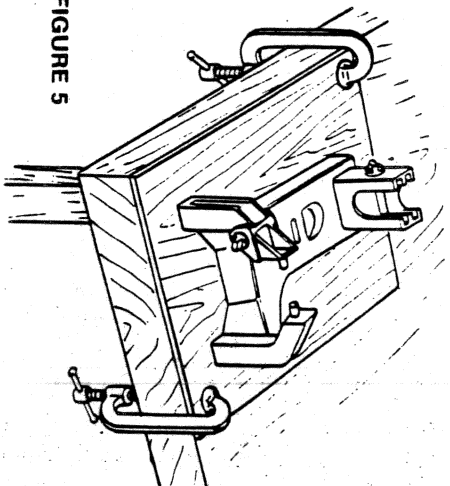


FIGURE 5

### C. Securing the Planer Stand to a mounting board in a Workmate® Work Center (Figure 6).

1. Secure the stand to a mounting board as described in Section B.
2. Bolt a 2" by 2" (2 by 3, or 2 by 4) board down the center of the plywood mounting board.
3. Lock the 2" by 2" board between the jaws of Workmate® Work Center.

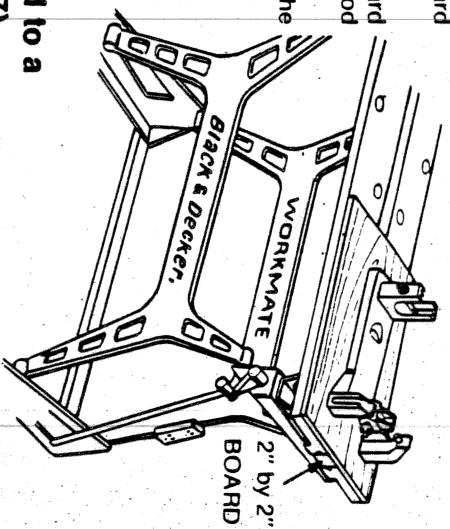


FIGURE 6

### D. Securing the Planer Stand to a bench tool stand (Figure 7).

1. Obtain a Black & Decker Bench Tool Stand Cat. No. 74-550 or similar tool stand.
2. Bolt the Planer Stand to the bench tool stand using 1/2" dia. bolts, flat washers, lock washers and nuts. (Use flat washers under bolt head and under lock washers)

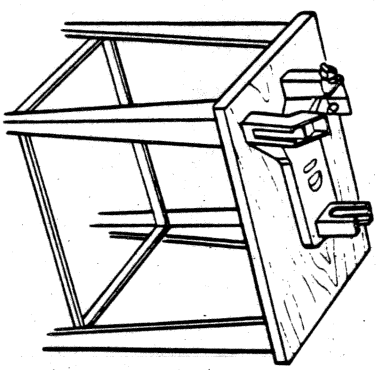


FIGURE 7