

NO. 76-230/52336 (TYPE 3) STRAIGHT & CIRCULAR GUIDE

FOR USE ON CAT. NOS. 7600, 7604, 7610, 7616, 7620, 7625, 7640, 3310 AND 3330 ROUTERS

The STRAIGHT AND CIRCULAR GUIDE is the most popular device used with the Router. It enables the operator to make straight, curved or angular cuts with convenience and accuracy.

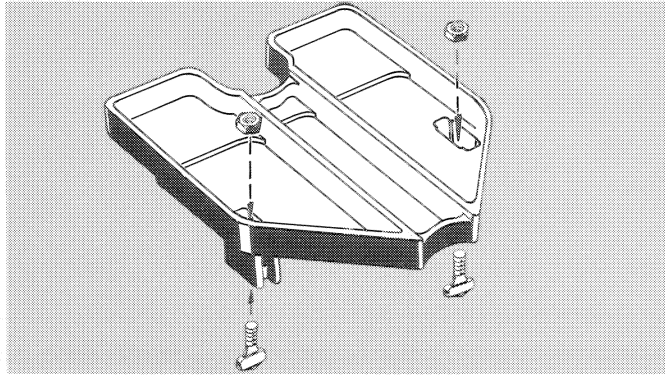


FIGURE 1

TO ASSEMBLE, position nuts and screws as shown in **Fig. 1** and thread screws about two turns into nuts. Do not tighten screws at this point.

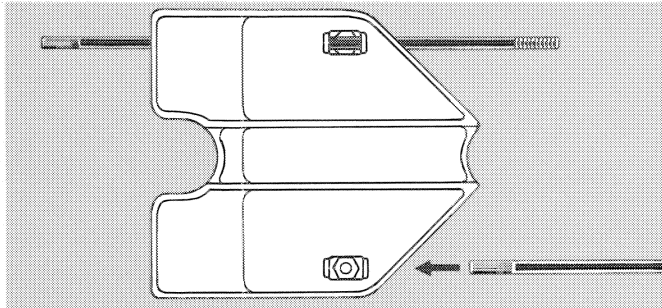


FIGURE 2

Slide rods over nuts as shown in **Fig. 2**. Threaded ends of rods, in relation to Guide, should be either as shown in Figure 4, Figure 5, or Figure 7 depending on method of attachment used. Figures 4 and 7 show the knurled ends of the rods clamped to the Router base. Figure 5 shows the threaded ends of the rods screwed into the Router base.

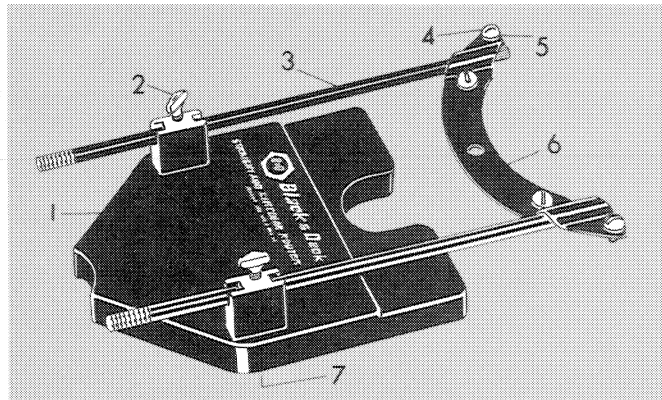


FIGURE 3

PARTS

- | | |
|---------------------------------------|----------------------------------|
| 1 132945 Guide | *5 417 #10 Lockwasher (2) |
| 2 73199 Thumb Screw (2) | *6 38806 Rod Clamp |
| 3 90960 Guide Rod (2) | 7 406 10-32 Hex Nut (4) |
| *4 6123 #10-32 x 1/4 R.H.M. Screw (4) | **8 133521 Clamp (2) (Fig. 7) |
| | **9 36382 Wingscrew (2) (Fig. 7) |

*Not used on 7600, 7604, 7610 (Type 2), 7616, 7620 (Type 2), and 7625 Routers.
 **Use only with 7600 and 7604 Routers.

ATTACHING & ADJUSTING

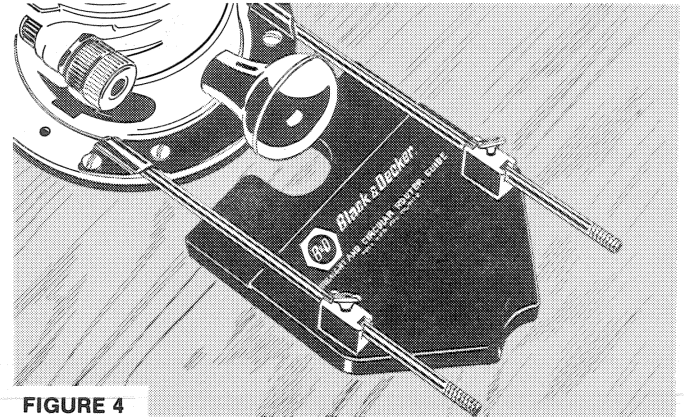


FIGURE 4

ON 7610 (TYPE 1), 7620 (TYPE 1), 7640, 3310 AND 3330 ROUTERS:

Attach Guide Rods as illustrated in **Fig. 4**, with four screws through the rod clamp, firmly tightened to the Router base. With the thumb screws loose, the Guide slides on the Rods to regulate the distance from the edge of the work to the Router Bit. Tighten thumb screws to hold in position.

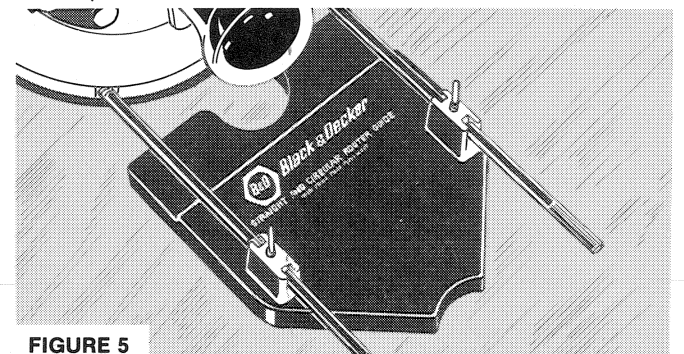


FIGURE 5

ON 7610 (TYPE 2), 7616, 7620 (TYPE 2) AND 7625 ROUTERS:

Attach Guide Rods as illustrated in **Fig. 5** by tightening the threaded ends of the Rods firmly into the Router Base. With the thumb screws loose, the Guide slides on the Rods to regulate the distance from the edge of the work to the Router Bit. Tighten thumb screws to hold in position.

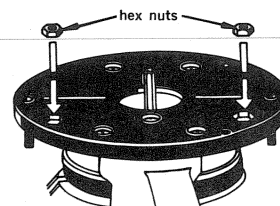


FIGURE 6

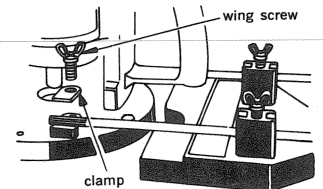


FIGURE 7

ON 7600 AND 7604 ROUTERS:

TO ASSEMBLE GUIDE TO ROUTER BASE PLATE, insert hex nuts into recesses in underside of base plate (Figure 6). Place wing screws and clamps into holes and recesses on top of base plate and start screws into nuts a few turns only. Slide knurled ends of rods into channels under clamps and tighten wing screws (Figure 7).

MAKING STRAIGHT CUTS

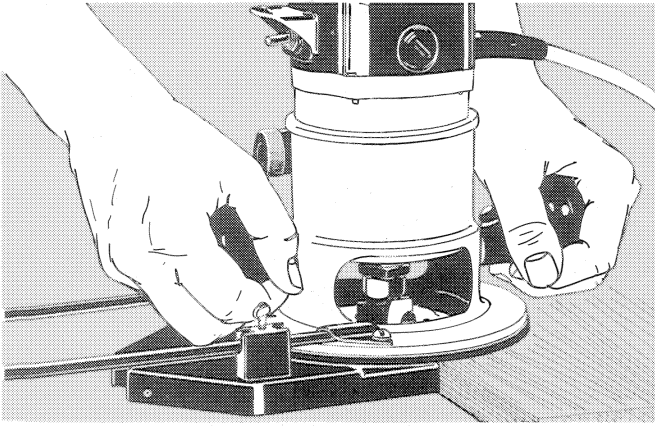


FIGURE 8

When routing along the edge, or parallel to the edge, of straight pieces, hold Guide against the straight edge of the work as the Router is fed along cutting line as in **Fig. 8**.

MEASURING

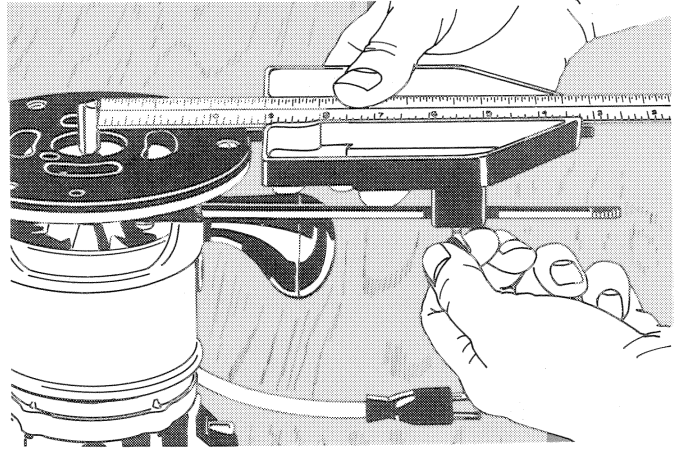


FIGURE 11

For added accuracy, this B&D Router Guide features a slotted recess along its bottom that permits the insertion of a rule or scale for use in adjusting the edge of the guide in perfect relation to the cutting edge of the bit. **Fig. 11** shows how this measurement is made.

MAKING CURVED CUTS

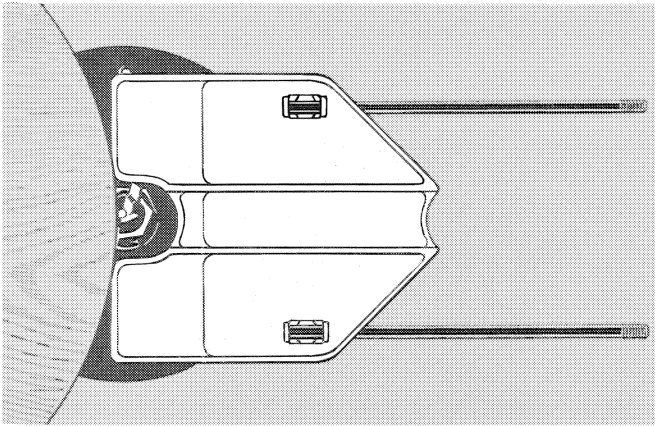


FIGURE 9

To accurately guide the Router along curved or angular edges, use two points of contact against the edge of the material. **Fig. 9** illustrates the operating position to put a decorative edge around a circular tabletop.

ADDING STRAIGHT-EDGE LENGTH

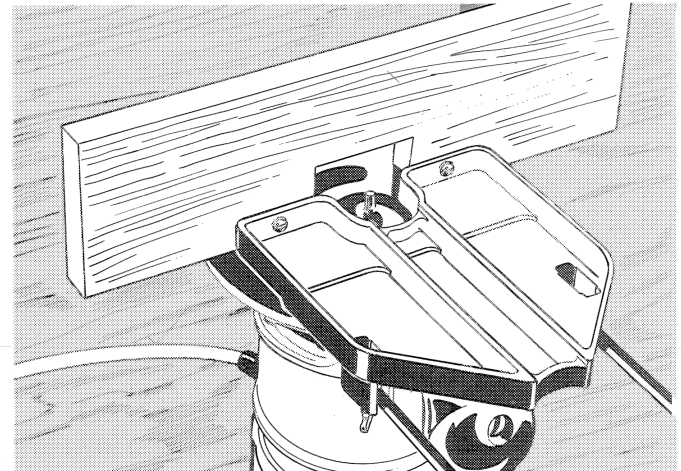


FIGURE 12

There are times when the length of the guide may be insufficient to give the Router ample support. When such is the case a piece of smooth lumber, about 8"-10" long and 2"-3" wide, may be attached to the front end of guide as in **Fig. 12**, using two wood screws. Two holes must be drilled in the straight edge of the guide for this purpose.

MAKING INSIDE CUTS

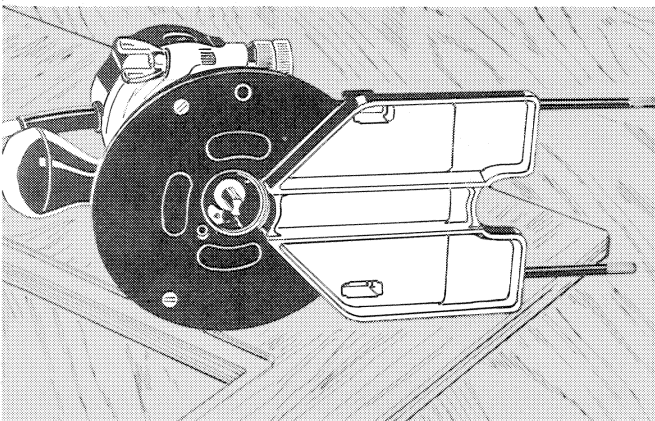


FIGURE 10

To rout along inside edges such as rabbeting for screens, the Straight and Circular Guide is attached in the reverse position as illustrated in **Fig. 10**.