

Instruction Manual

Heat Gun 6751

Warranty

Black & Decker (U.S.) Inc. warrants this product for one year from date of purchase. We will repair without charge, any defects due to faulty material or workmanship. Please return the complete unit, transportation prepaid, to any Black & Decker Service Center or Authorized Service Station listed under "Tools Electric" in the yellow pages. This warranty does not apply to accessories or damage caused where repairs have been made or attempted by others.

Like most Black & Decker products your tool is listed by Underwriters Laboratories to ensure that it meets stringent safety requirements.



This symbol on the nameplate means the product is listed by Underwriters Laboratories, Inc.



See 'Tools-Electric'
—Yellow Pages—
for Service & Sales

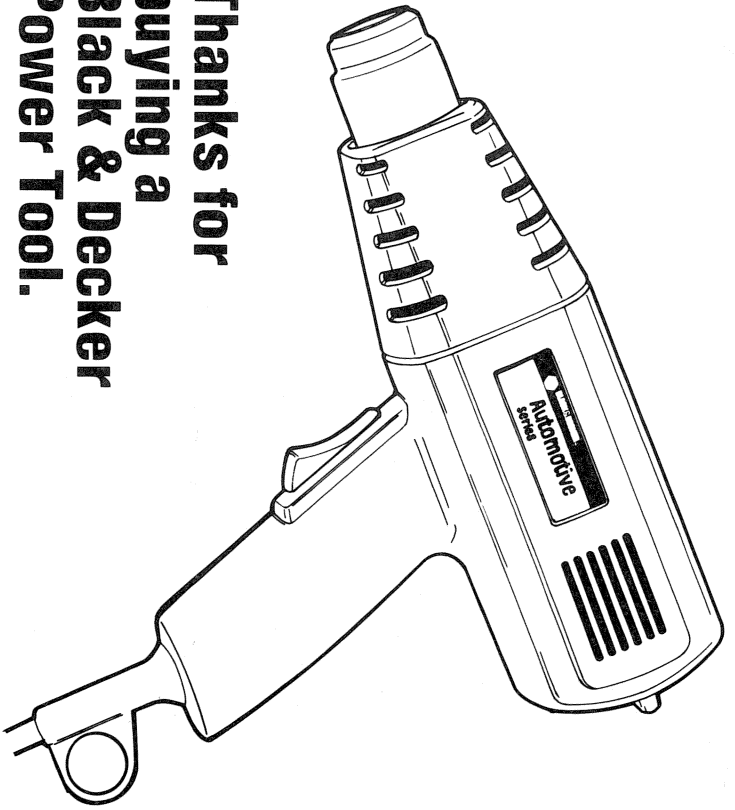
Part No. 826184

Form No. 741352
Product Made in England
Printed in England
©1987

BLACK & DECKER™
Distributed by



BLACK & DECKER (U.S.) INC., U.S. Power Tools Group, 10 North Park Drive, P.O. 798, Hunt Valley, MD 21030-0798 U.S.A.



Thanks for buying a Black & Decker Power Tool.

Your new Heat Gun is designed to remove paint and varnish quickly and easily from wood surfaces, and perform numerous tasks around the body shop.

This is a serious power tool, capable of producing excellent results if it's used properly.

Please spend a few minutes with this informative owner's

manual to fully acquaint yourself with your new tool. Pay particular attention to the Safety Rules we've provided for your protection.

Don't forget to send in your Owner's Registration Card.

Thanks for choosing BLACK & DECKER!



Notes

SAFETY INSTRUCTIONS

Important Safety Instructions

WARNING: When using Electric Tools, basic safety precautions should always be followed to reduce the risk of fire, electric shock, and personal injury, including the following:

READ ALL INSTRUCTIONS

REMEMBER THAT HIDDEN AREAS SUCH AS THOSE BEHIND WALLS, CEILINGS, FLOORS, SOFFIT BOARDS AND OTHER PANELS, MAY CONTAIN FLAMMABLE MATERIALS THAT COULD BE ACCIDENTALLY IGNITED WHEN STRIPPING PAINT FROM THE PANEL. SUCH A FIRE WOULD NOT BE READILY APPARENT, AND COULD CAUSE CONSIDERABLE DAMAGE AND DANGER OF INJURY.

WHEN STRIPPING THESE PANELS, OR ANY OTHER AREAS, KEEP THE HEAT GUN MOVING IN A BACK AND FORTH MANNER. TO LINGER OR PAUSE IN ONE SPOT COULD IGNITE THE PANEL, OR THE MATERIAL BEHIND IT.

THIS TOOL PRODUCES UP TO 1150 DEGREES FAHRENHEIT (measured at end of nozzle in air flow).

PEELINGS, RESIDUE AND VAPORS OF LEAD BASED PAINTS ARE EXTREMELY POISONOUS. STRIP SUCH PAINTS ONLY WITH ADEQUATE VENTILATION, SUCH AS A WINDOW FAN (IN THE EXHAUST MODE) OR MOVE THE WORKPIECE OUTDOORS WHERE POSSIBLE. FAILURE TO ADHERE TO THESE PRECAUTIONS COULD CAUSE INGESTION OF HIGHLY POISONOUS LEAD.

1. **KEEP WORK AREA CLEAN.** Cluttered areas and benches invite injuries.
2. **CONSIDER WORK AREA ENVIRONMENT.** Don't expose power tools to rain. Don't use power tools in damp or wet locations. Keep work area well lit. **DO NOT USE TOOLS IN THE PRESENCE OF FLAMMABLE LIQUIDS OR GASES.**
3. **GUARD AGAINST ELECTRIC SHOCK.** Prevent body contact with grounded surfaces. For example: pipes, radiators, ranges, refrigerator enclosures.
4. **KEEP CHILDREN AWAY.** All visitors should be kept away from work area. Do not let visitors contact tool or extension cord.
5. **STORE IDLE TOOLS.** When not in use, tools should be stored in dry, and high or locked up place — out of reach of children.
6. **USE SAFETY GLASSES.**
7. **DON'T ABUSE CORD.** Never carry tool by cord or yank it to disconnect from receptacle. Keep cord from heat, oil, and sharp edges.
8. **DON'T OVERREACH.** Keep proper footing and balance at all times.
9. **MAINTAIN TOOLS WITH CARE.** Inspect tool cords periodically and, if damaged, have repaired by authorized service facility. Inspect extension cords periodically and replace if damaged. Keep handles clean, dry and free from oil and grease.
10. **OUTDOOR USE EXTENSION CORDS.** When tool is used outdoors, use only extension cords intended for use outdoors and so marked. (See page 9 for more information about extension cords.)
11. **STAY ALERT.** Watch what you are doing. Use common sense. Do not operate tool when you are tired.
12. **DO NOT USE THIS TOOL AS A HAIR DRYER.**
13. Allow the tool to cool before storing.
14. Always use good quality scrapers and stripping knives.
15. **NEVER** obstruct the air intake or nozzle outlet.
16. Be sure to direct the hot air blast in a safe direction; away from other people or flammable objects.
17. **KEEP FINGERS AWAY FROM METAL NOZZLE; IT BECOMES VERY HOT.**
18. Don't touch the nozzle to any surface while running or shortly after running.
19. Avoid poking anything down inside the nozzle.
20. Know your work environment. Remember that areas behind soffit board, ceilings and floors may contain highly flammable materials. Check these areas before applying heat.
21. Clean dry paint from the nozzle after use; it could ignite.
22. Clean your scraper blade frequently during use; it could ignite.
23. Do not use the heat gun in combination with chemical strippers.
24. Do not use accessory nozzles as scrapers.
25. Keep nozzle away from cord.

Accessories

The accessories listed in this manual are available at extra cost from your local dealer or Black & Decker Service Center.

A complete listing of service centers is included on the owner's registration card packed with your tool.

If you need any assistance in locating any accessory please contact:

Black & Decker (U.S.) Inc.
User Services Department
10 North Park Drive
P.O. Box 857
Hunt Valley, MD 21030-0857

Recommended accessories for your Heat'n Strip Paint Remover and Heat Gun are listed below. **CAUTION:** The use of any other accessories or attachments may be hazardous.

ACCESSORY DESCRIPTION/USAGE

FAN NOZZLE

Wider distribution of the hot air, for working on large surfaces - floors, doors etc.

GLASS PROTECTOR

Safer working near glass. Distributes heat away from area to be protected.

CONE NOZZLE

For precise operations - concentrates the air onto a smaller surface area.

SPOON REFLECTOR

Evenly dispenses air around whole object. Ideal for soldering pipework, shrink sealing electrical cable.

Set of Three

MULTI-PURPOSE PAINT SCRAPER

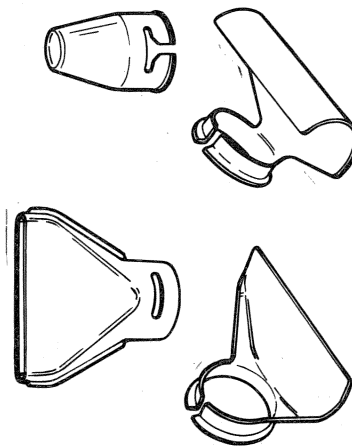
Provides one straight edge, one concave edge and one convex edge.

TRIANGULAR SCRAPER

Three straight edges for general purpose work.

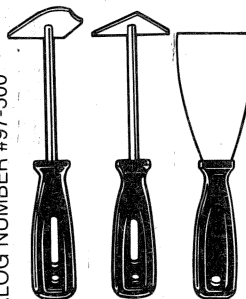
2" FLAT SCRAPER

One straight edge for general purpose work.



CAUTION:
These nozzles remain hot after use. Use care in handling them.

CATALOG NUMBER #97-500



Important Safety Instructions cont'd

BE CONSTANTLY AWARE THAT THIS TOOL CAN IGNITE FLAMMABLE MATERIALS, AND SOFTEN OR MELT OTHERS. REGARDLESS OF THE TASK YOU ARE PERFORMING, SHIELD OR KEEP AWAY FROM THESE MATERIALS THAT ARE CLOSE TO THE WORK AREA.

YOU MAY OCCASIONALLY NOTICE SOME SLIGHT SMOKING OF THE TOOL AFTER IT IS TURNED OFF. THIS IS THE RESULT OF HEATING THE RESIDUAL OIL THAT WAS DEPOSITED ON THE HEATING ELEMENT DURING THE MANUFACTURING PROCESS.

— IMPORTANT NOTICE —

In order for this tool to be an effective paint stripper, it must produce extremely high (up to 1150°F) temperatures. As a consequence, the stripper is capable of igniting paper, wood, paint and varnish residue and similar materials.

As you become more familiar with the tool and develop the proper technique, the danger of accidental ignition will be greatly reduced. In establishing the proper technique, the best thing to do is PRACTICE! Work on simple stripping projects, preferably outdoors, until you get a "feel" for how to use your Heat Gun safely and effectively.

As you practice, observe the following procedures for safety:

1. Always be sure the tool is turned OFF and UNPLUGGED when left unattended.
2. Clean the scraper blade often during use. Built up residue on the blade is highly flammable.
3. Experiment to find the optimum distance from the tool's nozzle to the surface being stripped. This distance (usually 1 to 2 inches) will vary depending on the material being removed.
4. Keep the heat gun moving ahead of the scraper blade at ALL times.
5. As you work, clean up loose pieces of paint as they accumulate around the work area.
6. When working indoors, keep away from curtains, papers, upholstery and similar flammable materials.
7. Above all, remember that this is a serious power tool that is capable of producing excellent results when used properly. Practice on simple projects until you feel comfortable with your Heat Gun. Only then will you have mastered the proper technique.

Thank You.



BLACK & DECKER

SAVE THESE INSTRUCTIONS FOR FUTURE USE.

Double Insulation

Your tool is DOUBLE INSULATED to give you added safety. This means that it is constructed throughout with two separate layers of insulation, or one double thickness of insulation, between you and the tool's electrical system.

Tools built with this improved insulation system are not intended to be grounded. As a result, your tool is equipped with a two-pronged plug which permits you to use any conventional 120 volt electrical outlet without concern for maintaining a ground connection.

NOTE: Double insulation does not take the place of normal safety precautions when operating this tool. The improved insulation system is for added protection against injury resulting from a possible electrical insulation failure inside the tool.

CAUTION: When servicing Double Insulated Tools, use ONLY IDENTICAL REPLACEMENT PARTS. Replace or repair damaged cords.

Extension Cords

Double insulated tools have 2 wire cords, and can be used with 2 wire or 3 wire extension cords. Only round jacketed extension cords should be used and we recommend that they be listed by Underwriters Laboratories (U.L.). If the extension will be used outside, the cord must be suitable for outdoor use. Any cord marked as outdoor can also be used for indoor work. The letters "WA" on the cord jacket indicate that it is suitable for outdoor use.

An extension cord must have adequate wire size (AWG or American Wire Gauge) for safety, and to prevent loss of power and overheating. The smaller the gauge number of the wire, the greater the capacity of the cable, that is, 16 gauge has more capacity than 18 gauge. When using more than one extension to make up the total length, be sure each individual extension contains at least the minimum wire size.

To determine the minimum wire size required, refer to the chart below:

CHART FOR MINIMUM WIRE SIZE (AWG) OF EXTENSION CORDS

NAMEPLATE RATING - AMPS	TOTAL EXTENSION CORD LENGTH - FEET									
	25	50	75	100	125	150	175	200		
0 - 10.0	18	18	16	16	14	14	14	12	12	12
10.1 - 13.0	16	16	14	14	14	14	12	12	12	12
13.1 - 15.0	14	14	12	12	12	12	12	12	12	--

Before using an extension cord, inspect it for loose or exposed wires, damaged insulation, and defective fittings. Make any needed repairs or replace the cord if necessary. Black & Decker has extension cords available that are U.L. listed for outdoor use.

SAVE THESE INSTRUCTIONS FOR FUTURE USE.

Other Uses cont'd

Automotive uses include reducing set up time on body fillers or drying time on paints (the product manufacturer's recommendations must be followed). CAUTION must be exercised around gasoline, automotive fluids, tires, gaskets, upholstery and hoses, etc. to prevent damage or cause fires.

BE CONSTANTLY AWARE THAT THIS TOOL CAN IGNITE FLAMMABLE MATERIALS, AND SOFTEN OR MELT OTHERS. AVOID OVERHEATING ADJACENT FLAMMABLE MATERIALS SUCH AS WOOD, INSULATION, ELECTRICAL WIRING JACKETS OR PLASTIC. THAW ONLY THOSE METAL PIPE SECTIONS THAT ARE FULLY EXPOSED. DO NOT ATTEMPT TO THAW PIPES THAT ARE INSIDE WALLS, FLOORS, CEILINGS OR OTHERWISE ENCLOSED. DO NOT ATTEMPT TO THAW PIPES THAT ARE WRAPPED IN INSULATION.

There are truly dozens of uses for your Heat'n Strip Paint Remover and Heat Gun. Experiment with it and if you find any unique uses, drop us a line (at the address on the back cover), we'd love to hear from you.

Important

To assure product SAFETY and RELIABILITY, repairs, maintenance and adjustment (including brush inspection and replacement) should be performed by Black & Decker Service centers or other qualified organizations, always using Black & Decker replacement parts. When servicing Double Insulated Tools, USE ONLY IDENTICAL REPLACEMENT PARTS.

Cleaning and Lubrication

Use only a damp cloth and any general purpose household cleaning agent to clean your tool. Do not use gasoline, turpentine, lacquer or paint thinner, dry cleaning fluids or similar substances.

Permanently lubricated bearings are used in your tool and periodic re-lubrication is not required. In the unlikely event that your tool should ever require service, take or send it to your local Black & Decker Service Center. Service Center addresses are listed on the Owner's Registration Card packed with your tool.

Motor

Be sure your power supply agrees with the nameplate marking. A marking of 120 Volt AC Only means Alternating Current (normal 120 volt, 60 cycle house current). Voltage decrease of more than 10% will cause loss of power and overheating.

All B&D tools are factory tested. If this tool does not operate, check the power supply.

Lead Paint Removal

Due to the fact that lead and its vapors are extremely poisonous and their ingestion can cause serious illness, especially in children and pregnant women, these safety rules must be rigidly followed when using your heat gun to remove lead paint. Since the presence of lead in paint cannot be detected without sophisticated equipment, it's best to assume that all paint contains lead and is, therefore, subject to the following safety requirements.

PERSONAL SAFETY:

1. Only those persons working on paint removal and clean up should enter the work area. Children and pregnant women should not enter the work area until the cleanup is completed.
2. **EATING, DRINKING, OR SMOKING** should be avoided in the work area. Workers should wash their hands thoroughly **BEFORE** eating, drinking or smoking.
3. Coveralls, impervious gloves, safety glasses, and respirators should be worn during paint removal and cleanup. National Institute of Safety and Health (NIOSH) approved respirators should be worn by all persons entering the work area. Removal methods that utilize heat require a dust, mist, fume respirator.
4. Soiled work clothes should be stored at the end of the day and kept separate from street clothing.
5. Supplemental ventilation should always be used when removing paint.
6. All paint should be removed in such a manner as to minimize the amount of dust generated.

ENVIRONMENTAL SAFETY:

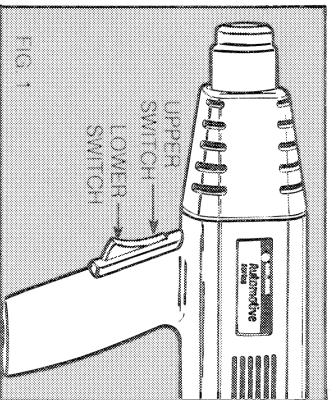
1. Leaded paint should be removed in such a manner as to minimize the amount of dust generated.
2. Areas where paint removal are occurring should be sealed with plastic sheeting of 4 mils thickness.
3. Woodwork and removed paint debris that is removed from the dwelling should be disposed of in a manner where it will not be accessible to children.
4. Work should start at the furthestmost point from the entrance of the dwelling to reduce tracking of lead dust through the rest of the dwelling.

CLEANING AND DISPOSAL:

1. All surfaces in the work area should be vacuumed and washed with phosphate detergent upon completion of the project. Vacuum filter bags should be changed frequently.
2. Clothes, dishes, bedding, toys, washable furniture and utensils stored in the work area should be washed thoroughly before being used again.
3. Plastic drop cloths should be gathered up and disposed of along with any dust, chips or other removal debris. They should be placed in sealed refuse receptacles and disposed of through regular trash pick-up procedures.
4. Woodwork and removed paint debris that is removed from the dwelling should be disposed of in a manner where it will not be accessible to children.

Dual Position Switch

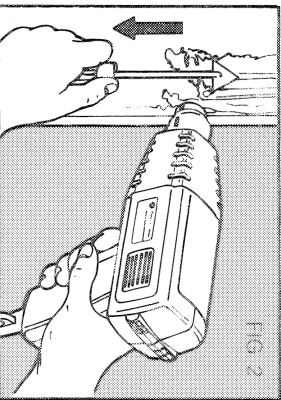
To turn the tool ON at 750°F setting, depress the upper switch, marked "1". To turn the tool ON at 1100°F setting depress the lower switch, marked "2". See Figure 1. To turn the tool OFF center the switch.



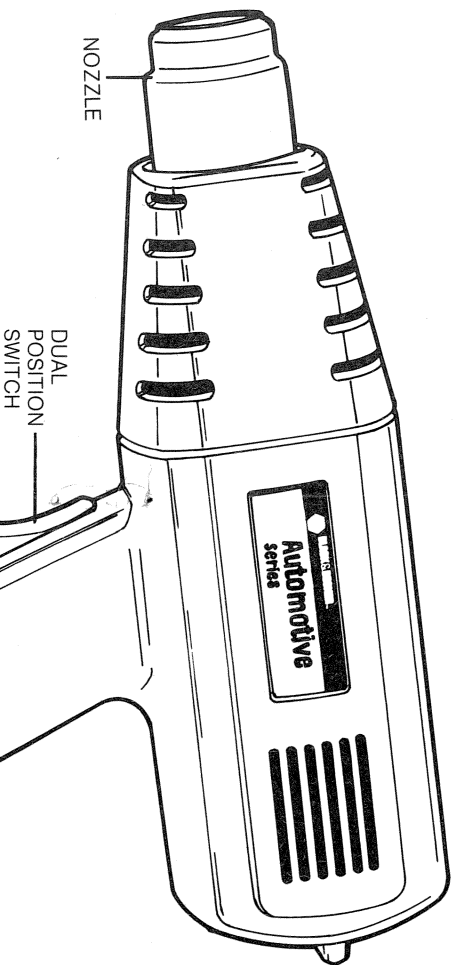
Removing Paint

Efficient paint removal requires the development of a technique. Follow the guidelines in this manual and you'll find that you will have mastered the procedure after a few simple projects. (See IMPORTANT NOTICE, page 4.)

Turn on the tool and hold the nozzle about one inch from the surface to be stripped, as shown in Figure 2. (Give the unit about 15-20 seconds running time to reach its full heat potential.) The paint being heated will usually begin to blister when it reaches the proper temperature for stripping. When it reaches this point begin scraping with smooth, even strokes using the scraper that best fits your needs.



6



(Scrapers are available from your Black & Decker dealer at extra cost. Of course a wide variety of paint scrapers is available at any good hardware store.) If the paint is sufficiently hot and the scraper is properly suited to the surface being stripped, the paint should come off in a strip equal to the full width of the scraper. Move the unit slightly ahead of the scraper to assure that the paint being stripped is softened. Best results will be achieved if the heat gun is moved slowly, but CONSTANTLY from side to side to evenly distribute the heat.
DO NOT LINGER OR PAUSE IN ONE SPOT.

Remember that splinters and small particles of stripped paint can be ignited and blown through holes and cracks in the surface being stripped.

Helpful Hints About Paint Stripping

A smooth, downward scraping action with the type of scraper shown in Figure 2 will give good results and will help to prevent gouging the work surface.

With some paints, prolonged heating will actually make them tougher to strip. Try a few different heating times until you develop the technique best suited to your particular application.

The Heat'n Strip Paint Remover and Heat Gun is designed to remove both oil based and latex based paints.



Helpful Hints About Paint Stripping cont'd

IT WILL NOT REMOVE STAINS OR PRIMER COATS THAT HAVE IMPREGNATED THE WOOD GRAIN.

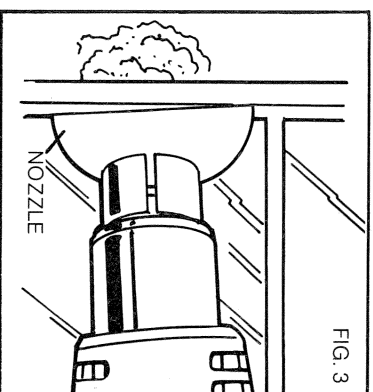
Scrape paint as soon as it softens, it will soon cool and harder again.

Clean the edge of your scraper often to retain a clean, sharp edge.

Shield areas adjacent to where you're scraping. For example: shield the door with nonflammable materials if you're stripping the door frame.

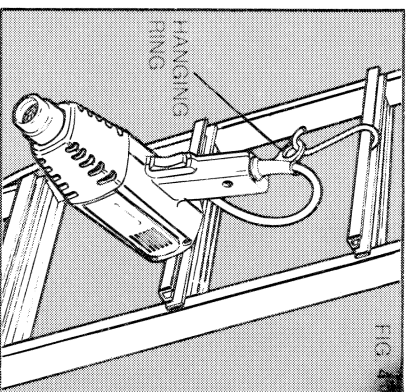
Don't concentrate the tool's heat on a window pane or other glass surface.

Excessive heat may crack the glass. Use some nonflammable material to shield the glass when stripping the window frame. A



special window shielding nozzle is available at extra cost from your local dealer. See Figure 3. A complete list of accessories for use with this tool is included in this manual.

Use the built-in hanging ring to hang the tool up when not in use. See Figure 4. This keeps the tool handy and prevents the hot nozzle from contacting anything.



Other Uses

Aside from stripping paint, your Heat'n Strip Paint Remover and Heat Gun has a wide array of other uses. Use it for softening linoleum and floor tile and for loosening heat sensitive adhesives. It's perfect for use with heat shrinkable tubing and anywhere you need a portable heat source. You can even use it to thaw frozen metal water pipes.

7