



Instruction Manual

4255 7" Angle Grinder

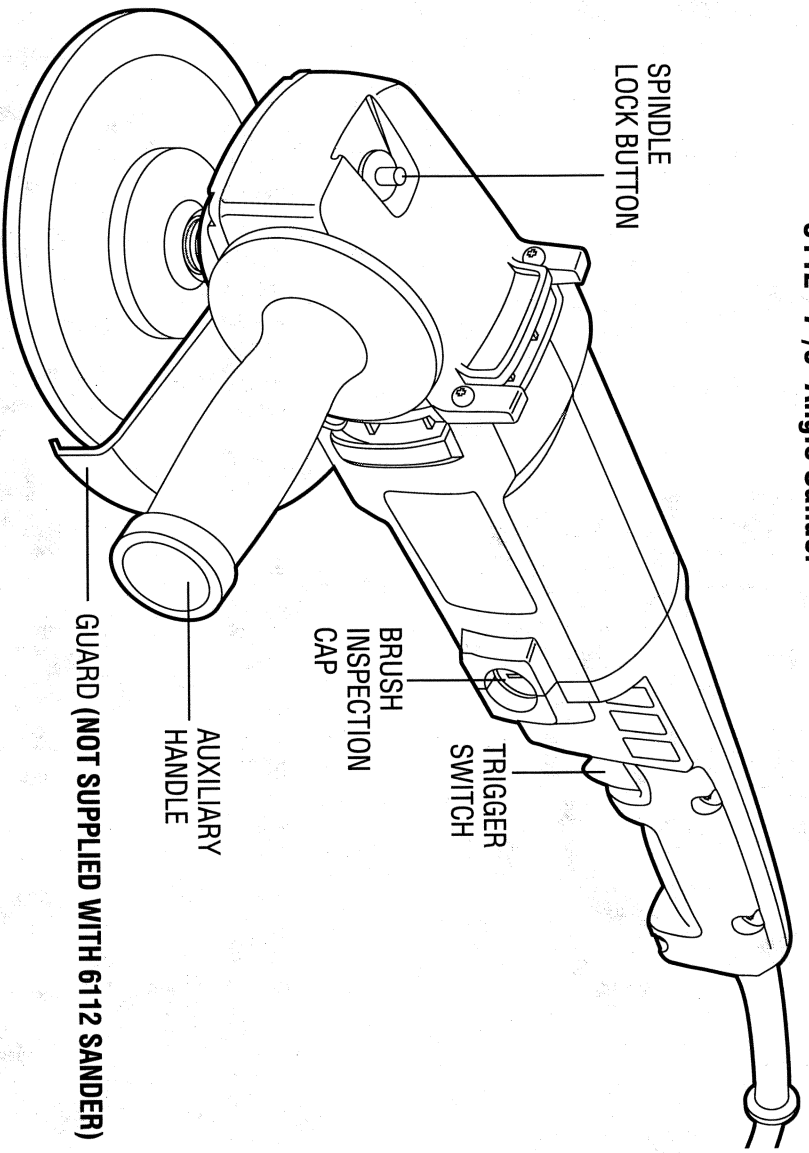
6112 7"/9" Angle Sander

Getting the most out of your tool.

Please take time to read this manual and pay particular attention to the safety rules we've provided for your protection. Don't forget to send in your owner's registration card. If you have any questions about your tool please call:

1-800-9-BD TOOL
(1-800-923-8665)

4255 7" Angle Grinder
6112 7"/9" Angle Sander



FOR YOUR SAFETY - ALL TOOLS

Important Safety Instructions

WARNING: When using electric tools, basic safety precautions should always be followed to reduce risk of fire, electric shock, and personal injury, including the following:

READ ALL INSTRUCTIONS

Double Insulation

Double insulated tools are constructed throughout with two separate layers of electrical insulation or one double thickness of insulation between you and the tool's electrical system. Tools built with this insulation system are not intended to be grounded. As a result, your tool is equipped with a two prong plug which permits you to use extension cords without concern for maintaining a ground connection.

NOTE: Double insulation does not take the place of normal safety precautions when operating this tool. The insulation system is for added protection against injury resulting from a possible electrical insulation failure within the tool.

CAUTION: WHEN SERVICING USE ONLY IDENTICAL REPLACEMENT PARTS. Repair or replace damaged cords.

Polarized Plugs

Polarized plugs (one blade is wider than the other) are used on equipment to reduce the risk of electric shock. When provided, this plug will fit into a polarized outlet only one way. If the plug does not fit fully into the outlet, reverse the plug. If it still does not fit, contact a qualified electrician to install the proper outlet. Do not change the plug in any way.

Safety Instructions For All Tools

- **KEEP WORK AREA CLEAN.** Cluttered areas and benches invite injuries.
- **CONSIDER WORK AREA ENVIRONMENT.** Don't expose power tools to rain. Don't use power tools in damp or wet locations. Keep work area well lit. Do not use tool in presence of flammable liquids or gases.
- **GUARD AGAINST ELECTRIC SHOCK.** Prevent body contact with grounded surfaces. For example: pipes, radiators, ranges, and refrigerator enclosures.
- **KEEP CHILDREN AWAY.** Do not let visitors contact tool or extension cord. All visitors should be kept away from work area.
- **STORE IDLE TOOLS.** When not in use, tools should be stored in dry, and high or locked-up place — out of reach of children.
- **DON'T FORCE TOOL.** It will do the job better and safer at the rate for which it was intended.
- **USE RIGHT TOOL.** Don't force small tool or attachment to do the job of a heavy-duty tool. Don't use tool for purpose not intended.
- **DRESS PROPERLY.** Do not wear loose clothing or jewelry. They can be caught in moving parts. Rubber gloves and non-skid footwear are recommended when working outdoors. Wear protective hair covering to contain long hair.
- **USE SAFETY GLASSES.** Also use face or dust mask if operation is dusty.
- **DON'T ABUSE CORD.** Never carry tool by cord or yank it to disconnect from receptacle. Keep cord from heat, oil, and sharp edges.
- **SECURE WORK.** Use clamps or a vise to hold work. It's safer than using your hand and it frees both hands to operate tool.
- **DON'T OVERREACH.** Keep proper footing and balance at all times.
- **MAINTAIN TOOLS WITH CARE.** Keep tools sharp and clean for better and safer performance. Follow instructions for lubricating and changing accessories. Inspect tool cords periodically and if damaged, have repaired by authorized service facility. Inspect extension cords periodically and replace if damaged. Keep handles dry, clean, and free from oil and grease.

- **DISCONNECT OR LOCK OFF TOOLS** when not in use, before servicing, and when changing accessories, such as blades, bits, cutters.
- **REMOVE ADJUSTING KEYS AND WRENCHES.** Form habit of checking to see that keys and adjusting wrenches are removed from tool before turning it on.
- **AVOID UNINTENTIONAL STARTING.** Don't carry tool with finger on switch. Be sure switch is off when plugging in.
- **EXTENSION CORDS.** Make sure your extension cord is in good condition. When using an extension cord, be sure to use one heavy enough to carry the current your product will draw. An undersized cord will cause a drop in line voltage resulting in loss of power and overheating. The following table shows the correct size to use depending on cord length and nameplate ampere rating. If in doubt, use the next heavier gage. The smaller the gage number, the heavier the cord.

		Minimum Gage for Cord Sets			
Volts		Total Length of Cord in Feet			
120V		0-25	26-50	51-100	101-150
240V		0-50	51-100	101-200	201-300
Ampere Rating		AWG			
More Than	Not more Than				
0	6	18	16	16	14
6	10	18	16	14	12
10	12	16	16	14	12
12	16	14	12	Not Recommended	

- **OUTDOOR USE EXTENSION CORDS.** When tool is used outdoors, use only extension cords intended for use outdoors and so marked.
- **STAY ALERT.** Watch what you are doing. Use common sense. Do not operate tool when you are tired.
- **CHECK DAMAGED PARTS.** Before further use of the tool, a guard or other part that is damaged should be carefully checked to determine that it will operate properly and perform its intended function. Check for alignment of moving parts, binding of moving parts, breakage of parts, mounting, and any other conditions that may affect its operation. A guard or other part that is damaged should be properly repaired or replaced by an authorized service center unless otherwise indicated elsewhere in this instruction manual. Have defective switches replaced by authorized service center. Do not use tool if switch does not turn it on and off.

ADDITIONAL SAFETY INSTRUCTIONS

Additional Safety Instructions for Grinders

- **ALWAYS WEAR EYE PROTECTION.**
- **KEEP GUARDS IN PLACE.**
- Use only grinding wheels having a maximum operating speed at least high as "No Load RPM" marked on the tool's nameplate.
- Before using, inspect recommended accessory for cracks or flaws. If such a crack or flaw is evident, discard the accessory. The accessory should also be inspected whenever you think the tool may have been dropped.
- When starting the tool (with a new or replacement wheel installed) hold the tool in a well protected area and let it run for one minute. If the wheel has an undetected crack or flaw, it should burst in less than one minute. Never start the tool with a person in line with the wheel. This includes the operator.
- In operation, avoid bouncing the wheel or giving it rough treatment. If this occurs, stop the tool and inspect the wheel.
- **ALWAYS USE GUARDS** with depressed center wheels or flaring cup grinding wheels.
- Clean your tool out periodically.
- **CAUTION:** Some wood contains preservatives such as copper chromium arsenate (CCA) which can be toxic. When sanding these materials extra care should be taken to avoid inhalation and minimize skin contact.

SAVE THESE INSTRUCTIONS

Motor

Your B&D tool is powered by a B&D built motor. Be sure your power supply agrees with the nameplate marking. Voltage decrease of more than 10% will cause loss of power and overheating. All B&D tools are factory tested; if this tool does not operate, check the power supply.

TOOL OPERATION

Switch

To start the tool, squeeze the trigger switch shown in Figure 1. To turn the tool off, release the switch. The tool can be locked on for continuous use by holding the trigger switch depressed while you depress the switch locking button next to the trigger, shown in Figure 1. Hold the locking button in as you gently release the trigger. Release the locking button and the tool will continue to run. To turn the tool off from a locked on condition, squeeze and release the trigger once.

Auxiliary Handle

An auxiliary handle is provided with your tool for convenience. The handle can be screwed into either side of the gear case, shown in Figure 2, and should be used at all times when sanding or grinding.

Figure 1

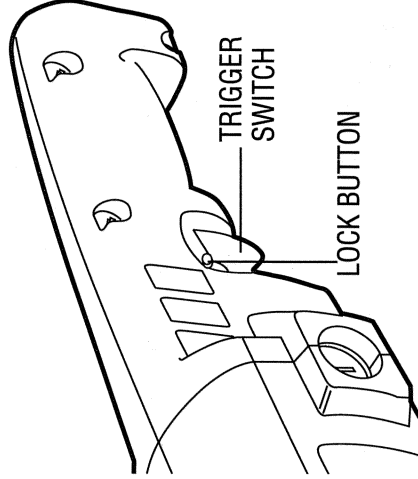
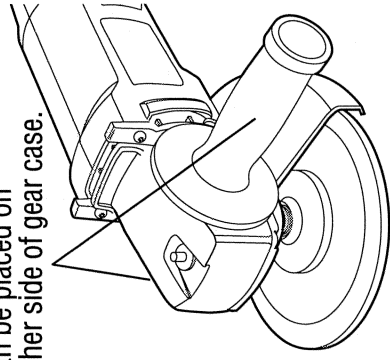


Figure 2

AUXILIARY HANDLE

Can be placed on either side of gear case.



Spindle Lock Button

Turn off and unplug tool. In order to prevent the spindle of the unit from rotating while installing or removing accessories, a spindle lock button has been provided in the gear head of the machine. Depress spindle lock button and rotate the spindle until the lock pin engages to lock the spindle.

NEVER DEPRESS THE SPINDLE LOCK BUTTON WITH THE TOOL RUNNING OR COASTING.

Sanding With Abrasive Discs (Figure 3)

To install sanding discs:

1. TURN OFF TOOL AND DISCONNECT FROM POWER SUPPLY.
2. Push the hub of the disc nut through the center of the sanding disc, as far as it will go, and also through the backing disc.
3. Put the assembled discs on the tool spindle and engage the disc nut into the disc nut hub.
4. Thread the assembly clockwise, completely down on the spindle.
5. Engage the lock button to lock the spindle in place.

When using a sanding disc, hold the tool at an angle of 10°-15° to the work. If only the outer edge of the sanding disc is used, a rough cut surface will result. If the sanding disc is pressed flat against the work, the surface will be irregular and bumpy, and the tool will be difficult to control.

To remove disc:

1. Engage spindle lock button to lock the spindle in place.
2. Using a cloth or glove to protect your hand, turn disc assembly counter-clockwise to remove it from the tool spindle. (Figure 4)

Figure 3

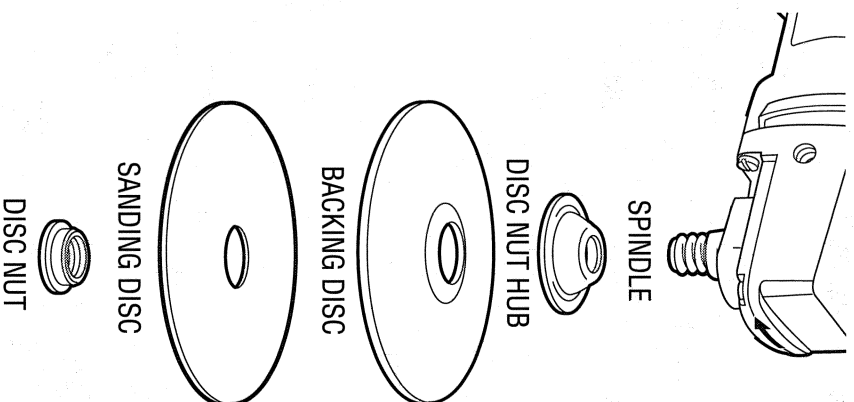


Figure 4

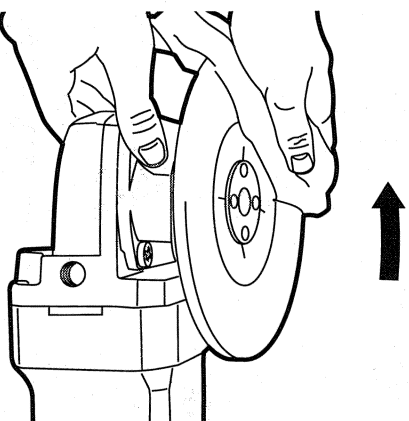
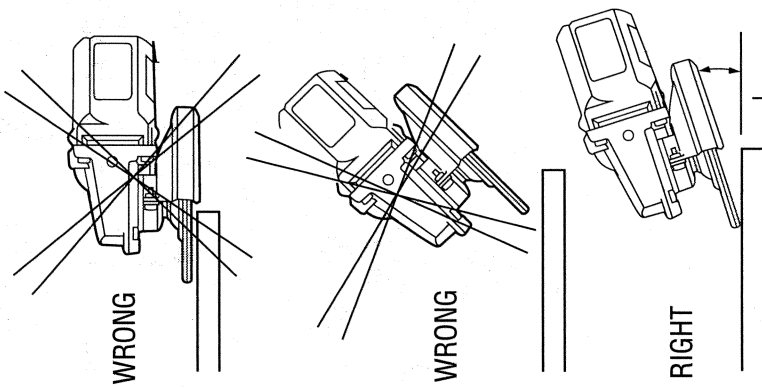


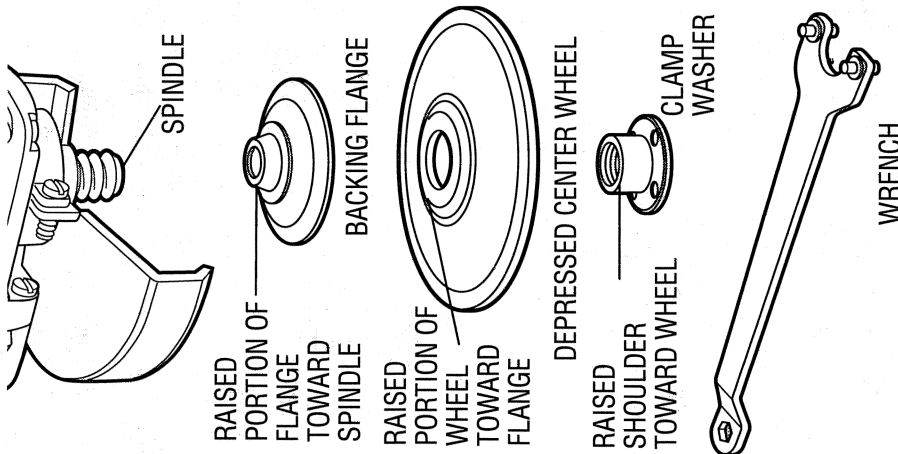
Figure 5



When grinding, leave 30° between the wheel and the work as shown above.

When sanding, leave 10°-15° between the wheel and the work.

Figure 6



Depressed-Center Wheels

Depressed center wheels may be used for moderate metal removal on flat or contoured surfaces. **CAUTION:** Never use depressed center wheels without the proper guard.

To install depressed center wheels: (See Figure 6)

1. TURN OFF TOOL AND DISCONNECT FROM POWER SUPPLY.
 2. Be sure the guard assembly is securely attached to the spindle housing. Position guard so that the open part of the guard is facing away from the operator.
 3. Put the backing flange onto the tool spindle.
 4. Check rated speed on depressed center wheel. Never use wheel with rated speed lower than the speed in the "WARNING" statement on the nameplate of the tool.
 5. Place the depressed center wheel on the tool spindle.
 6. Thread the clamp washer on tool spindle, hold the tool spindle by engaging the lock button, and tighten clamp washer with wrench.
- When using a depressed center wheel, hold the tool so that an angle of approximately 30° exists between the wheel and the work. (See Figure 5)

Wire Brushing

Common applications for wire cup brushes include cleaning welds, angles, corners and removal of paint.

1. Disconnect tool from power source. Rest grinder on its back with spindle facing up.
2. Ensure that the rated speed of the wire brush is equal to or higher than the rated speed of the grinder found on the nameplate.

3. Thread wire cup brush onto spindle and tighten.
4. Always wear eye protection and appropriate protective clothing.

Precautions To Take When Sanding Paint

1. Sanding of lead based paint is **NOT RECOMMENDED** due to the difficulty of controlling the contaminated dust. The greatest danger of lead poisoning is to children and pregnant women.
2. Since it is difficult to identify whether or not a paint contains lead without a chemical analysis, we recommend the following precautions when sanding any paint:

PERSONAL SAFETY

- a. No children or pregnant women should enter the work area where the paint sanding is being done until all clean up is completed.
- b. A dust mask or respirator should be worn by all persons entering the work area. The filter should be replaced daily or whenever the wearer has difficulty breathing.

NOTE: Only those dust masks suitable for working with lead paint dust and fumes should be used. Ordinary painting masks do not offer this protection. See your local hardware dealer for the proper N.I.O.S.H. approved mask.

- c. **NO EATING, DRINKING or SMOKING** should be done in the work area to prevent ingesting contaminated paint particles. Workers should wash and clean up **BEFORE** eating, drinking or smoking. Articles of food, drink, or smoking should not be left in the work area where dust would settle on them.

ENVIRONMENTAL SAFETY

- a. Paint should be removed in such a manner as to minimize the amount of dust generated.
- b. Areas where paint removal is occurring should be sealed with plastic sheeting of 4 mils thickness.
- c. Sanding should be done in a manner to reduce tracking of paint dust outside the work area.

CLEANING AND DISPOSAL

- a. All surfaces in the work area should be vacuumed and thoroughly cleaned daily for the duration of the sanding project. Vacuum filter bags should be changed frequently.
- b. Plastic drop cloths should be gathered up and disposed of along with any dust chips or other removal debris. They should be placed in sealed refuse receptacles and disposed of through regular trash pick-up procedures. During clean up, children and pregnant women should be kept away from the immediate work area.
- c. All toys, washable furniture and utensils used by children should be washed thoroughly before being used again.

Cleaning

Blowing dust and grit out of the motor housing using compressed air is a necessary regular maintenance procedure. Dust and grit containing metal particles often accumulate on interior surfaces and could create an electrical shock hazard if not frequently cleaned out. **ALWAYS WEAR SAFETY GLASSES.**

CAUTION: Never use solvents or other harsh chemicals for cleaning the non-metallic parts of the tool. Use clean, dry rag only.

Lubrication

B&D tools are properly lubricated at the factory and are ready for use. Tools should be relubricated regularly every sixty days to six months, depending on usage. (Tools used constantly on production or heavy-duty jobs and tools exposed to heat may require more frequent lubrication.) This lubrication should only be attempted by trained power tool repairpersons, such as those at B&D service centers or in other qualified service organizations.

Motor Brushes

Be sure tool is turned off and disconnected before inspecting brushes. Carbon brushes should be regularly inspected for wear. To inspect brushes, unscrew the plastic brush inspection caps (located in the sides of the motor housing) and the spring and brush assemblies may be withdrawn from the tool.

Keep brushes clean and sliding freely in their guides. Carbon brushes have varying symbols stamped into them, and if the brush is worn down to the line closest to the spring, they must be replaced. New brush assemblies are available at B&D service centers.

NOTE: Use accessories recommended per chart below:

Accessory Type	Notes	Usage
DEPRESSED CENTER WHEEL	Use guard supplied with tool	Use for moderate metal and masonry removal on flat or contoured surfaces
SANDING DISCS		Use for smoothing welds, and sharp edges, and automotive body work
WIRE CUP BRUSHES	Max - 4" Knotted Wheel Max - 2-3/4" Cup Wheel	Use for rust removal and surface preparation before painting

Depressed center grinding wheels must fit within the confines of the guard and must be rated higher than the recommended speed as marked on the nameplate.

CAUTION: Strands of wire cup brushes may break and fly off while in use. Users and others in the area should wear adequate eye, face and body protection. Use only wire cup brushes that are rated at or greater than the RPM shown on the tool's nameplate.

WARNING: To reduce the risk of injury, always use proper guards when grinding and wear eye protection.

CAUTION: The use of any non-recommended accessory may be hazardous. Recommended accessories for use with your tool are available at extra cost from your distributor or local service center. A complete listing of service centers is included with your tool.

IMPORTANT!

To assure product safety and reliability, particularly for double insulated tools, repairs, maintenance and adjustment (excluding maintenance described in this manual) should be performed by B&D service centers or authorized service centers, using identical B&D replacement parts.

Every B&D tool is of the highest quality.

If you wish to contact us regarding this product, please call toll free between 8:00am and 8:00pm ET, seven days a week:

1-800-9-BD TOOL

(1-800-923-8665)

One Year Free Maintenance

All B&D tools for Industry and Construction are covered under a service/safety check program where B&D will inspect your tool for safety and provide necessary maintenance or repairs, including normal wear and tear parts, for one year, FREE OF CHARGE.

Full Warranty

All B&D tools for Industry and Construction are warranted to be free of any defects in materials or workmanship. Upon thorough examination of tool, B&D will repair or replace, at our option, any product that is determined to be defective.

Conditions

The service/safety check and the warranty do not apply to: repairs made or attempted by anyone other than an authorized B&D service location; misuse, abuse, neglect, improper application of the tool; missing parts; or normal wear and tear (after first year of ownership). Please return the complete unit, transportation prepaid, to any B&D factory owned or B&D authorized service center location (list provided with tool or see Yellow Pages under "Tools Electric").

YOUR POWER TOOLS MAY BE SERVICED AT THE FOLLOWING B&D SERVICE CENTERS.

ALABAMA: Birmingham 35209, 2412 Green Springs Hwy. 205-942-0538 Mobile 36608, 3631 Airport Blvd. 205-943-6624	ALASKA: Anchorage 99518, 910 West International Airport Rd. 907-563-4664	ARIZONA: Mesa 85202, 535 S. Dobson, Suite 7 602-461-1074 Phoenix 85013, 4501 N. 7th Avenue 602-279-6414 Tucson 85712, 4845 E. Speedway Blvd. 602-323-3388	ARKANSAS: Little Rock 72201, 519 W. Seventh St. 501-372-3040	CALIFORNIA: Anaheim 92806, 540 South State College Blvd. 714-772-4050 Chula Vista 91910, 309 Broadway 619-420-6350 Concord 94520, 1500 Monument Blvd., #C2 510-682-4880 Fresno 93710, 5412 North Blackstone Ave. 209-435-0810 Long Beach 90805, 2011 South St. 310-422-5825 Los Angeles 90040, 4820 South Eastern Ave., Suite "L" 213-720-1834 Riverside 92506, 6215 Magnolia Ave., Suite "B" 909-787-9700 Sacramento 95825, 2033 Fulton Ave. 916-972-9090 San Diego 92123, 9270 Clairemont Mesa Blvd. 619-279-2011 San Jose 95128, 1185 So. Bascom Ave. 408-293-7350 San Leandro 94578, 15206 E. 14th St. 510-276-1610 Van Nuys 91411, 14920 Victory Blvd. 818-787-5531	COLORADO: Denver 80219, 1171 S. Federal Blvd. 303-922-8325	CONNECTICUT: Orange 06477, 481 Boston Post Rd. 203-795-3583 Wethersfield (Hartford) 06109, 662 Silas Dean Hwy. 203-563-5800	DISTRICT OF COLUMBIA: Washington Colmar Manor 20722, 4153 Bladensburg Rd. 301-779-3808 Falls Church, VA 22046, 344 W. Broad St. 703-533-7313	FLORIDA: Ft. Lauderdale 33334, 799 E. Oakland Pk. Blvd. 305-566-5102 Ft. Myers 33907, 5224 Bank Street 813-278-1188 Jacksonville 32205, 920 Cassat Ave. 904-781-2253 Miami (North) 33168, 13345 N.W. Seventh Ave. 305-681-6658 Miami (South) 33156, 12233 So. Dixie Hwy. 305-232-9497 Orlando 32803, 3807 E. Colonial Dr. 407-894-7011 St. Petersburg 33709, 5635 49th St., N. 813-525-0273 Tampa 33609, 3432 W. Kennedy Blvd. 813-872-8317 West Palm Beach 33415, 310 South Military Trail 407-689-3247	GEORGIA: Atlanta (South) 30349, 5330 Old National Hwy. 404-762-8844 Smyrna 30080, 2550 Cobb Pkwy. 404-956-0869 Stone Mountain (Atlanta) 30086, 5723 Memorial Dr. 404-292-4714	HAWAII: Honolulu 96819, 330 Sand Island Access Road 808-847-7447	ILLINOIS: Des Plaines (Chicago) 60018, 1277 South Elmhurst Rd. 708-364-5220 Lincolnwood (Chicago) 60646, 6710 N. Crawford Ave. 708-673-0923 Lisle (West Chicago) 60532, 2950 Ogden Ave., Unit H 708-717-1075 Moline 61265, 4433 23rd Ave. 309-762-3000 Oak Lawn (Chicago) 60453, 6343 W. 95th St. 708-423-7212 Waukegan 60085, 39 S. Greenway Rd. 708-249-4390	INDIANA: Evansville 47710, 307 First Ave., Crescent Ctr. 812-425-4269 Hammond 46323, 7103 Kennedy Ave. 219-845-5100 Indianapolis 46224, 5999 Crawfordsville Rd. 317-243-8308	IOWA: Des Moines 50310, 3427 Merle Hay Rd. 515-270-1340	KANSAS: Wichita 67213, 155 S. West St. 316-943-1271	KENTUCKY: Louisville 40213, 5211 Preston Hwy. 502-968-7100	LOUISIANA: Baton Rouge 70815, 11859 Florida Blvd. 504-272-8111 Harvey 70058, 2500 Lapalco Blvd. 504-366-8676 Metairie (New Orleans) 70002, 3504 N. Causeway Blvd. 504-837-2550 Shreveport 71108, 7710-7714 Jewella Rd. 318-688-1553	MARYLAND: Baltimore (East) 21205, 4712 Erdman Ave. 410-485-5550 Baltimore (North) 21030, 29-31 Cranbrook Rd., Cockeysville 410-666-5966 Baltimore (South) 21122, 8220 Ritchie Hwy., Pasadena 410-647-8456 Colmar Manor 20722, 4153 Bladensburg Rd. 301-779-3808	MASSACHUSETTS: Brighton (Boston) 02135, 12 Market St. 617-782-6264 Seekonk 02771, 120 Highland Ave. 508-336-6510	MICHIGAN: Grand Rapids 49512, 3040 28th St., S.E. 616-949-8331 Lansing 48917, 3203 W. Saginaw Hwy. 517-323-4181 Warren 48093, 27035 Van Dyke Blvd. 313-756-6711 Westland (Detroit) 48185, 8067 North Wayne Rd. 313-427-1520	MINNESOTA: Bloomington (Minneapolis-St. Paul) 55420, 9517 Lyndale Ave., S. 612-884-9191	MISSOURI: Kansas City 64111, 4324 Main St. 816-531-0829 St. Ann (North St. Louis) 63074, 3637 North Lindbergh Blvd. 314-739-4661 St. Louis 63131, 12852 Manchester Rd. 314-821-8740	NEBRASKA: Omaha 68127, 4225 S. 84th St. 402-592-5666	NEVADA: Las Vegas 89104, 3411 East Charleston Blvd. 702-641-6555	NEW JERSEY: Cherry Hill 08034, 1444 E. Marlon Pike/Rte. 70 609-429-2822 Little Falls 07424, 1189 U.S. Highway 46 201-256-9373 Union (Scotch Plains) 07076, 2520 Route #22 East 908-233-5665	NEW MEXICO: Albuquerque 87110, 5617 Menaul Blvd., N.E. 505-884-1002	NEW YORK: Buffalo 14209, 881 W. Delavan Ave. 716-884-6220 Centereach L.I. 11720, 2061-63 Middle Country Rd. 516-737-4706 Elmhurst (New York) 11373, 77-20 Queens Blvd. 718-335-1042 Latham (Albany) 12110, 836 Troy-Schenectady Rd. 518-785-1867 Rochester 14623, 2969 W. Henrietta Rd. 716-424-1310 Syracuse 13214, 3485 Erie Blvd. East 315-446-3086 Westbury L.I. (New York) 11590, 1061 Old Country Rd. 516-997-6140	NORTH CAROLINA: Charlotte 28205, 3007 E. Independence Blvd. 704-374-1779 Greensboro 27407, 3716 High Point Rd. 910-852-1300 Raleigh 27604, 2930 Capital Blvd. 919-878-0357	OHIO: Cincinnati 45241, 2310 E. Sharon Rd. 513-772-3111 Columbus 43227, 3975 E. Livingston Ave. 614-237-0461 Dayton 45409, 2898 S. Dixie Dr. 513-288-1951 Mayfield Heights (East Cleveland) 44124, 5881 Mayfield Rd. 216-449-2770	OHIO (CONT'D): Parma Heights (Cleveland) 44130, 6483 Pearl Road. 216-842-9100 Toledo 43607, 3231 Dorr St. 419-531-8821	OKLAHOMA: Oklahoma City 73106, 1318 Linwood Blvd. 405-232-7515 Tulsa 74145, 3120 S. Sheridan Rd. 918-622-5666	OREGON: Portland 97209, 1640 N.W. Johnson St. 503-228-8631	PENNSYLVANIA: Evens City 16033, 20808 Rt. 19 North 412-779-9600 Harrisburg 17112, 6080 Allentown Blvd. 717-393-5251 Lancaster 17601, 118 Keller Ave. 717-393-5251 Philadelphia 19103, 333 N. 20th St. 215-564-5520 Philadelphia (North) 19115, 9977-81 Bustleton Ave. 215-464-7771 Pittsburgh 15232, 5437 Baum Blvd. 412-362-2700 Whitehall (Allentown) 18052, 2242 MacArthur Rd. 610-435-9544 Wilkes-Barre 18702, 759 Kidder Street 717-824-5704	PUERTO RICO: Puerto Nuevo 809-783-3535	RHODE ISLAND: See Seekonk, MA	SOUTH CAROLINA: Greenville 29607, 1557 Laurens Rd. 803-232-3038	TENNESSEE: Chattanooga 37421, 6231 Perimeter Drive, Space E. 615-894-5957 Knoxville 37917, 4118 N. Broadway 615-688-0921 Memphis 38116, 1085 East Brooks Rd. 901-332-3444 Nashville 37211, 4811 Nolensville Rd. 615-833-8277	TEXAS: Amarillo 79106, 3008 West 6th Ave. 806-373-1531 Austin 78757, 6549 Burnet Rd. 512-459-1133 Dallas 75229, 2257 Royal Ln. 214-620-6655 El Paso 79915, 6822 Gateway East 915-778-9769 Fort Worth 76111, 721 North Beach St. 817-831-3828 Garland 75043, 718 W. Centerville Rd. 214-686-9302 Houston 77022, 536 E. Tidwell Rd. 713-692-7111 Houston (S.W.) 77025, 9319 Stella Link Blvd. 713-664-3666 San Antonio 78201, 500 Culebra Ave. 210-732-1221 Webster 77598, 100 East Nassa Rd. One 713-338-4556	UTAH: Salt Lake City 84115, 1541 S. Third West St. 801-486-5828	VIRGINIA: Falls Church 22046, 344 W. Broad St. 703-533-7313 Hampton 23666, 3416 W. Mercury Blvd. 804-826-9382 Norfolk 23513, 7631 Sewells Point Rd. 804-480-3333 Richmond 23222, 1424 Chamberlayne Ave. 804-649-9245	WASHINGTON: Seattle 98108, 421 S. Michigan St. 206-763-2010 Spokane 99208, N. 7011 Division St. 509-467-8190 Tacoma 98409, 2602 S. 38th St. 206-473-6040	WEST VIRGINIA: Charleston 25312, 1638 Sixth Ave. 304-343-0289	WISCONSIN: Milwaukee (Wauwatosa) 53226, 10424 West Bluemound Rd. 414-453-4240
--	--	---	--	---	--	--	---	--	---	--	---	--	---	---	--	--	--	---	--	---	---	--	--	---	---	--	--	--	---	--	--	--	--	---	---	---	---	---	---	--	---	---

ALBERTA

Edmonton T6E 6H6, 3845 99th St. 403-462-5005

BRITISH COLUMBIA

Vancouver V5M 3Y7, 1735 Boundary Rd. 604-291-9942

MANITOBA

Winnipeg R3H OK3, 934 St. James St. 204-783-7294

NOVA SCOTIA

Halifax B3K 2A4, 6100 Young Street. 902-453-5090

ONTARIO

Brockville K6V 5W6, 100 Central Ave. 613-342-6641
Kanata K2L 1V3, 462 Hazeldean Rd #11 613-831-2332

Glencairn Plaza

London N6E 3A9, 981 Wellington Rd #6 519-649-2407
Markham L3P 3J3, 9275 Hwy 48 Unit 12/13 905-472-6168
Mississauga L4X 1L3, 1480 Dundas St. E #7 905-277-0011
North York M3J 3G5, 48 Kodiak Cres 416-635-6740

QUEBEC

Brossard J4W 1M6, 5840 Boul Taschereau 514-462-4881
Montreal H1Y 1B4, 3061 Belanger 514-722-1021

**FOR ADDITIONAL SERVICE LOCATIONS
CALL: 1-800-9-BD TOOL**

Black & Decker (U.S.) Inc. • 701 East Joppa Road, Towson, Maryland 21286

Printed in U.S.A. (APR95-CD-2) Form No. 159244-01 Copyright © 1994, 1995