

# **Instruction Manual**

**2755 • 2840 • 2861 • 2852 • 2757 • 2893 • 2895**

**Adjustable Clutch Driver/Drill**

## Getting the most out of your tool.

Please take time to read this manual and pay particular attention to the safety rules we've provided for your protection. Don't forget to send in your owner's registration card. If you have any questions about your tool please call:

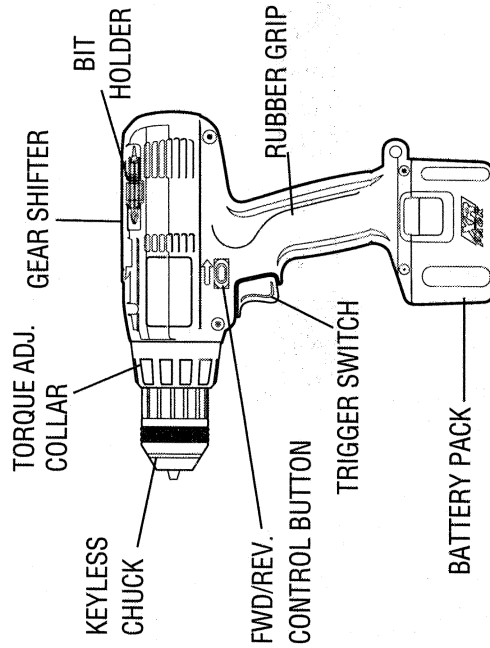
**1-800-9-BD TOOL**  
**(1-800-923-8665)**

## Ergonomics that make a difference

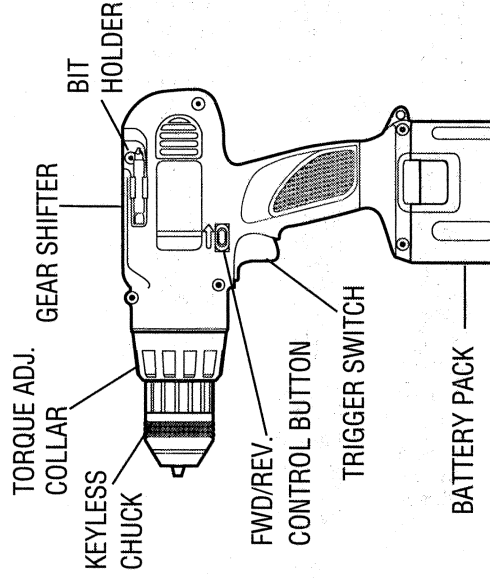
Your driver/drill has been designed with concern for work conditions which have quite an effect on the operator. The innovative design of this tool allows for comfort in handling, neutral wrist positions, balanced weight, excellent gripping, and low trigger pressure.

Cat #	Voltage	Grip Style	Chuck Capacity	Battery Pack	RPM
2755	9.6V	Mid Standard	3/8"	Standard	0-400/0-1100
2840	9.6V	Pistol Rubber	3/8"	XR Pack™	0-400/0-1200
2852	12.0V	Mid Rubber	3/8"	XR Pack™	0-450/0-1400
2757	12.0V	Mid Standard	3/8"	Standard	0-400/0-1200
2861	12.0V	Pistol Rubber	3/8"	XR Pack™	0-450/0-1400
2893	18.0V	Mid Rubber	3/8"	XR Pack™	0-450/0-1400
2895	18.0V	Mid Rubber	1/2"	XR Pack™	0-450/0-1400

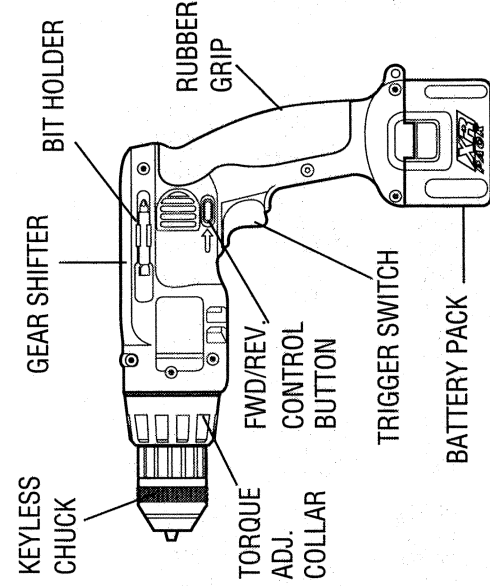
### MID HANDLE RUBBER GRIP



### MID HANDLE STANDARD



### PISTOL HANDLE RUBBER GRIP



# FOR YOUR SAFETY- ALL TOOLS

**WARNING:** When using electric tools, basic safety precautions should always be followed to reduce risk of fire, electric shock, and personal injury, including the following:

## READ ALL INSTRUCTIONS.

1. **KEEP WORK AREA CLEAN.** Cluttered areas and benches invite injuries
2. **CONSIDER WORK AREA ENVIRONMENT.** Don't expose power tools to rain. Don't use power tools in damp or wet locations. Keep work area well lit.
3. **KEEP CHILDREN AWAY.** All visitors should be kept away from work area. Do not let visitors contact tool.
4. **STORE IDLE TOOLS.** When not in use, tools should be stored in dry, and high or locked-up place – out of reach of children.
5. **DON'T FORCE TOOL.** It will do the job better and safer at the rate for which it was intended.
6. **USE RIGHT TOOL.** Don't force small tool or attachment to do the job of a heavy-duty tool. Don't use tool for purpose not intended, for example, don't use circular saw for cutting tree limbs or logs.
7. **DRESS PROPERLY.** Do not wear loose clothing or jewelry. They can be caught in moving parts. Non-skid footwear is recommended when working outdoors. Wear protective hair covering to contain long hair.
8. **USE SAFETY GLASSES.** Also use face or dustmask if operation is dusty.
9. **SECURE WORK.** Use clamps or a vise to hold work. It's safer than using your hand and it frees both hands to operate tool.
10. **DON'T OVERREACH.** Keep proper footing and balance at all times.
11. **MAINTAIN TOOLS WITH CARE.** Keep tools sharp and clean for better and safe performance. Follow instructions for lubricating and changing accessories. Keep handles dry, clean, and free from oil and grease.
12. **LOCK OFF TOOL** when not in use, before servicing, and when changing accessories.

13. **REMOVE ADJUSTING KEYS AND WRENCHES.** Form habit of checking to see that keys and adjusting wrenches are removed from tool before turning it on.
14. **AVOID UNINTENTIONAL STARTING.** Don't carry tool with finger on switch.
15. **STAY ALERT.** Watch what you are doing. Use common sense. Do not operate tool when you are tired.
16. **CHECK DAMAGED PARTS.** Have defective switches replaced by authorized service center. Do not use tool if switch does not turn it on and off.
17. **DO NOT OPERATE** portable electric tools near flammable liquids or in gaseous or explosive atmospheres. Motors in these tools normally spark, and the sparks might ignite fumes.
18. **BE AWARE** that this tool is always in an operating condition because it does not have to be plugged into an electrical outlet. Keep the switch control lever in the lock "OFF" position, as shown in Figure 5c, when you are not using the tool.
19. **CAUTION:** When drilling or driving into walls, floors or wherever "live" electrical wires may be encountered, **DO NOT TOUCH ANY FRONT METAL PARTS OF THE TOOL!** Hold the tool only by the plastic handle to prevent shock if you drill or drive into a "live" wire.
20. **⚠ WARNING:** To control twisting action, place both hands on drill (see Figure A).

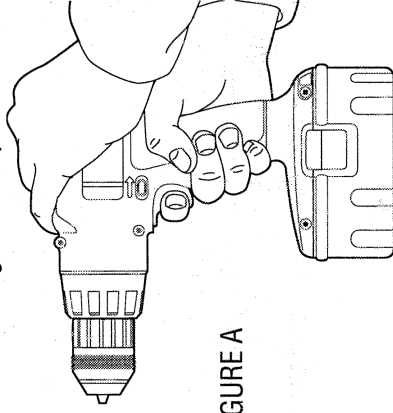


FIGURE A

**SAVE THESE INSTRUCTIONS FOR FUTURE USE**

## Important Safety Instructions for Battery Chargers

This manual contains important safety and operating instructions.

- Before using charger, read all instructions and cautionary markings on (1) charger, (2) battery pack, and (3) product using battery pack.
- **⚠ DANGER:** 120 volts present at charging terminals. Do not probe with conductive objects. Danger of electric shock or electrocution.
- **⚠ DANGER:** If battery pack case is cracked or damaged, do not insert into charger. Danger of electric shock or electrocution.
- The charger and battery pack are specifically designed to work together. DO NOT attempt to charge the battery pack with any chargers other than the ones in this manual.
- Do not expose charger to rain or snow.
- These chargers are not intended for any uses other than charging B&D rechargeable batteries. Any other uses may result in risk of fire, electric shock or electrocution.
- To reduce risk of damage to electric plug and cord, pull by plug rather than cord when disconnecting charger.
- Make sure cord is located so that it will not be stepped on, tripped over, or otherwise subjected to damage or stress.
- An extension cord should not be used unless absolutely necessary. Use of improper extension cord could result in risk of fire, electric shock, or electrocution.
- An extension cord must have adequate wire size (AWG or American Wire Gauge) for safety. The smaller the gauge number of the wire, the greater the capacity of the cable, that is 16 gauge has more capacity than 18 gauge. When using more than one extension to make up the total length, be sure each individual extension contains at least the minimum wire size.

## Recommended Minimum AWG Size for Extension Cords

Total Extension Cord Length (feet)	25	50	75	100	125	150	175
Wire Gauge	18	18	16	16	14	14	12

- The charger is ventilated through slots in the top and the bottom of the housing. Do not place any object on top of charger or place the charger on a soft surface that might block the ventilation slots and result in excessive internal heat. Place the charger in a position away from any heat source.
- Do not operate charger with damaged cord or plug — have them replaced immediately.
- Do not operate charger if it has received a sharp blow, been dropped, or otherwise damaged in any way; take it to an authorized service center.
- Do not disassemble charger; take it to an authorized service center when service or repair is required. Incorrect reassembly may result in a risk of electric shock, electrocution or fire.
- To reduce risk of electric shock, unplug charger from outlet before attempting any cleaning. Removing the battery pack will not reduce this risk.
- NEVER attempt to connect 2 chargers together.
- DO NOT store or use the tool and battery pack in locations where the temperature may reach or exceed 105°F (such as outside sheds or metal buildings in summer).
- The charger is designed to operate on standard household electrical power (120 Volts). Do not attempt to use it on any other voltage!

## Important Safety Instructions for Battery Packs

The battery pack is not fully charged out of the carton! First read the safety instructions below. Then follow charging notes and procedures.

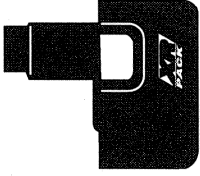
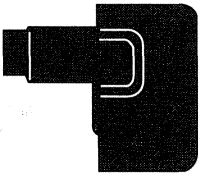
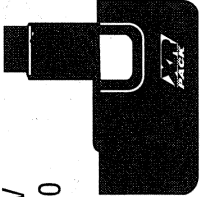
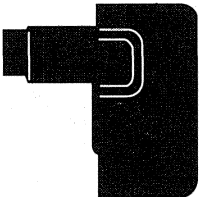

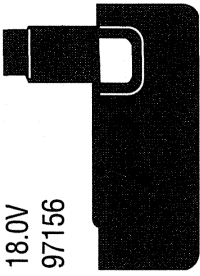
### READ ALL INSTRUCTIONS.

- Do not incinerate the battery pack even if it is severely damaged or is completely worn out. The battery pack can explode in a fire.

- A small leakage of liquid from the battery pack cells may occur under extreme usage or temperature conditions. This does not indicate a failure. However, if the outer seal is broken and this leakage gets on your skin:
  - Wash quickly with soap and water.
  - Neutralize with a mild acid such as lemon juice or vinegar.
  - If battery liquid gets into your eyes, flush them with clean water for a minimum of 10 minutes and seek immediate medical attention. (Medical note: The liquid is 25-35% solution of potassium hydroxide.)
- Never attempt to open the battery pack for any reason. If the plastic housing of the battery pack breaks or cracks, immediately discontinue use and do not recharge.
- Do not carry extra battery packs in aprons, pockets, or tool boxes along with other metal objects. Battery pack could be short circuited causing damage to the battery pack and possibly causing severe burns or fire.
- Charge the battery packs only in B&D chargers.
- **NOTE:** Review and observe all of the "Important Charging Notes" in the charger instruction section of this manual.
- **NOTE:** The batteries in your battery pack are the nickel-cadmium type. Cadmium is considered to be a toxic material by the Environmental Protection Agency. Before disposing of damaged or worn out Nickel-Cadmium battery packs, check with your state Environmental Protection Agency to find out about special restrictions on the disposal of these battery packs or return them to a B&D certified service center for recycling.

## Battery Packs

Your tool uses a 9.6 Volt, 12.0 Volt, 14.4 Volt or an 18.0 Volt B&D battery pack. When ordering replacement battery packs, be sure to include catalog number and voltage.

Extended Run-Time Battery Packs	Standard Battery Packs
9.6V 97148 	9.6V 97048 97046 
12.0V 97150 	12.0V 97050 
14.4V 97152 97153 	18.0V 97156 

XR PACK™ Extended Run-Time battery packs deliver 25% more run-time than standard battery packs. **NOTE:** Your tool will accept either standard or Extended Run Time battery packs. However, be sure to select proper voltage.

## Chargers (98014, 97014, 97015, 97016, 98020)

Cat No.	Charging a		Volts
	Standard Pack	1.7 Amp hour XR PACK™	
98014	60 minutes	75 minutes	12.0, 14.4
97014	45 minutes	60 minutes	12.0, 14.4
97015	40 minutes	50 minutes	12.0, 14.4
98020	15 minutes	15 minutes	12.0, 14.4
97016	40 minutes	50 minutes	18.0

Your battery can be charged in the **98014, 97014 (1 Hour Chargers)**, the **98020 (15 Minute Charger)**, or the **97015 or 97016 Charger**. (**NOTE:** Only the 97016 will charge 18.0V batteries.) Be sure to read all safety instructions before using your charger.

### Charging Procedure

These chargers require no adjustment and are designed to be as easy as possible to operate. Simply place your battery pack into the receptacle of a plugged in charger (FIG.1) and it will automatically charge the pack.

#### 98014/97014 (1 Hour Chargers)

1. Plug the charger into an appropriate AC power outlet.
2. Insert the battery pack into the charger, as shown in FIG.1, making sure the pack is fully seated in the charger. The red (charging) light will blink continuously indicating that the charging process has started.
3. The battery pack will be fully charged in about 1 hour. The completion of charge will be indicated by the red light remaining ON continuously. The pack is fully charged and may be used at this time or left in the charger.

#### 98020 (15 Minute Charger)

1. Plug the charger into an appropriate AC power outlet. The charger will beep twice, the red light will blink and go off.

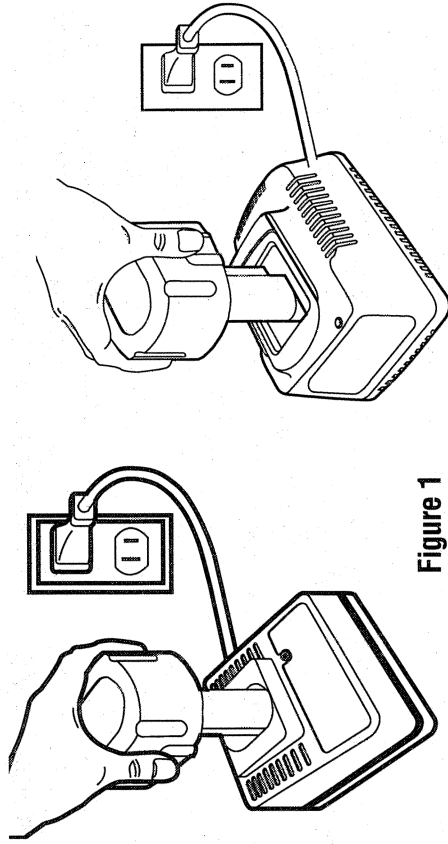


Figure 1

2. Insert the battery pack into the charger, as shown in FIG. 1, making sure the pack is fully seated in the charger. The red light will blink and the charger will beep once indicating the charging process has started.
3. The battery pack will be fully charged in less than 15 minutes under most conditions. This will be indicated by the red light remaining ON and 3 beeps. The pack is fully charged and may be used at this time or left in the charger.

**Weak Battery Packs (98020).** The charger can also detect a weak battery. Such batteries are still usable but should not be expected to perform as much work. In such cases, about 10 seconds after battery insertion, the charger will beep rapidly 8 times to indicate a weak battery condition. The charger will then go on to charge the battery to the highest capacity possible.

#### 97015/97016

1. Plug the charger into an appropriate AC power outlet.
2. Insert the battery pack into the charger, as shown in FIG. 1, making

sure the pack is fully seated in the charger. The red (charging) light will blink continuously indicating that the charging process has started.

3. The completion of charge will be indicated by the red light remaining ON continuously. The pack is fully charged and may be used at this time or left in the charger.

**Leaving the battery pack in the charger:** When the red light remains ON, the charger has switched to its "equalize charge" mode which lasts approximately 4 hours, after which the charger will switch to "maintenance charge" mode. The battery pack can be removed at any time during these charge cycles, but will only be fully charged if the red light is continuously ON. The charger and battery pack can be left connected with the red light glowing indefinitely. The charger will keep the battery pack fresh and fully charged. A battery pack will slowly lose its charge when kept out of the charger. If the battery pack has not been kept on maintenance charge, it may need to be recharged before use. A battery pack may also slowly lose its charge if left in a charger that is not plugged into an appropriate AC source.

**Trouble Indicators:** These chargers are designed to detect certain problems that can arise with battery packs which would be indicated by the red light flashing at a fast rate (and continuous beeping for 98020, 98014, 97014). If this occurs, re-insert battery pack. If problem persists, try a different battery pack to determine if the charger is OK. If the new pack charges correctly, then the original pack is defective and should be returned to a service center for recycling. If the new battery pack elicits the same trouble indication as the original, have charger tested at an authorized service center.

#### **Problem Power Line (97015, 97016)**

When these chargers are used with some portable power sources such as generators or sources that convert DC to AC, the chargers may temporarily suspend operation, **flashing the red light with two fast blinks followed by a pause**. This indicates the power source is out of limits.

#### **Hot Pack Delay (97016):**

When the charger detects a battery that is hot, it automatically starts a Hot Pack Delay, suspending charging until the battery has cooled. After the battery has cooled, the charger automatically switches to the Pack Charging mode. This feature ensures maximum battery life. The red light flashes long, then short while in the Hot Pack Delay mode.

#### **Important Charging Notes**

1. Longest life and best performance can be obtained if the battery pack is charged when the air temperature is between 65°F and 75°F (18°-24°C). DO NOT charge the battery pack in an air temperature below +40°F(+4.5°C), or above +105°F (+40.5°C). This is important and will prevent serious damage to the battery pack.
2. The charger and battery pack may become warm to touch while charging. This is a normal condition, and does not indicate a problem.
3. **(98020 ONLY)** This charger has an internal temperature limit that, when exceeded, will temporarily stop the full charge current. This is indicated by the yellow light being ON. The normal charge cycle will resume when the temperature falls below the preset limit and will be indicated by the yellow light turning OFF. The charge time may be extended beyond the normal 15 minutes. Use the charger in normal room temperatures whenever possible. To prevent overheating, do not cover the charger and do not charge battery packs in direct sunlight or near heat sources.
4. If the battery pack does not charge properly — (1) Check current at receptacle by plugging in a lamp or other appliance, (2) Check to see if receptacle is connected to a light switch which turns power off when you turn out the lights. (3) Move charger and battery pack to a location where the surrounding air temperature is approximately 65°F - 75°F (18° - 24°C). (4) If charging problems persist, take or send the tool,

battery pack and charger to your local service center.

5. The battery pack should be recharged when it fails to produce sufficient power on jobs which were easily done previously. **DO NOT CONTINUE** to use under these conditions. Follow the charging procedure. You may also charge a partially used pack whenever you desire with no adverse affect on the battery pack.
6. Under certain conditions, with the charger plugged in to the power supply, the exposed charging contacts inside the charger can be shorted by foreign material. Foreign materials of a conductive nature such as, but not limited to, steel wool, aluminum foil, or any buildup of metallic particles should be kept away from charger cavities. Always unplug the charger from the power supply when there is no battery pack in the cavity. Unplug charger before attempting to clean.
7. Do not freeze or immerse charger in water or any other liquid.
8. **WARNING:** Don't allow any liquid to get inside charger. Electric shock may result. To facilitate the cooling of the battery pack after use, avoid placing the charger or battery pack in a warm environment such as in a metal shed, or an uninsulated trailer.
9. **CAUTION:** Never attempt to open the battery pack for any reason. If the plastic housing of the battery pack breaks or cracks, return to a service center for recycling.

### **Important!**

This product is not user servicable. There are no user servicable parts inside the charger. Servicing at an authorized service center is required to avoid damage to static sensitive internal components.

**READ ALL OF THE INSTRUCTIONS IN THE BATTERY CHARGER SECTION OF THIS MANUAL BEFORE ATTEMPTING TO CHARGE THE BATTERY PACK FOR YOUR TOOL.**

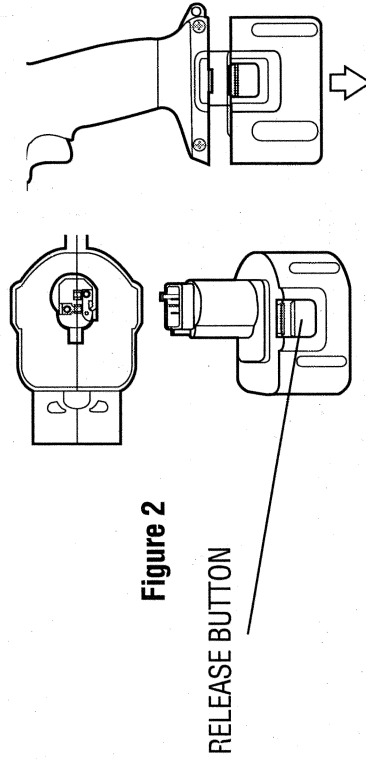
Always use correct battery pack (pack supplied with tool or replacement pack exactly like it.) See chart on inside cover to determine correct battery pack voltage. Never install any other battery pack. It will ruin your tool and may create a hazardous condition.

### **Removing and Installing the Battery Pack**

**NOTE: YOUR BATTERY PACK WILL NOT BE FULLY CHARGED OUT OF THE CARTON.**

To install the battery pack into the tool handle, align the base of the tool with the notch inside the tool's handle and slide the battery pack firmly into the handle until you hear the lock snap into place as shown in Figures 2 and 3.

To remove the battery pack from the tool, press the release buttons, as shown in Figure 3, and firmly pull the battery pack out of the tool handle. Insert it into the charger as described in the charger section of this instruction manual.



**Figure 2**

RELEASE BUTTON



# TOOL OPERATION

To turn the tool "ON," squeeze the trigger switch. To turn the tool "OFF," release the trigger switch (Figure 4). Your driver/drill is equipped with a brake. The chuck will stop as soon as the trigger switch is fully released.

Your driver/drill is equipped with a variable speed switch which enables you to select the best speed for a particular application. The farther you squeeze the trigger, the faster the tool will operate.

Use lower speeds for starting holes without a centerpunch, drilling in metals or plastics, driving screws and drilling ceramics, or in any application requiring high torque. Higher speeds are better for drilling in wood, wood compositions and for using abrasive and polishing accessories. For maximum tool life, use variable speed only for starting holes or fasteners.

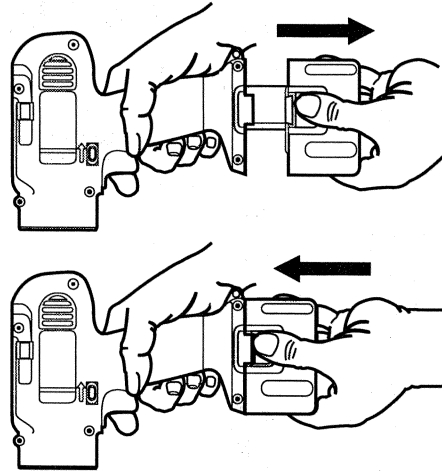


Figure 3

**NOTE:** Continuous use in variable speed range is not recommended. It may damage the switch and should be avoided.

## Forward/Reverse Control Button

A forward/reverse control button determines the direction of the tool and also serves as a "lock off" button. To select forward rotation, release the trigger switch and depress the forward/reverse control button on the right side of the tool, as shown in Figure 5a.

To select reverse, depress the forward/reverse control button on the left side of the tool as shown in Figure 5b. The center position of the control button locks the tool in the "OFF" position as shown in Figure 5c.

When changing the position of the forward/reverse control button, be sure the trigger is released.

**NOTE:** The first time the tool is run after changing the direction of rotation, you may hear a click on start up. This is normal and does not indicate a problem.

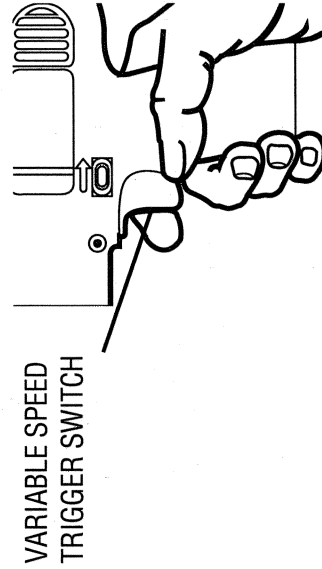


Figure 4

## Torque Adjustment Collar

Your driver/drill has an adjustable torque screwdriver mechanism for driving and removing a wide array of fastener shapes and sizes.

Circling the collar are numbers ranging from 0 to 5, and a drill bit symbol. These numbers (and half numbers designated by dots on the collar) are used to set the clutch to deliver a torque range.

The higher the number on the collar, the higher the torque and the larger the fastener which can be driven. To select any of the numbers, rotate until the desired number aligns with the selector, shown in Figure 6.

## Dual Range Gearing

The dual range feature of your driver/drill allows you to shift gears for greater versatility.

To select the low speed, high torque setting, turn the tool off and permit the unit to stop. Slide the gear shifter forward (towards the chuck - position 1), as shown in Figure 6.

To select the high speed, low torque setting, turn the tool off and permit the unit to stop. Slide the gear shifter back (away from chuck - position 2).

**NOTE:** Do not change gears when the tool is running.

Refer to the chart below to determine the available speeds of your model of driver/drill.

## Troubleshooting Tip!

If you are having trouble changing gears, make sure that the dual range gear shifter is either completely pushed forward or completely pushed back.

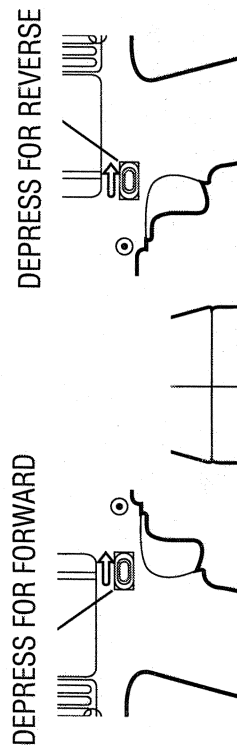
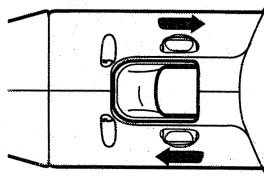


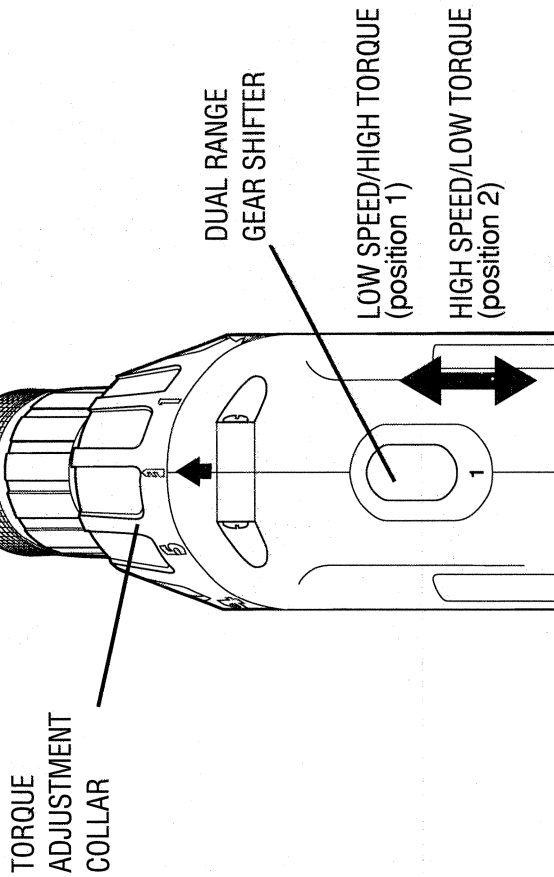
Figure 5a

Figure 5b



CENTER POSITION: LOCKED OFF

Figure 6



## Keyless Chuck

Your tool features a keyless chuck for greater convenience. To insert a drill bit or other accessory, follow the steps listed below.

1. Lock the trigger switch in the OFF position as shown in Figure 5c.
2. Grasp the rear half of the chuck with one hand and use your other hand to rotate the front half counterclockwise, as shown in Figure 7. Rotate far enough so that the chuck opens sufficiently to accept the desired accessory.
3. Insert the bit or other accessory about 3/4" into the chuck and tighten securely by holding the rear half of the chuck and rotating the front portion in the clockwise direction.

To release the accessory, repeat step 2 listed above.

**WARNING:** Do not attempt to tighten drill bits (or any other accessory) by gripping the front part of the chuck and turning the tool on. Damage to the chuck and personal injury may result. Always lock off trigger switch when changing accessories.

## Chuck Removal

Always wear eye protection.

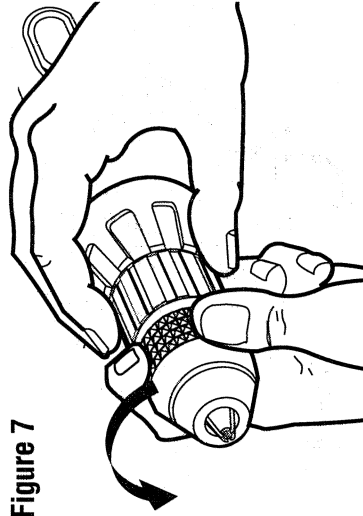
Lock off the tool and turn the adjustment collar to the "drill" position and low speed gear shifter to position 1. Tighten the chuck around the shorter end of a hex key (not supplied) of 1/4" or greater size. Using a wooden mallet or similar object, strike the longer end in the clockwise direction, as shown in Figure 8. This will loosen the screw inside the chuck.

Open chuck jaws fully, insert screwdriver (or Torx tool if required) into front of chuck between jaws to engage screw head. Remove screw by turning clockwise (left-hand-thread). Place hex key in chuck and tighten, as shown in Figure 9. Using a wooden mallet or similar object, strike key sharply in the counter clockwise direction. This will loosen the chuck so that it can be unscrewed by hand.

## Chuck Installation

Lock off the tool. Screw the chuck on by hand as far as it will go. Tighten the chuck around the shorter end of a 1/4" or larger hex key (not supplied) strike the longer end in the clockwise direction with a wooden mallet, as shown in Figure 8. Insert and tighten the screw by turning in a counter clockwise direction.

Figure 7



### Helpful Hint!

Be sure to tighten chuck with two hands- one on both the rear sleeve and the forward sleeve for maximum tightness.

Catalog No.	Low Range	High Range
2755	0 - 400	0 - 1100
2840	0 - 400	0 - 1200
2852	0 - 450	0 - 1400
2757	0 - 400	0 - 1200
2861	0 - 450	0 - 1450
2893	0 - 450	0 - 1400
2895	0 - 450	0 - 1400

## Operation as a Drill

Turn the collar to the drill bit symbol. Install and tighten the desired drill bit in the chuck. Select the desired speed/torque range using the dual range gear shifter to match the speed and torque to the planned operation.

Follow these instructions for best results when drilling.

## Drilling

1. Use sharp drill bits only. For **WOOD**, use twist drill bits, spade bits, power auger bits, or hole saws. For **METAL**, use high speed steel twist drill bits or hole saws. For **MASONRY**, such as brick, cement, cinder block, etc., use carbide-tipped bits.
2. Be sure the material to be drilled is anchored or clamped firmly. If drilling thin material, use a "back-up" block to prevent damage to the material.
3. Always apply pressure in a straight line with the bit. Use enough pressure to keep the drill bit biting, but do not push hard enough to stall the motor or deflect the bit.
4. Hold tool firmly to control the twisting action of the drill.
5. **IF DRILL STALLS**, it is usually because it is being overloaded. **RELEASE TRIGGER IMMEDIATELY**, remove drill bit from work, and determine cause of stalling. **DO NOT CLICK TRIGGER OFF AND ON IN AN ATTEMPT TO START A STALLED DRILL – THIS CAN DAMAGE THE DRILL.**

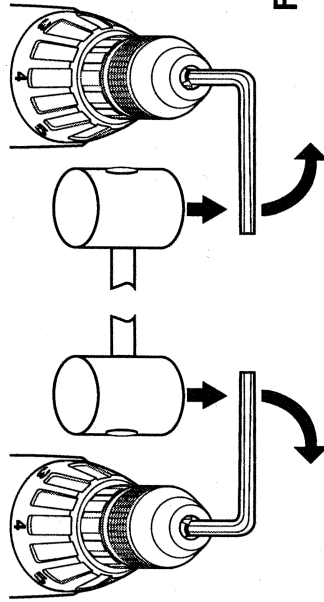


Figure 8

Figure 9

6. To minimize stalling on breaking through the material, reduce pressure on drill and ease the bit through the last fractional part of the hole.
7. Keep the motor running when pulling the bit back out of a drilled hole. This will help prevent jamming.
8. With variable speed drills there is no need to center punch the point to be drilled. Use a slow speed to start the hole and accelerate by squeezing the trigger harder when the hole is deep enough to drill without the bit skipping out. Operate at full on after starting the bit.

## Drilling in Wood

Holes in wood can be made with the same twist drills used for metal. These bits may overheat unless pulled out frequently to clear chips from the flutes. For larger holes, use low speed wood bits. Work that is likely to splinter should be backed up with a block of wood.

## Drilling in Metals

Use a cutting lubricant when drilling metals. The exceptions are cast iron and brass which should be drilled dry. The cutting lubricants that work best are sulphurized cutting oil or lard oil; bacon grease will also serve the purpose.

## Drilling in Masonry

Use carbide tipped masonry bits at low speeds. Keep even force on the drill but not so much that you crack the brittle materials. A smooth, even flow of dust indicates the proper drilling rate.

## Operation as a Screwdriver

Select the desired speed/torque range using the dual range gear shift lever on the top of tool to match the speed and torque to the planned operation.

Insert the desired fastener accessory into the chuck as you would any drill bit. Set the torque adjustment collar (Figure 6). Make a few practice runs in scrap or unseen areas to determine the proper position of the clutch collar.

**CLEANING:** With the motor running, blow dirt and dust out of all air vents with dry air at least once a week. Wear safety glasses when performing this. Exterior plastic parts may be cleaned with a damp cloth and mild detergent. Although these parts are highly solvent resistant, NEVER use solvents.

## Charger Cleaning Instructions:

**WARNING:** Disconnect the charger from the AC outlet before cleaning. Dirt and grease may be removed from the exterior of the charger using a cloth or soft non-metallic brush. Do not use water or any cleaning solutions.

## Accessories

Recommended accessories for use with your tool are available at extra cost from your distributor or local service center. A complete listing of service centers is included with your tool.

**CAUTION:** The use of any non-recommended accessory may be hazardous.

If you need any assistance in locating any accessory call 1-800-9-BD TOOL (1-800-923-8665) or contact Black & Decker (U.S.) Inc., Consumer Services Department, P.O. Box 618, 626 Hanover Pike, Hampstead, MD 21074.

## Maximum Recommended Capacities

	Low Range- 1	High Range- 2
BITS, METAL DRILLING	3/8"	1/4"
WOOD, FLAT BORING	1"	5/8"

## **IMPORTANT!**

To assure product safety and reliability, particularly for Double Insulated tools, repairs, maintenance and adjustment (excluding maintenance described in this manual) should be performed by B&D service centers or authorized service centers, using identical B&D replacement parts.

Every B&D tool is of the highest quality.

If you wish to contact us regarding this product, please call toll free between 8:00am and 8:00pm ET, seven days a week:

**1-800-9-BD TOOL**

**(1-800-923-8665)**

## **One Year Service/Safety Check**

All B&D tools for Industry and Construction are covered under a service/safety check program where B&D will inspect your tool for safety and provide necessary maintenance or repairs, including normal wear and tear parts, for one year, FREE OF CHARGE.

## **Full Warranty**

All B&D tools for Industry and Construction are warranted to be free of any defects in materials or workmanship. Upon thorough examination of tool, B&D will repair or replace, at our option, any product that is determined to be defective.

## **Conditions**

The service/safety check and the warranty do not apply to: repairs made or attempted by anyone other than an authorized B&D service location; misuse, abuse, neglect, improper application of the tool; missing parts; or normal wear and tear (after first year of ownership). Please return the complete unit, transportation prepaid, to any B&D factory owned or B&D authorized service center location (list provided with tool or see Yellow Pages under "Tools Electric").



---

**Black & Decker (U.S.) Inc. • 701 East Joppa Road, Towson, Maryland 21286**

**Printed in U.S.A. (MAY96-CD-1) Form No. 159131-03 Copyright © 1993, 1995, 1996**