

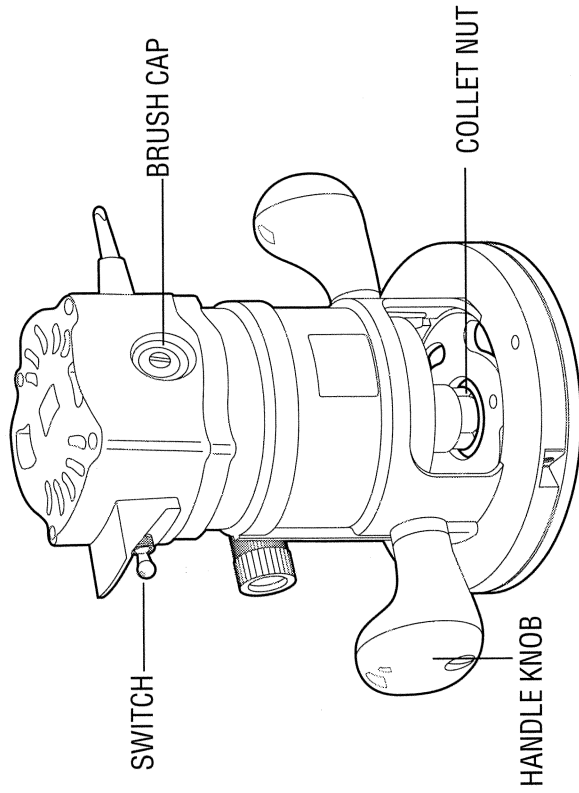
# **Instruction Manual**

## **2720 • 2721 Routers**

## Getting the most out of your tool.

Please take time to read this manual and pay particular attention to the safety rules we've provided for your protection. If you have any questions about your tool please call:

**1-800-9-BD TOOL**  
**(1-800-923-8665)**



- 2720** 1 1/2 - HP Router (1/4" Collet)
- 2721** 1 1/2 - HP Router (1/2" Collet)

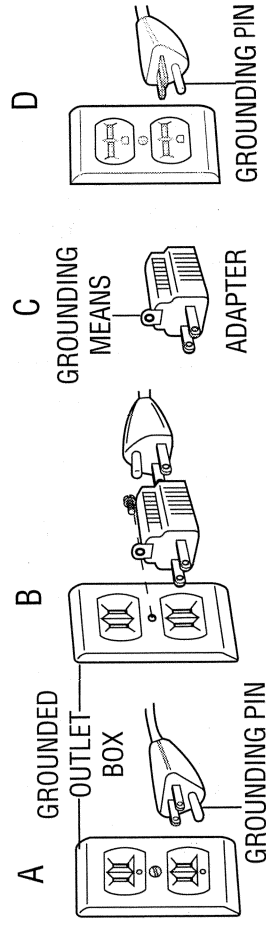
# IMPORTANT SAFETY INSTRUCTIONS

**⚠ WARNING:** When using electric tools, basic safety precautions should always be followed to reduce risk of fire, electric shock, and personal injury, including the following:

## READ ALL INSTRUCTIONS

### Grounding Instructions

This tool should be grounded while in use to protect the operator from electric shock. The tool is equipped with a 3-conductor cord and 3-prong grounding type plug to fit the proper grounding type receptacle. The green (or green and yellow) conductor in the cord is the grounding wire. Never connect the green (or green and yellow) wire to a live terminal. If your unit is intended for use on less than 150 V, it has a plug that looks like that shown in sketch A. If it is for use on 150 to 250 V, it has a plug that looks like that shown in sketch B. An adapter, sketches B and C, is available for connecting sketch A type plugs to 2-prong receptacles. The green-colored rigid ear, lug, or the like, extending from the adapter must be connected to a permanent ground, such as a properly grounded outlet box. No adapter is available for a plug as shown in sketch D. **ADAPTER SHOWN IN FIGURES B and C IS NOT FOR USE IN CANADA.** Use only 3-wire extension cords that have 3-prong grounding-type plugs and 3-pole receptacles that accept the tool's plug. Replace or repair damaged cords.



## Safety Instructions For All Tools

- **KEEP WORK AREA CLEAN.** Cluttered areas and benches invite injuries.
- **CONSIDER WORK AREA ENVIRONMENT.** Don't expose power tools to rain. Don't use power tools in damp or wet locations. Keep work area well lit. Do not use tool in presence of flammable liquids or gases.
- **GUARD AGAINST ELECTRIC SHOCK.** Prevent body contact with grounded surfaces. For example; pipes, radiators, ranges, and refrigerator enclosures.
- **KEEP CHILDREN AWAY.** Do not let visitors contact tool or extension cord. All visitors should be kept away from work area.
- **STORE IDLE TOOLS.** When not in use, tools should be stored in dry, and high or locked-up place — out of reach of children.
- **DON'T FORCE TOOL.** It will do the job better and safer at the rate for which it was intended.
- **USE RIGHT TOOL.** Don't force small tool or attachment to do the job of a heavy-duty tool. Don't use tool for purpose not intended.
- **DRESS PROPERLY.** Do not wear loose clothing or jewelry. They can be caught in moving parts. Rubber gloves and non-skid footwear are recommended when working outdoors. Wear protective hair covering to contain long hair.
- **USE SAFETY GLASSES.** Also use face or dust mask if operation is dusty.
- **DON'T ABUSE CORD.** Never carry tool by cord or yank it to disconnect from receptacle. Keep cord from heat, oil, and sharp edges.
- **SECURE WORK.** Use clamps or a vise to hold work. It's safer than using your hand and it frees both hands to operate tool.
- **DON'T OVERREACH.** Keep proper footing and balance at all times.
- **MAINTAIN TOOLS WITH CARE.** Keep tools sharp and clean for better and safer performance. Follow instructions for lubricating and changing accessories. Inspect tool cords periodically and if damaged, have repaired by authorized service facility. Inspect extension cords periodically and replace if damaged. Keep handles dry, clean, and free from oil and grease.
- **DISCONNECT OR LOCK OFF TOOLS** when not in use, before servicing, and when changing accessories, such as blades, bits, cutters.
- **REMOVE ADJUSTING KEYS AND WRENCHES.** Form habit of checking to see that keys and adjusting wrenches are removed from tool before turning it on.

- **AVOID UNINTENTIONAL STARTING.** Don't carry tool with finger on switch. Be sure switch is off when plugging in.
- **EXTENSION CORDS.** Make sure your extension cord is in good condition. When using an extension cord, be sure to use one heavy enough to carry the current your product will draw. An undersized cord will cause a drop in line voltage resulting in loss of power and overheating. The following table shows the correct size to use depending on cord length and nameplate ampere rating. If in doubt, use the next heavier gage. The smaller the gage number, the heavier the cord.

### Minimum Gage for Cord Sets

Volts	Total Length of Cord in Feet		
	0-25	26-50	51-100
120V			101-150
240V	0-50	51-100	101-200 201-300

Ampere Rating More Than	Not more Than	AWG	
0	6	18	16 14
6	10	18	16 14 12
10	12	16	16 14 12
12	16	14	12 Not Recommended

- **OUTDOOR USE EXTENSION CORDS.** When tool is used outdoors, use only extension cords intended for use outdoors and so marked.
- **STAY ALERT.** Watch what you are doing. Use common sense. Do not operate tool when you are tired.
- **CHECK DAMAGED PARTS.** Before further use of the tool, a guard or other part that is damaged should be carefully checked to determine that it will operate properly and perform its intended function. Check for alignment of moving parts, binding of moving parts, breakage of parts, mounting, and any other conditions that may affect its operation. A guard or other part that is damaged should be properly repaired or replaced by an authorized service center unless otherwise indicated elsewhere in this instruction manual. Have defective switches replaced by authorized service center. Do not use tool if switch does not turn it on and off.

## SAVE THESE INSTRUCTIONS

## Motor

Your B&D tool is powered by a B&D built motor. Be sure your power supply agrees with the nameplate marking. Voltage decrease of more than 10% will cause loss of power and overheating. All B&D tools are factory tested; if this tool does not operate, check the power supply.

## Switch

To turn the tool on, push the switch toggle as indicated on the tool. To turn the tool off, push the toggle toward the indicated off position on the tool.

## Collet

NEVER TIGHTEN COLLET NUT IF THERE IS NO CUTTER IN THE COLLET. COMPRESSING COLLET TOO MUCH MIGHT RESULT IN IT BEING DAMAGED.

## To Change Collet

TURN OFF TOOL AND DISCONNECT FROM POWER SUPPLY.

Using the supplied wrenches as necessary, simply unscrew and remove the collet nut. Pull the collet out of the end of the shaft.

## Installing Router Bits

TURN OFF TOOL AND DISCONNECT FROM POWER SUPPLY.

To install router bit, first open the collet by loosening the collet nut. Use the supplied wrenches if necessary. Insert the shaft of the desired bit into the collet as far as possible. Hold the router shaft with one of the wrenches and firmly tighten the collet nut with the other.

**⚠ CAUTION:** Router bits are sharp. Use care in handling them.

Figure 1

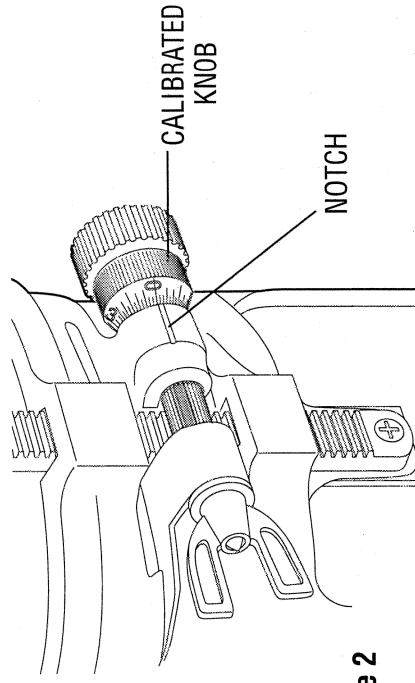
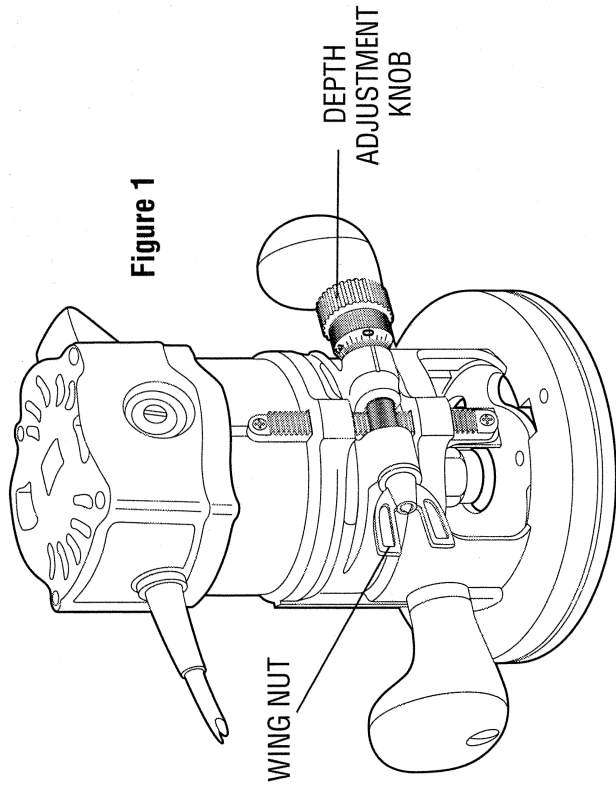
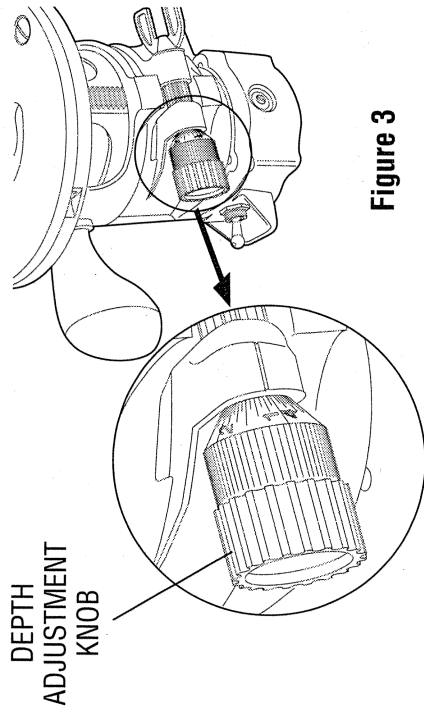


Figure 2



**Figure 3**

## Depth Adjustment

To adjust router cutting depth:

1. TURN OFF TOOL AND DISCONNECT FROM POWER SUPPLY.
2. Select and install the desired bit.
3. Place the router down on its base on the work piece.
4. Loosen wing nut on the depth adjuster and turn the depth adjusting knob, shown in Figure 1, to raise or lower the bit until it just touches the work piece.
5. Rotate the calibrated knob to align the "0" mark with the notch in the housing as shown in Figure 2.
6. Turn the router upside down and put it on the work piece.
7. Rotate the depth adjusting knob until the desired depth, as shown on the knob, is aligned with the notch in the housing, as shown in Figure 3.
8. Tighten the wing nut. The depth is now set.

**⚠ CAUTION: The wing nut should always be tight when the router is in use.**

## Operation

All common routing tasks can be performed with ease with the router; grooving rabbeting, recessing, veining, and profiling on all types of wood and plastic.

Always feed the router opposite to the direction in which the cutter is rotating. The router should be moved in a counterclockwise direction when working around a template, or routing free-hand. Keep handle knobs in place and operate with both hands on the knobs for proper control.

After setting the cutting depth as described, locate the router such that the bit is directly over the place you will be cutting. With the router running, lower the unit smoothly down into the work piece.

## Lubrication

Your router uses sealed ball bearings and no periodic lubrication is required.

## IMPORTANT!

To assure product safety and reliability, particularly for double insulated tools, repairs, maintenance and adjustment (excluding maintenance described in this manual) should be performed by B&D service centers or authorized service centers, using identical B&D replacement parts.

## Accessories

Recommended accessories for use with your tool are available at extra cost from your distributor or local service center.

**⚠ CAUTION:** The use of any non-recommended accessory may be hazardous.

If you need assistance in locating any accessory call **1-800-9-BD TOOL**: (1-800-923-8665) or contact Black & Decker (U.S.) Inc., Consumer Services Department, 626 Hanover Pike, P.O. Box 618, Hampstead, MD 21074.

Every B&D tool is of the highest quality.

If you wish to contact us regarding this product, please call toll free between 8:00am and 8:00pm ET, seven days a week:

**1-800-9-BD TOOL**

(1-800-923-8665)

## One Year Free Maintenance

All B&D tools for Industry and Construction are covered under a one year free maintenance program where B&D will inspect your tool for safety and provide necessary maintenance or repairs, including normal wear and tear parts, for one year, FREE OF CHARGE.

## Full Warranty

All B&D tools for Industry and Construction are warranted to be free of any defects in materials or workmanship. Upon thorough examination of tool, B&D will repair or replace, at our option, any product that is determined to be defective.

## Conditions

The service/safety check and the warranty do not apply to: repairs made or attempted by anyone other than an authorized B&D service location; misuse, abuse, neglect, improper application of the tool; missing parts; or normal wear and tear (after first year of ownership). Please return the complete unit, transportation prepaid, to any B&D factory owned or B&D authorized service center location (list provided with tool or see Yellow Pages under "Tools Electric").

# YOUR POWER TOOLS MAY BE SERVICED AT THE FOLLOWING B&D SERVICE CENTERS.

<b>ALABAMA:</b> Birmingham 35209, 2412 Green Springs Hwy. .... 205-942-0538 Mobile 36608, 3831 Airport Blvd. .... 205-343-6624	<b>IOWA:</b> Des Moines 50310, 3427 Merle Hay Rd. .... 515-270-1340 Wichita 67213, 155 S. West St. .... 316-943-1271	<b>KANSAS:</b> Wichita 67213, 155 S. West St. .... 316-943-1271	<b>KENTUCKY:</b> Louisville 40213, 5211 Preston Hwy. .... 502-968-7100	<b>LOUISIANA:</b> Baton Rouge 70815, 11859 Florida Blvd. .... 504-272-9111 Harvey 70058, 2500 Lapalco Blvd. .... 504-366-8676 Metairie (New Orleans) 70002, 3504 N. Causeway Blvd. .... 504-837-2550 Shreveport 71108, 7710-7714 Jewella Rd. .... 318-688-1553	<b>MARYLAND:</b> Baltimore (East) 21205, 4712 Erdman Ave. .... 410-485-5550 Baltimore (North) 21203, 29-31 Cranbrook Rd., Cockeysville. .... 410-666-5966 Baltimore (South) 21122, 8220 Ritchie Hwy, Pasadena. .... 410-647-8456 Colmar Manor 20722, 4153 Bladensburg Rd. .... 301-779-3808	<b>MASSACHUSETTS:</b> Sittington (Boston) 02135, 12 Market St. .... 617-362-6264 Seekonk 02771, 120 Highland Ave. .... 508-736-6510	<b>MICHIGAN:</b> Grand Rapids 49512, 3040 28th St., S.E. .... 616-949-8391 Lansing 48917, 3203 W. Saginaw Hwy. .... 517-323-4181 Warren 48093, 27035 Van Dyke Blvd. .... 313-756-6711 Westland (Detroit) 48185, 8067 North Wayne Rd. .... 313-427-1520	<b>MINNESOTA:</b> Bloomington (Minneapolis-St. Paul) 55420, 9517 Lyndale Ave., S. .... 612-884-9191	<b>MISSOURI:</b> Kansas City 64111, 4324 Main St. .... 816-531-0629 St. Ann (North St. Louis) 63074, 3637 North Lindbergh Blvd. .... 314-739-4661 St. Louis 63131, 12852 Manchester Rd. .... 314-821-8740	<b>NEBRASKA:</b> Omaha 68127, 4225 S. 84th St. .... 402-592-5666	<b>NEVADA:</b> Las Vegas 89104, 3411 East Charleston Blvd. .... 702-641-6555	<b>NEW JERSEY:</b> Cherry Hill 08034, 1444 E. Marlton Pike/Rte. 70 .... 609-429-2822 Little Falls 07424, 1189 U.S. Highway 46. .... 201-256-9373 Union (Scotch Plains) 07076, 2520 Route #22 East .... 908-233-5665	<b>NEW MEXICO:</b> Albuquerque 87110, 5617 Menaul Blvd., N.E. .... 505-884-1002	<b>NEW YORK:</b> Buffalo 14209, 881 W. Delavan Ave. .... 716-884-6220 Centereach L.I. 11720, 2061-63 Middle Country Rd. .... 516-737-4706 Elmhurst (New York) 11373, 77-20 Queens Blvd. .... 718-335-1042 Latham (Albany) 12110, 836 Troy-Schenectady Rd. .... 518-785-1867 Rochester 14623, 2969 W. Henrietta Rd. .... 716-424-1310 Syracuse 13214, 3485 Erie Blvd., East .... 315-446-3086 Westbury L.I. (New York) 11590, 1061 Old Country Rd. .... 516-997-6140	<b>NORTH CAROLINA:</b> Charlotte 28205, 3007 E. Independence Blvd. .... 704-374-1779 Greensboro 27407, 3716 High Point Rd. .... 910-852-1300 Raleigh 27604, 2930 Capital Blvd. .... 919-878-0357	<b>OHIO:</b> Cincinnati 45241, 2310 E. Sharon Rd. .... 513-772-3111 Columbus 43227, 3975 E. Livingston Ave. .... 614-237-0461 Dayton 45409, 2898 S. Dixie Dr. .... 513-298-1951 Mayfield Heights (East Cleveland) 44124, 5881 Mayfield Rd. .... 216-449-2770										
<b>ALABAMA:</b> Birmingham 35209, 2412 Green Springs Hwy. .... 205-942-0538 Mobile 36608, 3831 Airport Blvd. .... 205-343-6624	<b>ALASKA:</b> Anchorage 99518, 910 West International Airport Rd. .... 907-563-4664	<b>ARIZONA:</b> Mesa 85202, 535 S. Dobson, Suite 7. .... 602-461-1074 Phoenix 85013, 4501 N. 7th Avenue. .... 602-279-6414 Tucson 85712, 4845 E. Speedway Blvd. .... 602-323-3388	<b>ARKANSAS:</b> Little Rock 72201, 519 W. Seventh St. .... 501-372-3040	<b>CALIFORNIA:</b> Anaheim 92806, 540 South State College Blvd. .... 714-772-4050 Chula Vista 91910, 309 Broadway. .... 619-420-6350 Concord 94520, 1500 Monument Blvd., #C2. .... 510-682-4880 Fresno 93710, 5412 North Blackstone Ave. .... 209-435-0810 Long Beach 90805, 2011 South St. .... 310-422-5825 Los Angeles 90040, 4820 South Eastern Ave., Suite "L". .... 213-720-1834 Riverside 92506, 6215 Magnolia Ave., Suite "B". .... 909-787-9700 Sacramento 95825, 2033 Fulton Ave. .... 916-972-9090 San Diego 92123, 9270 Clairemont Mesa Blvd. .... 619-279-2011 San Jose 95128, 1185 So. Bascom Ave. .... 408-293-7350 San Leandro 94578, 15206 E. 14th St. .... 510-276-1610 Van Nuys 91411, 14920 Victory Blvd. .... 818-787-5531	<b>COLORADO:</b> Denver 80219, 1171 S. Federal Blvd. .... 303-922-8325	<b>CONNECTICUT:</b> Orange 06477, 481 Boston Post Rd. .... 203-795-5683 Wethersfield (Hartford) 06109, 662 Silas Dean Hwy. .... 203-563-5600	<b>DISTRICT OF COLUMBIA:</b> Washington Colmar Manor 20722, 4153 Bladensburg Rd. .... 301-779-3808 Falls Church, VA 22046, 344 W. Broad St. .... 703-533-7313	<b>FLORIDA:</b> Ft. Lauderdale 33334, 799 E. Oakland Pk. Blvd. .... 305-566-5102 Ft. Myers 33907, 5224 Bank Street. .... 813-278-1188 Jacksonville 32205, 920 Cassat Ave. .... 904-781-2253 Miami (North) 33168, 13345 N.W. Seventh Ave. .... 305-681-6658 Miami (South) 33156, 12233 So. Dixie Hwy. .... 305-232-9497 Orlando 32803, 3807 E. Colonial Dr. .... 407-894-7011 St. Petersburg 33709, 5635 49th St., N. .... 813-525-0273 Tampa 33609, 3432 W. Kennedy Blvd. .... 813-872-8317 West Palm Beach 33415, 310 South Military Trail. .... 407-689-3247	<b>GEORGIA:</b> Atlanta (South) 30349, 5330 Old National Hwy. .... 404-762-8844 Smyrna 30080, 2550 Cobb Pkwy. .... 404-956-0869 Stone Mountain (Atlanta) 30086, 5723 Memorial Dr. .... 404-292-4714	<b>HAWAII:</b> Honolulu 96819, 330 Sand Island Access Road. .... 808-847-7447	<b>ILLINOIS:</b> Des Plaines (Chicago) 60018, 1277 South Elmhurst Rd. .... 708-364-5220 Lincolnwood (Chicago) 60646, 6710 N. Crawford Ave. .... 708-673-0923 Lisle (West Chicago) 60532, 2950 Ogden Ave., Unit H. .... 708-717-1075 Moline 61265, 4433 23rd Ave. .... 309-762-3000 Oak Lawn (Chicago) 60453, 6343 W. 95th St. .... 708-423-7212 Waukegan 60085, 39 S. Greenbay Rd. .... 808-249-4390	<b>INDIANA:</b> Evansville 47710, 307 First Ave., Crescent Ctr. .... 812-425-4269 Hammond 46323, 7103 Kennedy Ave. .... 219-845-5100 Indianapolis 46224, 5999 Crawfordsville Rd. .... 317-243-6308	<b>OHIO (CONT'D)</b> Parma Heights (Cleveland) 44130, 6483 Pearl Road. .... 216-842-9100 Toledo 43607, 3231 Dorr St. .... 419-531-8921	<b>OKLAHOMA:</b> Oklahoma City 73106, 1318 Linwood Blvd. .... 405-232-7515 Tulsa 74145, 3120 S. Sheridan Rd. .... 918-622-5666	<b>OREGON:</b> Portland 97209, 1640 N.W. Johnson St. .... 503-228-8631	<b>PENNSYLVANIA:</b> Evan's City 16033, 20808 Rt. 19 North. .... 412-779-9600 Harrisburg 17112, 6080 Allentown Blvd. .... 717-545-0651 Lancaster 17601, 118 Keller Ave. .... 717-393-5251 Philadelphia 19103, 333 N. 20th St. .... 215-564-5520 Philadelphia (North) 19115, 9977-81 Bustleton Ave. .... 215-464-7771 Pittsburgh 15232, 5437 Baum Blvd. .... 412-362-2700 Whitehall (Allentown) 18052, 2242 MacArthur Rd. .... 610-435-9544 Wilkes-Barre 18702, 759 Kidder Street. .... 717-824-5704	<b>PUERTO RICO:</b> Puerto Nuevo ..... 809-783-3535	<b>RHODE ISLAND:</b> See Seekonk, MA	<b>SOUTH CAROLINA:</b> Greenville 29607, 1557 Laurens Rd. .... 803-232-3038	<b>TENNESSEE:</b> Chattanooga 37421, 6231 Perimeter Drive, Space E. .... 615-894-5857 Knoxville 37917, 4118 N. Broadway. .... 615-688-0921 Memphis 38116, 1085 East Brooks Rd. .... 901-332-3444 Nashville 37211, 4811 Nolensville Rd. .... 615-833-8277	<b>TEXAS:</b> Amarillo 79106, 3008 West 6th Ave. .... 806-373-1531 Austin 78757, 6549 Burnet Rd. .... 512-459-1133 Dallas 75229, 2257 Royal Ln. .... 214-620-6655 El Paso 79915, 6822 Gateway East. .... 915-778-9769 Fort Worth 76111, 721 North Beach St. .... 817-831-3828 Garland 75043, 718 W. Centerville Rd. .... 214-666-9302 Houston 77022, 536 E. Tidwell Rd. .... 713-692-7111 Houston (S.W.) 77025, 9319 Stella Link Blvd. .... 713-664-3666 San Antonio 78201, 500 Culebra Ave. .... 210-732-1221 Webster 77598, 100 East Nada Rd. One ..... 713-338-4556	<b>UTAH:</b> Salt Lake City 84115, 1541 S. Third West St. .... 801-486-5828	<b>VIRGINIA:</b> Falls Church 22046, 344 W. Broad St. .... 703-533-7313 Harrison 23666, 3416 W. Mercury Blvd. .... 804-826-9382 Norfolk 23513, 7631 Sewells Point Rd. .... 804-490-3333 Richmond 23222, 1424 Chamberlayne Ave. .... 804-649-9245	<b>WASHINGTON:</b> Seattle 98108, 421 S. Michigan St. .... 206-763-2010 Spokane 99208, N. 7011 Division St. .... 509-467-8190 Tacoma 98409, 2602 S. 38th St. .... 206-473-6040	<b>WEST VIRGINIA:</b> Charleston 25312, 1638 Sixth Ave. .... 304-343-0289	<b>WISCONSIN:</b> Milwaukee (Wauwatosa) 53226, 10424 West Bluemound Rd. .... 414-453-4240

---

**Black & Decker (U.S.) Inc. • 701 East Joppa Road, Towson, Maryland 21286**

Printed in U.S.A. (NOV96-CD-2) Form No. 154412-01 Copyright © 1996