

# **Instruction Manual**

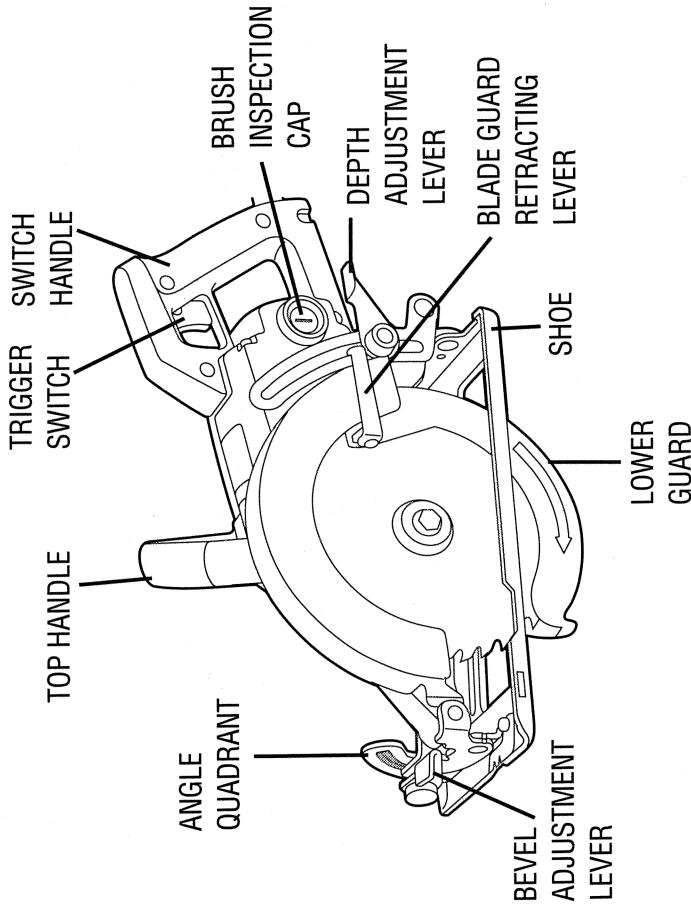
**2700 • 2701 • 2710**

**Worm Drive Saws**

## Getting the most out of your tool.

Please take time to read this manual and pay particular attention to the safety rules we've provided for your protection. Don't forget to send in your owner's registration card. If you have any questions about your tool please call:

**1-800-9-BD TOOL**  
**(1-800-923-8665)**



- 2700** 7 1/4" Worm Drive Circular Saw
- 2701** 7 1/4" Worm Drive Circular Saw with Twist Lock Plug
- 2710** 8 1/4" Worm Drive Circular Saw

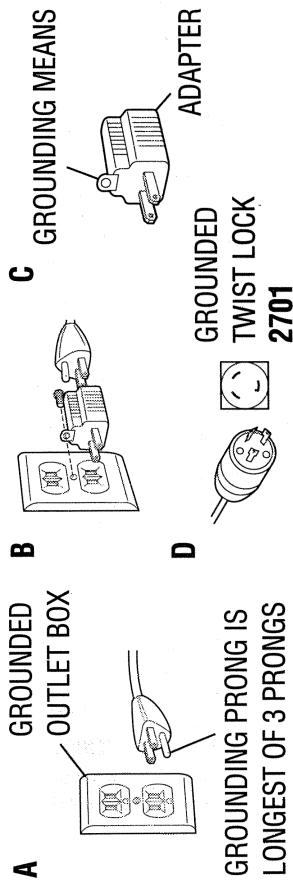
# FOR YOUR SAFETY - ALL TOOLS

**WARNING:** When using electric tools, basic safety precautions should always be followed to reduce risk of fire, electric shock, and personal injury, including the following:

### READ ALL INSTRUCTIONS

### Grounding Instructions

This tool should be grounded while in use to protect the operator from electric shock. The tool is equipped with a 3-conductor cord and 3-prong grounding type plug to fit the proper grounding type receptacle. The green (or green and yellow) conductor in the cord is the grounding wire. Never connect the green (or green and yellow) wire to a live terminal. If your unit is intended for use on less than 150 V, it has a plug that looks like that shown in sketch A. If it is for use on 150 to 250 V, it has a plug that looks like that shown in sketch D. An adapter, sketches B and C, is available for connecting sketch A type plugs to 2-prong receptacles. The green-colored rigid ear, lug, or the like, extending from the adapter must be connected to a permanent ground, such as a properly grounded outlet box. No adapter is available for a plug as shown in sketch D. ADAPTER SHOWN IN FIGURES B and C IS NOT FOR USE IN CANADA. Use only 3-wire extension cords that have 3-prong grounding-type plugs and 3-pole receptacles that accept the tool's plug. Replace or repair damaged cords.



**A** GROUNDING PRONG IS LONGEST OF 3 PRONGS

## Safety Instructions For All Tools

- **KEEP WORK AREA CLEAN.** Cluttered areas and benches invite injuries.
- **CONSIDER WORK AREA ENVIRONMENT.** Don't expose power tools to rain. Don't use power tools in damp or wet locations. Keep work area well lit. Do not use tool in presence of flammable liquids or gases.
- **GUARD AGAINST ELECTRIC SHOCK.** Prevent body contact with grounded surfaces. For example; pipes, radiators, ranges, and refrigerator enclosures.
- **KEEP CHILDREN AWAY.** Do not let visitors contact tool or extension cord. All visitors should be kept away from work area.
- **STORE IDLE TOOLS.** When not in use, tools should be stored in dry, and high or locked-up place — out of reach of children.
- **DON'T FORCE TOOL.** It will do the job better and safer at the rate for which it was intended.
- **USE RIGHT TOOL.** Don't force small tool or attachment to do the job of a heavy-duty tool. Don't use tool for purpose not intended- for example- don't use circular saw for cutting tree limbs or logs.
- **DRESS PROPERLY.** Do not wear loose clothing or jewelry. They can be caught in moving parts. Rubber gloves and non-skid footwear are recommended when working outdoors. Wear protective hair covering to contain long hair.
- **USE SAFETY GLASSES.** Also use face or dust mask if cutting operation is dusty.
- **DON'T ABUSE CORD.** Never carry tool by cord or yank it to disconnect from receptacle. Keep cord from heat, oil, and sharp edges.
- **SECURE WORK.** Use clamps or a vise to hold work. It's safer than using your hand and it frees both hands to operate tool.
- **DON'T OVERREACH.** Keep proper footing and balance at all times.
- **MAINTAIN TOOLS WITH CARE.** Keep tools sharp and clean for better and safer performance. Follow instructions for lubricating and changing accessories. Inspect tool cords periodically and if damaged, have repaired by authorized service facility. Inspect extension cords periodically and replace if damaged. Keep handles dry, clean, and free from oil and grease.

- **DISCONNECT OR LOCK OFF TOOLS** when not in use, before servicing, and when changing accessories, such as blades, bits, cutters.
- **REMOVE ADJUSTING KEYS AND WRENCHES.** Form habit of checking to see that keys and adjusting wrenches are removed from tool before turning it on.
- **AVOID UNINTENTIONAL STARTING.** Don't carry tool with finger on switch. Be sure switch is off when plugging in.
- **EXTENSION CORDS.** Make sure your extension cord is in good condition. When using an extension cord, be sure to use one heavy enough to carry the current your product will draw. An undersized cord will cause a drop in line voltage resulting in loss of power and overheating. The following table shows the correct size to use depending on cord length and nameplate ampere rating. If in doubt, use the next heavier gage. The smaller the gage number, the heavier the cord.

**Minimum Gage for Cord Sets**  
**Total Length of Cord in Feet**

Volts	0-25	26-50	51-100	101-150
120V				
240V	0-50	51-100	101-200	201-300

Ampere Rating	American Wire Gage			
More Than	Not more Than			
0 - 6	18	16	16	14
6 - 10	18	16	14	12
10 - 12	16	16	14	12
12 - 16	14	12	Not Recommended	

- **OUTDOOR USE EXTENSION CORDS.** When tool is used outdoors, use only extension cords intended for use outdoors and so marked.
- **STAY ALERT.** Watch what you are doing. Use common sense. Do not operate tool when you are tired.
- **CHECK DAMAGED PARTS.** Before further use of the tool, a guard or other part that is damaged should be carefully checked to determine that it will operate properly and perform its intended function. Check for alignment of moving parts, binding of moving parts, breakage of parts, mounting, and any other conditions that may affect its operation. A guard or other part that is

damaged should be properly repaired or replaced by an authorized service center unless otherwise indicated elsewhere in this instruction manual. Have defective switches replaced by authorized service center. Do not use tool if switch does not turn it on and off.

## **SAFETY RULES FOR CIRCULAR SAWS**

1. **DISCONNECT PLUG FROM POWER SUPPLY** before changing blades, making cutting depth or bevel adjustments, inspecting, cleaning or when saw is not being used.
2. **KEEP GUARDS IN PLACE AND IN WORKING ORDER.** Never wedge or tie lower guard open. Check operation of lower guard before each use. Do not use if lower guard does not close briskly and completely over saw blade.  
**CAUTION:** If saw is dropped, lower guard may be bent, restricting full return. Do not use saw until the lower guard is returned to the proper working order.
3. **KEEP BLADES CLEAN AND SHARP.** Sharp blades minimize stalling, overload, kickback, and give a cleaner cut.
4. **DANGER:** Keep hands away from cutting area. Keep hands away from blades. Do not reach underneath work while blade is rotating. Do not attempt to remove cut material when blade is moving.  
**CAUTION:** Blades continue to coast after trigger is released. Never place your hand on the work surface in front of or behind the saw.
5. **SUPPORT LARGE PANELS.** Large panels must be supported as shown in Figure 6 to minimize the risk of overload and kickback from blade pinching. When cutting operation requires the resting of the saw on the work piece, the saw should be rested on the larger portion and the smaller piece cut off.
6. **USE RIP FENCE.** Always use a fence or straight edge guide when ripping.
7. **GUARD AGAINST KICKBACK.** Kickback occurs when the saw begins to stall rapidly and is driven back towards the operator. Release the switch immediately if blade binds or saw stalls. Keep blades sharp. Don't force tool.

Stay alert. Exercise control. Don't remove saw from work during a cut while the blade is moving. A more detailed explanation of kickback follows in the "Operation" section of this manual.

8. **LOWER GUARD.** When necessary for accurate starts or when pocket cutting, raise lower guard with the retracting lever.
9. **ADJUSTMENTS.** Before cutting be sure depth and bevel adjustments are tight.
10. **USE ONLY CORRECT BLADES IN MOUNTING.** Do not use blades with incorrect size holes. Never use defective or incorrect blade washers or bolts.
11. **AVOID CUTTING NAILS.** Inspect for and remove all nails from lumber before cutting.
12. **CAUTION:** When sawing into walls, floors, or wherever "live" electrical wires may be encountered, **DO NOT TOUCH ANY METAL PARTS OF THE TOOL!** Hold the saw only by its plastic handles to prevent electric shock if you accidentally saw into a "live" wire.
13. **CAUTION:** Some wood contains preservatives such as copper chromium arsenate (CCA) which can be toxic. When cutting these materials extra care should be taken to avoid inhalation and minimize skin contact.

## **SAVE THESE INSTRUCTIONS FOR FUTURE USE**

### **Motor**

Your tool is powered by a B&D-built motor. Be sure your power supply agrees with nameplate marking. Volts 50/60 Hz means alternating current only. Volts DC-60 Hz means it will also operate on direct current. Lower voltage will cause loss of power and can result in overheating. All B&D tools are factory tested; if this tool does not operate, check the power supply.

# ADJUSTMENTS AND SET UP

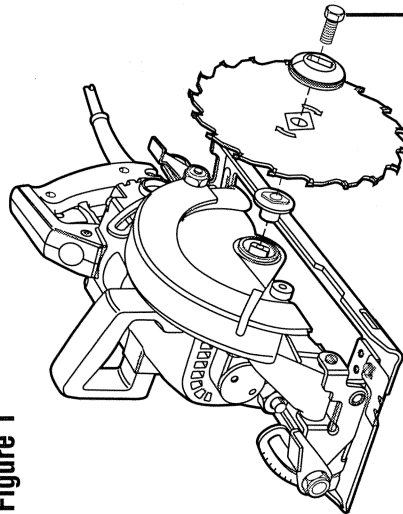
## Attaching and Removing Blades

### TURN OFF TOOL AND DISCONNECT FROM POWER SUPPLY.

To attach the blade:

1. Retract lower blade guard and place inner clamp washer and blade on saw spindle with printed side of blade out (teeth at bottom of blade pointing forward)(Figure 1).
2. Place outer clamp washer on saw spindle. The larger surfaces of both washers must face the blade.
3. Thread on blade clamping screw firmly by hand to hold both blade washers in position.
4. Depress lock pin and tighten blade screw (counterclockwise) with blade wrench.

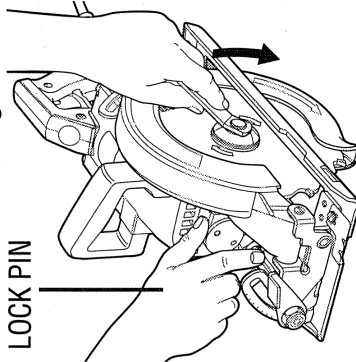
Figure 1



BLADE CLAMPING  
SCREW

DEPRESS  
LOCK PIN

Figure 2



TURN CLOCKWISE TO  
LOOSEN.

TURN COUNTERCLOCKWISE  
TO TIGHTEN.

## Changing Blades

### TURN OFF TOOL AND DISCONNECT FROM POWER SUPPLY.

1. Depress lock pin (Figure 2), which runs through the center of the oil filler plug, and turn blade until the lock pin locks firmly into the saw shaft.
2. With blade wrench, loosen and remove the blade bolt by turning it in a clockwise direction when facing blade (left hand thread – Figure 2).
3. Retract lower blade guard and remove blade.

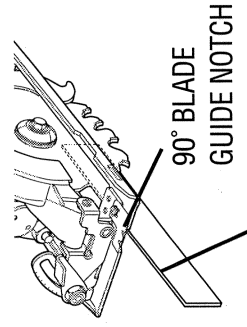
When mounting new blade, the teeth must point in the direction of the blade rotation. Replace and tighten the blade bolt as much as possible with the finger, then tighten firmly with the blade wrench. Your saw is equipped to accept blades with diamond arbor holes. An inner clamp washer with a round arbor may be purchased separately (Cat # 63243).

## Blade Guide Adjustments

### TURN OFF TOOL AND DISCONNECT FROM POWER SUPPLY.

Figure 3

1. With the saw bevel adjustment set on 90°, retract the blade guard and place a straight edge guard against the outside of the blade.
2. Hold the saw handles in normal operating position and align the 90° blade guide notch with the straight edge (Figure 3), then tighten the screw.
3. Take a scrap piece of wood and make a cut to see if the saw cuts where you want before doing any finish work.



90° BLADE  
GUIDE NOTCH

STRAIGHT EDGE

## CUTTING DEPTH ADJUSTMENT

### TURN OFF TOOL AND DISCONNECT FROM POWER SUPPLY.

1. Holding the saw firmly, raise depth adjustment locking lever at rear of saw (Figure 4) and move shoe to obtain the desired depth of cut.

2. Raise or lower shoe until blade extends desired distance below shoe.
3. Press depth adjustment locking lever down firmly, locking shoe in selected position.

For the most efficient cutting action, set the depth adjustment so that one tooth of the blade will project below the material to be cut. This distance is from the tip of the tooth to the bottom of the gullet in front of it. This keeps blade friction at a minimum, removes sawdust from the cut, results in cooler, faster sawing and reduces the chance of kickback.

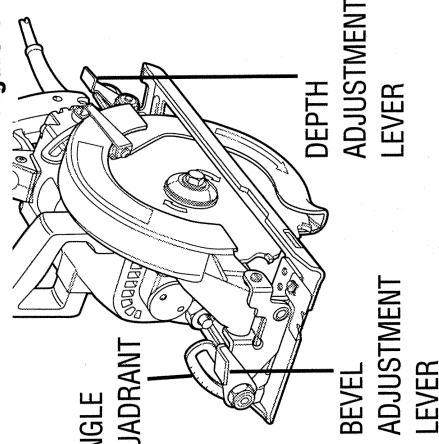
**NOTE:** When using carbide-tipped blades, make an exception to the above rule and allow only one-half of a tooth to project below the material to be cut.

### BEVEL ANGLE ADJUSTMENT TURN OFF TOOL AND DISCONNECT FROM POWER SUPPLY.

The full range of the bevel angle adjustment is from 0° to 45°. The quadrant is graduated in increments of 5°. On the front of the saw is a bevel angle adjustment mechanism (Figure 4) consisting of a calibrated quadrant and a lever. To set the saw for a bevel cut:

1. Lift bevel adjustment locking lever at front of shoe (Figure 4).
2. Swing shoe until pointer is in line with desired graduation mark on angle quadrant.
3. Press bevel adjustment locking lever down firmly to lock base in position.

Figure 4



## Switch

Pull the trigger switch to turn the motor ON. Releasing the trigger turns the motor OFF. This tool has no provision to lock the switch in the ON position, and should never be locked ON by any other means.

## Work Piece Support

Figure 5 shows proper sawing position. Note that hands are kept away from cutting area, and power cord is positioned clear of the cutting area so that it will not get caught or hung up on the work. To avoid kickback, DO support board or panel NEAR the cut (Figure 6). DON'T support board or panel away from the cut (Figure 7). When operating the saw, keep the cord away from the cutting area and prevent it from becoming hung up on the work piece.

**WARNING:** It is important to support the work properly and to hold the saw firmly to prevent loss of control which could cause personal injury. Figure 5 illustrates typical hand support of the saw.

## ALWAYS TURN OFF TOOL AND DISCONNECT BEFORE MAKING ANY ADJUSTMENTS!

Place the work with its "good" side – the one on which appearance is most important – down. The saw cuts upward, so any splintering will be on the work face that is up when you saw it.

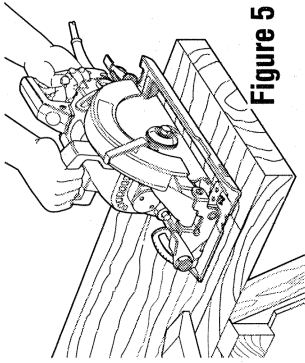
## Cutting

Support the work so that the cut will be on your left. Place the wider portion of the saw shoe on that part of the work piece which is solidly supported, not on the section that will fall off when the cut is made. As examples, Figure 5 illustrates the RIGHT way to cut off the end of a board, and Figure 8 the WRONG way. Always clamp work. Don't try to hold short pieces by hand! Remember

to support cantilevered and overhanging material. Use caution when sawing material from below. Be sure saw is up to full speed before blade contacts material to be cut. Starting saw with blade against material to be cut or pushed forward into kerf can result in kickback.

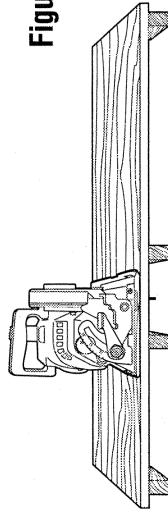
Push the saw forward at a speed which allows the blade to cut without laboring. Hardness and toughness can vary even in the same piece of material, and knotty or damp sections can put a heavy load on the saw. When this happens, push the saw more slowly, but hard enough to keep it working without much decrease in speed.

Should your cut begin to go off the line, don't try to force it back on. Release the switch and allow blade to come to a complete stop. Then you can withdraw the saw, sight anew, and start a new cut slightly inside the wrong one. In any event, withdraw the saw if you must shift the cut. Forcing a correction inside the cut can stall the saw and lead to kickback.



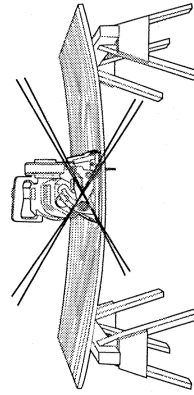
**Figure 5**

**SUPPORT WORK  
NEAR CUT**



**Figure 6**

**DON'T SUPPORT  
BOARD OR PANEL  
AWAY FROM THE CUT.**



**Figure 7**

**IF SAW STALLS, RELEASE THE TRIGGER AND BACK THE SAW UNTIL IT IS LOOSE. BE SURE BLADE IS STRAIGHT IN THE CUT AND CLEAR OF THE CUTTING EDGE BEFORE RESTARTING.**

As you finish a cut, release the trigger and allow the blade to stop before lifting the saw from the work. As you lift the saw, the spring-tensioned telescoping guard will automatically close under the blade. Remember the blade is exposed until this occurs, never reach under the work for any reason whatsoever. When you have to retract the telescoping guard manually (as is necessary for starting pocket cuts) always use the retracting lever.

**NOTE:** When cutting thin strips, be careful to ensure that small cutoff pieces don't hang up on inside of lower guard.

### **CROSS CUTTING**

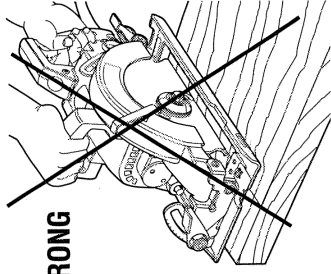
Saws are used mostly to cut board to desired lengths- crossgrain cutting. Guide the machine by gripping the top handle with the left hand and sighting along the line thru the blade guide as shown in Figure 9. Move the saw just fast enough to keep the blade cutting. Do not force it and do not twist it sideways. When the blade has completed the cut, release the trigger switch.

### **RIPPING**

Ripping is the process of cutting wide boards into narrower strips- cutting the grain lengthwise. Hand guiding is a little more difficult for this type of sawing and some type of guide should be used.

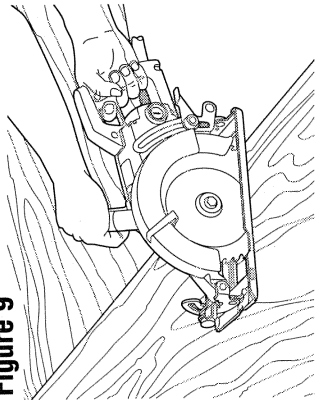
A **rip fence** (Figure 10) may be purchased separately for this purpose (Cat# 60551). Insert the rip fence in the slot at the front (either side) of the base and under the clamp screw bracket. Set for desired width of cut by first measuring width on material to be cut then adjusting the rip fence to that width. Before proceeding with the cut, be sure to tighten the clamp screw.

**Figure 8**

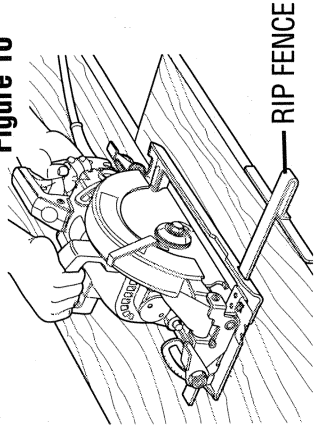


**WRONG**

**Figure 9**



**Figure 10**

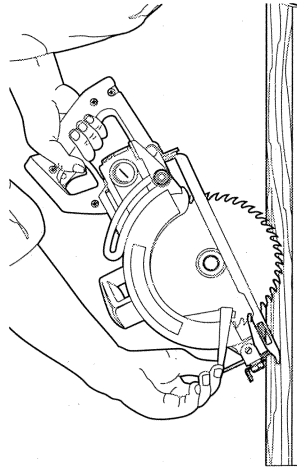


**POCKET CUTTING**

A pocket cut is one that is made in a floor, wall or other flat surface. Adjust saw shoe so blade cuts at desired depth. Tilt saw forward and rest front of the shoe on material to be cut. Using the retracting lever, retract blade guard to an upward position. Lower rear of shoe until blade teeth almost touch cutting line. Now release the blade guard (its contact with the work will keep it in position to open freely as you start the cut) Figure 11.

Start the motor and gradually lower the saw until its shoe rests flat on the material to be cut. Advance saw along the cutting line until cut is completed. Release trigger and allow blade to stop completely before withdrawing the blade from the material. When starting each new cut, repeat as above. Never tie the blade guard in a raised position.

**Figure 11**



**Kickback**

When the saw blade becomes pinched or twisted in the cut kickback can occur. The saw is thrust rapidly back toward the operator. When the blade is pinched or bound tightly by the kerf closing down, the blade stalls and the motor reaction drives the unit backward. When the blade becomes twisted or misaligned in the cut, the teeth at the back edge of the blade can dig into the top surface of the wood causing the blade to climb out of the kerf and jump back toward the operator. Kickback is more likely to occur when any of the following conditions exist.

**Improper work piece support**

Sagging or improper lifting of the cutoff piece causing pinching of the blade. Cutting through material supported at the outer ends only (Figure 6). As the material weakens it sags, closing down the kerf and pinching the blade.

Cutting of a cantilevered or overhanging piece of material from the bottom up in a vertical direction. The falling cut off piece can pinch the blade.

Cutting off long narrow strips (as in ripping). The cutoff strip can sag or twist closing the kerf and pinching the blade.

Snagging the lower guard on a surface below the material being cut momentarily reducing operator control. The saw can lift partially out of the cut increasing the chance of blade twist.

**Improper depth of cut setting on saw**

Using the saw with an excessive depth of cut setting increases loading on the unit and susceptibility to twisting of the blade in the kerf. It also increases the surface area of the blade available for pinching under conditions of kerf close down.

**Blade twisting (misalignment in cut)**

Pushing harder to cut through a knot, a nail, or hard grain area can cause blade to twist.



Trying to turn the saw in the cut (trying to get back on the marked line) can cause blade twist.

Extended reach or operating saw with poor body control (out of balance) can result in twisting the blade.

Changing grip or body position while cutting can result in blade twist.

Backing unit up to clear blade can lead to twist if not done carefully.

### **Materials that require extra attention**

Wet lumber, green lumber (material freshly cut or not kiln dried), pressure treated lumber (material treated with preservatives or anti-rot chemicals)

### **Use of dull or dirty blades**

Dull blades cause increased loading of the saw. To compensate, an operator will usually push harder which further loads the unit and promotes twisting of the blade in the kerf. Worn blades may also have insufficient body clearance which increases the chance of binding and increased loading.

### **Lifting the saw when making bevel cuts**

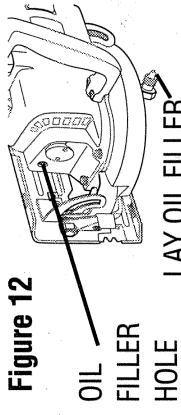
Bevel cuts require special operator attention to proper cutting techniques – especially guidance of the saw. Both blade angle to the shoe and greater blade surface in the material increase the chance for binding and misalignment (twist) to occur.

### **Restarting a cut with the blade teeth jammed against the material.**

The saw should be brought up to full operating speed before starting a cut or restarting a cut after the unit has been stopped with the blade in the kerf. Failure to do so can cause stalling and kickback.

Any other conditions which could result in pinching, binding, twisting, or misalignment of the blade could cause kickback. Refer to the sections on “Adjustments and Set-Up” and “Operation” for procedures and techniques that will minimize the occurrence of kickback.

**Figure 12**



**NOTE:** With a new saw, change the oil after the first 10 hours of use and once per year after that. This action will greatly extend the life of your unit.

1. Always check oil level before using the saw. To check the oil level, lay the saw down on the blade side, shown in Figure 12 and remove the oil filler plug.
2. Lay the plug on its side under the top edge of the blade guard as shown. This procedure ensures that the saw is level so that the oil can be checked accurately. If the saw is adequately lubricated, oil will be visible at lower edge of the oil filler hole within 25 seconds. If oil does not appear in this time, the saw requires lubrication.
3. To lubricate the saw, stand it on its handle end. Add lubricant to the oil filler hole, checking frequently as described above to determine when the proper level is reached. If you accidentally overfill the saw, lay it on its side and permit the excess to leak out until the proper level is obtained. **DO NOT OVERFILL SAW!** Pressure generated by the gears in an overfilled saw will force lubricant through the seals causing eventual gear failure and possible motor damage.

## **Brushes**

### **TURN OFF TOOL AND DISCONNECT FROM POWER SUPPLY.**

Inspect carbon brushes regularly by unplugging tool, removing the brush inspection cap and withdrawing the brush assembly. Keep brushes clean and sliding freely in their guides. Always replace a used brush in the same orientation in the holder as it was prior to removal. Carbon brushes have varying symbols stamped into their sides, and if the brush is worn down to the line closest to the spring, they must be replaced. New brush assemblies

are available at B&D service centers. The tool should be allowed to "run in" (run at no load without a blade) for 10 minutes before use to seat new brushes. While "running in" DO NOT TIE, TAPE, OR OTHERWISE LOCK THE TRIGGER SWITCH ON. HOLD SWITCH BY HAND ONLY.

## Blades

A dull blade will cause slow, inefficient cutting overload on the saw motor, excessive splintering, and could increase the possibility of kickback. It is a good practice to keep extra blades on hand so that sharp blades are available while the dull ones are being sharpened. (See "Saws-Sharpening" in the yellow pages.) In fact, many lower priced blades can be replaced with new ones at very little cost over the sharpening price. Hardened gum on the blade will slow down the cutting. This gum can best be removed with kerosene, turpentine, or oven cleaner. B&D manufactures a complete line of saw blades and the following types of blades are available from your dealer.

**Combination Blade-** For general-purpose ripping and cutting.

**Chisel Tooth Combination-** Specially designed for general-purpose ripping and crosscutting.

**Framing/Rip Combination-** For facing, roofing, siding, sub-flooring, framing, form cutting.

**Cross Cut Blade-** For smoother, faster cross cutting.

**Ripping Blade-** Fast for rip cuts.

**Plywood Blade-** For smooth cuts in plywood. Reduce splintering.

**Planer Blade-** For very smooth ripping and cross cutting.

**Flooring Blade-** For sawing where nails may be occasionally encountered.

**Metal Cutting Blade-** For cutting aluminum, copper and other soft metals.

**Friction Blade-** For cutting corrugated, galvanized sheets.

**Carbide Tipped Blade-** For longest sawing without blade sharpening. Cuts wood, transite, cemento board, asbestos, formica, masonite, and similar materials.

## ACCESSORIES

Recommended accessories for use with your tool are available at extra cost from your distributor or your local service center. A complete listing of service centers is included with your tool.

**Kit Box:** 7-1/4", and 8-1/4" saws- (Cat # 62864)

**Lubricant:** This special lubricant has been developed to add longer life to worm drive saw gears. See lubrication instructions. (6 oz tube- Cat# 60086)

**Rip Fence -** (Cat# 60551)

**Inner Clamp Washer** is used on all worm drive saws when using metal or abrasive blades with round arbor holes. (Cat# 63243)

**Inner Clamp Washer** is used on all worm drive saws when using metal or abrasive blades with diamond arbor holes. (Cat# 143783)

**Outer Clamp Washer** is used on all worm drive saws on the outer side off all metal or abrasive blades. (Cat# 70457-00)

**WATER FEED ATTACHMENTS ARE NOT RECOMMENDED FOR WORM DRIVE SAWS.**

**CAUTION:** The use of any non-recommended accessory may be hazardous. If you need any assistance in locating any accessory, call 1-800-9-BD TOOL (1-800-923-8665) or contact Black & Decker, Consumer Services Department, 626 Hanover Pike, P.O. Box 618, Hampstead, MD 21074.

## IMPORTANT!

To assure product SAFETY and RELIABILITY, particularly for double insulated tools, repairs, maintenance and adjustment (excluding maintenance described in this manual) should be performed by B&D service centers or authorized service centers, using identical B&D replacement parts.

Every B&D tool is of the highest quality.  
If you wish to contact us regarding this product, please call toll  
free between 8:00am and 8:00pm ET, seven days a week:

**1-800-9-BD TOOL**  
(1-800-923-8665)

### **One Year Free Maintenance**

All B&D tools for Industry and Construction are covered under a one year free maintenance program where B&D will inspect your tool for safety and provide necessary maintenance or repairs, including normal wear and tear parts, for one year, FREE OF CHARGE.

### **Full Warranty**

All B&D tools for Industry and Construction are warranted to be free of any defects in materials or workmanship. Upon thorough examination of tool, B&D will repair or replace, at our option, any product that is determined to be defective.

### **Conditions**

The service/safety check and the warranty do not apply to: repairs made or attempted by anyone other than an authorized B&D service location; misuse, abuse, neglect, improper application of the tool; missing parts; or normal wear and tear (after first year of ownership). Please return the complete unit, transportation prepaid, to any B&D factory owned or B&D authorized service center location (list provided with tool or see yellow pages under "Tools Electric").

## YOUR POWER TOOLS MAY BE SERVICED AT THE FOLLOWING B&D SERVICE CENTERS.

<b>ALABAMA:</b> Birmingham 35209, 2412 Green Springs Hwy. . . . . 205-942-0538 Mobile 36608, 3631 Airport Blvd. . . . . 205-343-6624	<b>IOWA:</b> Des Moines 50310, 3427 Merle Hay Rd. . . . . 515-270-1340	<b>OHIO (CONT'D):</b> Parma Heights (Cleveland) 44130, 6483 Pearl Road. . . . . 216-842-9100 Toledo 43607, 3231 Dorr St. . . . . 419-531-8921	<b>OKLAHOMA:</b> Oklahoma City 73106, 1318 Linwood Blvd. . . . . 405-232-7515 Tulsa 74145, 3120 S. Sheridan Rd. . . . . 918-622-5666
<b>ALASKA:</b> Anchorage 99518, 910 West International Airport Rd. . . . . 907-563-4664	<b>KANSAS:</b> Wichita 67213, 155 S. West St. . . . . 316-943-1271	<b>OKLAHOMA:</b> Oklahoma City 73106, 1318 Linwood Blvd. . . . . 405-232-7515 Tulsa 74145, 3120 S. Sheridan Rd. . . . . 918-622-5666	<b>OREGON:</b> Portland 97209, 1640 N.W. Johnson St. . . . . 503-228-8631
<b>ARIZONA:</b> Mesa 85202, 535 S. Dobson, Suite 7. . . . . 602-461-1074 Phoenix 85013, 4501 N. 7th Avenue . . . . . 602-279-6414 Tucson 85712, 4845 E. Speedway Blvd. . . . . 602-323-3388	<b>KENTUCKY:</b> Louisville 40213, 5211 Preston Hwy. . . . . 502-968-7100	<b>OKLAHOMA:</b> Oklahoma City 73106, 1318 Linwood Blvd. . . . . 405-232-7515 Tulsa 74145, 3120 S. Sheridan Rd. . . . . 918-622-5666	<b>PENNSYLVANIA:</b> Evanston City 16033, 20808 Rt. 19 North. . . . . 412-779-9600 Harrisburg 17112, 6080 Allentown Blvd. . . . . 717-545-0651 Lancaster 17601, 118 Keller Ave. . . . . 717-933-5251 Philadelphia 19103, 333 N. 20th St. . . . . 215-564-5520 Philadelphia (North) 19115, 9977-81 Bustleton Ave. . . . . 215-464-7771 Pittsburgh 15232, 5437 Baum Blvd. . . . . 412-362-2700 Whitehall (Allentown) 18052, 2242 MacArthur Rd. . . . . 610-435-9544 Wilkes-Barre 18702, 759 Kiddler Street . . . . . 717-824-5704
<b>CALIFORNIA:</b> Anaheim 92806, 540 South State College Blvd. . . . . 714-772-4050 Chula Vista 91910, 309 Broadway. . . . . 619-420-6350 Concord 94520, 1500 Monument Blvd., #C2 . . . . . 510-682-4880 Fresno 93710, 5412 North Blackstone Ave. . . . . 209-435-0810 Long Beach 90805, 2011 South St. . . . . 310-422-5825 Los Angeles 90040, 4820 South Eastern Ave., Suite "L". . . . . 213-720-1834 Riverside 92506, 6215 Magnolia Ave., Suite "B". . . . . 909-787-9700 Sacramento 95825, 2033 Fulton Ave. . . . . 916-972-9090 San Diego 92123, 9270 Clairemont Mesa Blvd. . . . . 619-279-2011 San Jose 95128, 1185 So. Bascom Ave. . . . . 408-293-7350 San Leandro 94578, 15206 E. 14th St. . . . . 510-276-1610 Van Nuys 91411, 14920 Victory Blvd. . . . . 818-787-5531	<b>LOUISIANA:</b> Baton Rouge 70815, 11859 Florida Blvd. . . . . 504-272-8111 Harvey 70058, 2500 Lapalco Blvd. . . . . 504-366-8676 Metairie (New Orleans) 70002, 3504 N. Causeway Blvd. . . . . 504-837-2550 Shreveport 71108, 7710-7714 Jewella Rd. . . . . 318-688-1553	<b>OKLAHOMA:</b> Oklahoma City 73106, 1318 Linwood Blvd. . . . . 405-232-7515 Tulsa 74145, 3120 S. Sheridan Rd. . . . . 918-622-5666	<b>PUERTO RICO:</b> Puerto Nuevo . . . . . 809-783-3535
<b>COLORADO:</b> Denver 80219, 1171 S. Federal Blvd. . . . . 303-922-8325	<b>MARYLAND:</b> Baltimore (East) 21205, 4712 Erdman Ave. . . . . 410-485-5550 Baltimore (North) 21030, 29-31 Cranbrook Rd., Cockeysville . . . . . 410-666-5966 Baltimore (South) 21122, 8220 Ritchie Hwy., Pasadena . . . . . 410-647-8456 Colmar Manor 20722, 4153 Bladensburg Rd. . . . . 301-779-3808	<b>OKLAHOMA:</b> Oklahoma City 73106, 1318 Linwood Blvd. . . . . 405-232-7515 Tulsa 74145, 3120 S. Sheridan Rd. . . . . 918-622-5666	<b>RHODE ISLAND:</b> See Seekonk, MA
<b>CONNECTICUT:</b> Orange 06477, 481 Boston Post Rd. . . . . 203-795-3583 Wethersfield (Hartford) 06109, 662 Silas Dean Hwy. . . . . 203-563-5800	<b>MASSACHUSETTS:</b> Brighton (Boston) 02135, 12 Market St. . . . . 617-782-6284 Seekonk 02771, 120 Highland Ave. . . . . 508-336-6510	<b>OKLAHOMA:</b> Oklahoma City 73106, 1318 Linwood Blvd. . . . . 405-232-7515 Tulsa 74145, 3120 S. Sheridan Rd. . . . . 918-622-5666	<b>SOUTH CAROLINA:</b> Greenville 29607, 1557 Laurens Rd. . . . . 803-232-3038
<b>DISTRICT OF COLUMBIA:</b> Washington Colmar Manor 20722, 4153 Bladensburg Rd. . . . . 301-779-3808 Falls Church, VA 22046, 344 W. Broad St. . . . . 703-533-7313	<b>MICHIGAN:</b> Grand Rapids 49512, 3040 28th St., S.E. . . . . 616-949-8331 Lansing 48917, 3203 W. Saginaw Hwy . . . . . 517-323-4181 Warren 48093, 27035 Van Dyke Blvd. . . . . 313-756-6711 Westland (Detroit) 48185, 8067 North Wayne Rd. . . . . 313-427-1520	<b>OKLAHOMA:</b> Oklahoma City 73106, 1318 Linwood Blvd. . . . . 405-232-7515 Tulsa 74145, 3120 S. Sheridan Rd. . . . . 918-622-5666	<b>TENNESSEE:</b> Chattanooga 37421, 6231 Perimeter Drive, Space E. . . . . 615-894-5957 Knoxville 37917, 4118 N. Broadway. . . . . 615-688-0921 Memphis 38116, 1085 East Brooks Rd. . . . . 901-332-3444 Nashville 37211, 4811 Nolensville Rd. . . . . 615-893-8277
<b>FLORIDA:</b> Ft. Lauderdale 33394, 799 E. Oakland Pk. Blvd. . . . . 305-566-5102 Ft. Myers 33907, 5224 Bank Street . . . . . 813-278-1188 Jacksonville 32205, 920 Cassat Ave. . . . . 904-781-2253 Miami (North) 33168, 13345 N.W. Seventh Ave. . . . . 305-681-6658 Miami (South) 33156, 12233 So. Dixie Hwy. . . . . 305-232-9497 Orlando 32803, 3807 E. Colonial Dr. . . . . 407-894-7011 St. Petersburg 33709, 5635 49th St., N. . . . . 813-525-0273 Tampa 33609, 3432 W. Kennedy Blvd. . . . . 813-872-6317 West Palm Beach 33415, 310 South Military Trail . . . . . 407-889-3247	<b>MINNESOTA:</b> Bloomington (Minneapolis-St. Paul) 55420, 9517 Lyndale Ave., S. . . . . 612-884-9191	<b>OKLAHOMA:</b> Oklahoma City 73106, 1318 Linwood Blvd. . . . . 405-232-7515 Tulsa 74145, 3120 S. Sheridan Rd. . . . . 918-622-5666	<b>TEXAS:</b> Amarillo 79106, 3008 West 6th Ave. . . . . 806-373-1531 Austin 78757, 6549 Burnet Rd. . . . . 512-459-1133 Dallas 75229, 2257 Royal Ln. . . . . 214-620-6655 El Paso 79915, 6822 Gateway East . . . . . 915-778-9769 Fort Worth 76111, 721 North Beach St. . . . . 817-831-3828 Garland 75043, 718 W. Centerville Rd. . . . . 214-686-9302 Houston 77022, 536 E. Tidwell Rd. . . . . 713-692-7111 Houston (S.W.) 77025, 9319 Stella Link Blvd. . . . . 713-664-3666 San Antonio 78201, 500 Culebra Ave. . . . . 210-732-1221 Webster 77598, 100 East Nasa Rd. One . . . . . 713-338-4556
<b>GEORGIA:</b> Atlanta (South) 30349, 5330 Old National Hwy. . . . . 404-762-8844 Smyrna 30080, 2550 Cobb Pkwy. . . . . 404-956-0869 Stone Mountain (Atlanta) 30086, 5723 Memorial Dr. . . . . 404-292-4714	<b>MISSOURI:</b> Kansas City 64111, 4324 Main St. . . . . 816-531-0629 St. Ann (North St. Louis) 63074, 3637 North Lindbergh Blvd. . . . . 314-739-4661 St. Louis 63131, 12852 Manchester Rd. . . . . 314-821-8740	<b>OKLAHOMA:</b> Oklahoma City 73106, 1318 Linwood Blvd. . . . . 405-232-7515 Tulsa 74145, 3120 S. Sheridan Rd. . . . . 918-622-5666	<b>UTAH:</b> Salt Lake City 84115, 1541 S. Third West St. . . . . 801-486-5828
<b>HAWAII:</b> Honolulu 96819, 330 Sand Island Access Road . . . . . 808-847-7447	<b>NEBRASKA:</b> Omaha 68127, 4225 S. 84th St. . . . . 402-592-5666	<b>OKLAHOMA:</b> Oklahoma City 73106, 1318 Linwood Blvd. . . . . 405-232-7515 Tulsa 74145, 3120 S. Sheridan Rd. . . . . 918-622-5666	<b>VIRGINIA:</b> Falls Church 22046, 344 W. Broad St. . . . . 703-533-7313 Hampton 23666, 3416 W. Mercury Blvd. . . . . 804-826-9382 Norfolk 23513, 7631 Sewalls Point Rd. . . . . 804-480-3333 Richmond 23222, 1424 Chamberlayne Ave. . . . . 804-649-9245
<b>ILLINOIS:</b> Des Plaines (Chicago) 60018, 1277 South Elmhurst Rd. . . . . 708-364-5220 Lincolnwood (Chicago) 60046, 6710 N. Crawford Ave. . . . . 708-673-0923 Lisle (West Chicago) 60532, 2950 Ogden Ave., Unit H . . . . . 708-717-1075 Moline 61265, 4433 23rd Ave. . . . . 309-762-3000 Oak Lawn (Chicago) 60453, 6343 W. 95th St. . . . . 708-423-7212 Waukegan 60085, 39 S. Greenbay Rd. . . . . 708-249-4390	<b>NEVADA:</b> Las Vegas 89104, 3411 East Charleston Blvd. . . . . 702-641-6555	<b>OKLAHOMA:</b> Oklahoma City 73106, 1318 Linwood Blvd. . . . . 405-232-7515 Tulsa 74145, 3120 S. Sheridan Rd. . . . . 918-622-5666	<b>WASHINGTON:</b> Seattle 98108, 421 S. Michigan St. . . . . 206-763-2010 Spokane 99208, N. 7011 Division St. . . . . 509-467-8190 Tacoma 98409, 2602 S. 38th St. . . . . 206-473-6040
<b>INDIANA:</b> Evansville 47710, 307 First Ave., Crescent Ctr. . . . . 812-425-4269 Hammond 46323, 7103 Kennedy Ave. . . . . 219-845-5100 Indianapolis 46224, 5999 Crawfordsville Rd. . . . . 317-243-8308	<b>NEW JERSEY:</b> Cherry Hill 08034, 1444 E. Marlton Pike/Rte. 70 . . . . . 609-429-2822 Little Falls 07424, 1189 U.S. Highway 46. . . . . 201-256-9373 Union (Scotch Plains) 07076, 2520 Route #22 East . . . . . 908-233-5665	<b>OKLAHOMA:</b> Oklahoma City 73106, 1318 Linwood Blvd. . . . . 405-232-7515 Tulsa 74145, 3120 S. Sheridan Rd. . . . . 918-622-5666	<b>WEST VIRGINIA:</b> Charleston 25312, 1638 Sixth Ave. . . . . 304-343-0289
<b>NEW YORK:</b> Buffalo 14209, 881 W. Delavan Ave. . . . . 716-884-6220 Centereach L.I. 11720, 2061-63 Middle Country Rd. . . . . 516-737-4706 Elmhurst (New York) 11373, 77-20 Queens Blvd. . . . . 718-335-1042 Latham (Albany) 12110, 836 Troy-Schenectady Rd. . . . . 518-785-1867 Rochester 14623, 2969 W. Henrietta Rd. . . . . 716-424-1310 Syracuse 13214, 3485 Erie Blvd., East . . . . . 315-446-3086 Westbury L.I. (New York) 11590, 1061 Old Country Rd. . . . . 516-997-6140	<b>NEW MEXICO:</b> Albuquerque 87110, 5617 Menaul Blvd., N.E. . . . . 505-884-1002	<b>OKLAHOMA:</b> Oklahoma City 73106, 1318 Linwood Blvd. . . . . 405-232-7515 Tulsa 74145, 3120 S. Sheridan Rd. . . . . 918-622-5666	<b>WISCONSIN:</b> Milwaukee (Wauwatosa) 53226, 10424 West Bluemound Rd. . . . . 414-453-4240

**ALBERTA**  
Edmonton T6E 6H6, 3845 99th St. . . . . 403-462-5005

**BRITISH COLUMBIA**  
Vancouver V5M 3Y7, 1735 Boundary Rd. . . . . 604-291-9942

**MANITOBA**  
Winnipeg R3H OK3, 934 St. James St. . . . . 204-783-7294

**NOVA SCOTIA**  
Halifax B3K 2A4, 6100 Young Street. . . . . 902-453-5090

**ONTARIO**  
Brockville K6V 5W6, 100 Central Ave. . . . . 613-342-6641  
Kanata K2L 1V3, 462 Hazeldean Rd #11 . . . . . 613-831-2332  
Glencairn Plaza  
London N6E 3A9, 981 Wellington Rd #6. . . . . 519-649-2407  
Markham L3P 3J3, 9275 Hwy 48 Unit 12/13 . . . . . 905-472-6168  
Mississauga L4X 1L3, 1480 Dundas St. E #7. . . . . 905-277- 0011  
North York M3J 3G5, 48 Kodiak Cres . . . . . 416-635-6740

**QUEBEC**  
Brossard J4W 1M6, 5840 Boul Taschereau . . . . . 514-462-4881  
Montreal H1Y 1B4, 3061 Belanger . . . . . 514-722-1021

**FOR ADDITIONAL SERVICE LOCATIONS  
CALL: 1-800-9- BD TOOL**





---

**Black & Decker (U.S.) Inc. • 701 East Joppa Road, Towson, Maryland 21286**

**Printed in U.S.A. (JUNE95-CD-2) Form No. 159183-01 Copyright © 1994, 1995**