



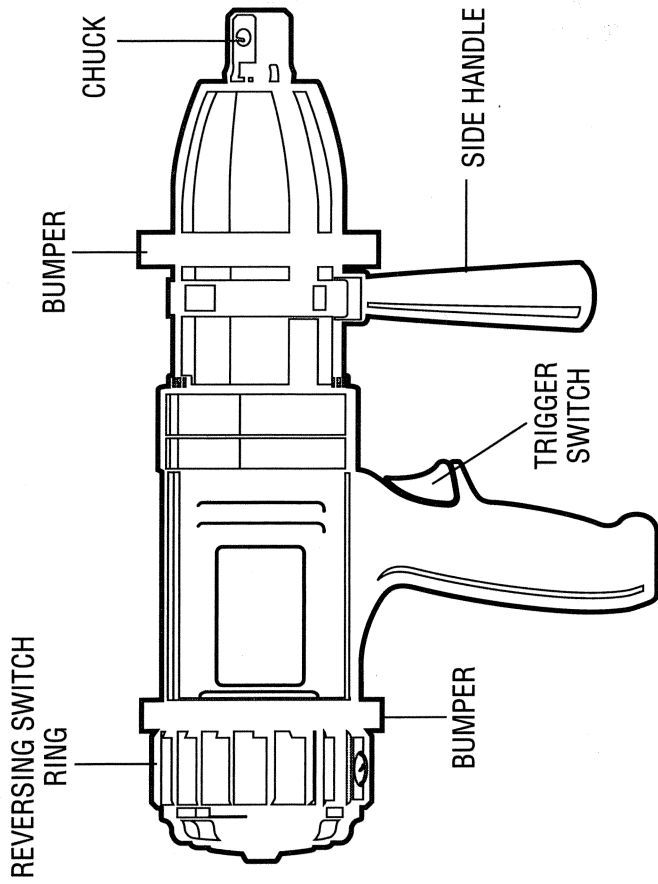
# **Instruction Manual**

## **2225 Impact Wrench**

## Getting the most out of your tool.

Please take time to read this manual and pay particular attention to the safety rules we've provided for your protection. If you have any questions about your tool please call:

**1-800-9-BD TOOL**  
**(1-800-923-8665)**



**2225 - 3/4" (19mm) Impact Wrench**

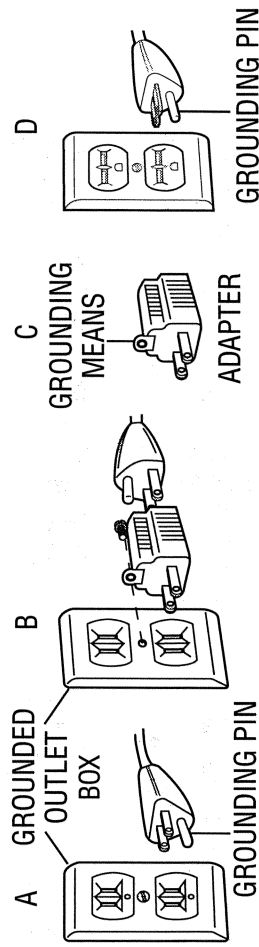
# IMPORTANT SAFETY INSTRUCTIONS

**WARNING:** When using electric tools, basic safety precautions should always be followed to reduce risk of fire, electric shock, and personal injury, including the following:

## READ ALL INSTRUCTIONS

### Grounding Instructions

This tool should be grounded while in use to protect the operator from electric shock. The tool is equipped with a 3-conductor cord and 3-prong grounding type plug to fit the proper grounding type receptacle. The green (or green and yellow) conductor in the cord is the grounding wire. Never connect the green (or green and yellow) wire to a live terminal. If your unit is intended for use on less than 150 V, it has a plug that looks like that shown in sketch A. If it is for use on 150 to 250 V, it has a plug that looks like that shown in sketch D. An adapter, sketches B and C, is available for connecting sketch A type plugs to 2-prong receptacles. The green-colored rigid ear, lug, or the like, extending from the adapter must be connected to a permanent ground, such as a properly grounded outlet box. No adapter is available for a plug as shown in sketch D. ADAPTER SHOWN IN FIGURES B and C IS NOT FOR USE IN CANADA. Use only 3-wire extension cords that have 3-prong grounding-type plugs and 3-pole receptacles that accept the tool's plug. Replace or repair damaged cords.



## Safety Instructions For All Tools

- **KEEP WORK AREA CLEAN.** Cluttered areas and benches invite injuries.
- **CONSIDER WORK AREA ENVIRONMENT.** Don't expose power tools to rain. Don't use power tools in damp or wet locations. Keep work area well lit. Do not use tool in presence of flammable liquids or gases.
- **GUARD AGAINST ELECTRIC SHOCK.** Prevent body contact with grounded surfaces. For example; pipes, radiators, ranges, and refrigerator enclosures.
- **KEEP CHILDREN AWAY.** Do not let visitors contact tool or extension cord. All visitors should be kept away from work area.
- **STORE IDLE TOOLS.** When not in use, tools should be stored in dry, and high or locked-up place — out of reach of children.
- **DON'T FORCE TOOL.** It will do the job better and safer at the rate for which it was intended.
- **USE RIGHT TOOL.** Don't force small tool or attachment to do the job of a heavy-duty tool. Don't use tool for purpose not intended.
- **DRESS PROPERLY.** Do not wear loose clothing or jewelry. They can be caught in moving parts. Rubber gloves and non-skid footwear are recommended when working outdoors. Wear protective hair covering to contain long hair.
- **USE SAFETY GLASSES.** Also use face or dust mask if operation is dusty.
- **DON'T ABUSE CORD.** Never carry tool by cord or yank it to disconnect from receptacle. Keep cord from heat, oil, and sharp edges.
- **SECURE WORK.** Use clamps or a vise to hold work. It's safer than using your hand and it frees both hands to operate tool.
- **DON'T OVERREACH.** Keep proper footing and balance at all times.
- **MAINTAIN TOOLS WITH CARE.** Keep tools sharp and clean for better and safer performance. Follow instructions for lubricating and changing accessories. Inspect tool cords periodically and if damaged, have repaired by authorized service facility. Inspect extension cords periodically and replace if damaged. Keep handles dry, clean, and free from oil and grease.
- **DISCONNECT OR LOCK OFF TOOLS** when not in use, before servicing, and when changing accessories, such as blades, bits, cutters.
- **REMOVE ADJUSTING KEYS AND WRENCHES.** Form habit of checking to see that keys and adjusting wrenches are removed from tool before turning it on.

- **AVOID UNINTENTIONAL STARTING.** Don't carry tool with finger on switch. Be sure switch is off when plugging in.

- **EXTENSION CORDS.** Make sure your extension cord is in good condition. When using an extension cord, be sure to use one heavy enough to carry the current your product will draw. An undersized cord will cause a drop in line voltage resulting in loss of power and overheating. The following table shows the correct size to use depending on cord length and nameplate ampere rating. If in doubt, use the next heavier gage. The smaller the gage number, the heavier the cord.

### Minimum Gage for Cord Sets

Volts	Total Length of Cord in Feet	AWG
120V	0-25	51-100
240V	0-50	101-200
		201-300
Ampere Rating		
More Than		
0	6	18
6	10	16
10	12	16
12	16	14
		Not Recommended

- **OUTDOOR USE EXTENSION CORDS.** When tool is used outdoors, use only extension cords intended for use outdoors and so marked.
- **STAY ALERT.** Watch what you are doing. Use common sense. Do not operate tool when you are tired.
- **CHECK DAMAGED PARTS.** Before further use of the tool, a guard or other part that is damaged should be carefully checked to determine that it will operate properly and perform its intended function. Check for alignment of moving parts, binding of moving parts, breakage of parts, mounting, and any other conditions that may affect its operation. A guard or other part that is damaged should be properly repaired or replaced by an authorized service center unless otherwise indicated elsewhere in this instruction manual. Have defective switches replaced by authorized service center. Do not use tool if switch does not turn it on and off.

## SAVE THESE INSTRUCTIONS

# TOOL OPERATION

## Motor

Be sure your power supply agrees with nameplate marking. Voltage decrease of more than 10% will cause loss of power and overheating. All tools are factory tested; if this tool does not operate, check the power supply.

## Switch

Depress the trigger switch to turn the tool on. Release the trigger to turn the tool off. The reversing switch ring (Figure 1) is used to change the direction of rotation. To set in **forward position**, rotate the switch ring counterclockwise (as viewed by the operator) until raised mark on one of the ribs of the ring is opposite the "Forward" mark on the nameplate. For **reverse position**, rotate switch ring clockwise (as viewed by the operator) until raised mark on rib is opposite the "Reverse" mark on nameplate.

**CAUTION:** Always be sure motor is completely stopped before using reversing switch.

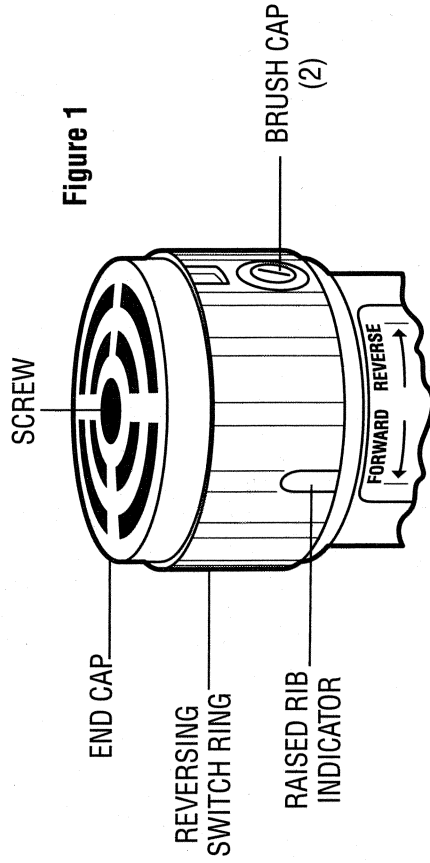


Figure 1

## Chuck

To insert shank of desired accessory into chuck:

1. Slide collar of chuck forward.
2. Insert the hexagonal shank of the accessory into chuck. Be sure that shank bottoms in the chuck. If shank will not bottom, check for burrs or foreign matter on shank or in chuck.
3. Release collar of chuck. Collar should snap back, locking accessory in place.
4. Check locking action by tugging sharply on accessory to determine if it is held firmly in the chuck.

## Lubrication

B&D impact wrenches are lubricated at the factory and are ready for use when received. The ball-bearings used are closed, grease-sealed type with sufficient lubricant packed in them to last the life of the bearing. For continuous work, impact wrenches must be lubricated after every 30 hours of operation. For intermittent work, lubricate every 50 hours.

Lubrication should only be performed by authorized B&D service centers.

**NOTE:** The quick-change chuck mechanism should be kept clean of chips and dirt (blow out occasionally). The sliding surfaces of the chuck collar should be lightly oiled periodically with a good grade of penetrating or lubricating oil.

## Important

To assure product SAFETY and RELIABILITY, repairs, maintenance and adjustment (including brush inspection and replacement) should be performed by authorized service centers or other qualified service organizations, always using identical replacement parts.

## Accessories

Recommended accessories for use with your tool are available at extra cost from your distributor or local service center.

**CAUTION:** Use only **impact sockets** which are designed for use with impact wrenches. The use of any non-recommended accessory may be hazardous.

If you need any assistance in locating any accessory call 1-800-9-BD TOOL: (1-800-923-8665) or contact Black & Decker (U.S.) Inc., Consumer Services Department, 626 Hanover Pike, P.O. Box 618, Hampstead, MD 21074.

Every B&D tool is of the highest quality.

If you wish to contact us regarding this product, please call toll free between 8:00am and 8:00pm ET, seven days a week:

**1-800-9-BD TOOL**  
(1-800-923-8665)

## One Year Free Maintenance

All B&D tools for Industry and Construction are covered under a one year free maintenance program where B&D will inspect your tool for safety and provide necessary maintenance or repairs, including normal wear and tear parts, for one year, FREE OF CHARGE.

## Full Warranty

All B&D tools for Industry and Construction are warranted to be free of any defects in materials or workmanship. Upon thorough examination of tool, B&D will repair or replace, at our option, any product that is determined to be defective.

## Conditions

The service/safety check and the warranty do not apply to: repairs made or attempted by anyone other than an authorized B&D service location; misuse, abuse, neglect, improper application of the tool; missing parts; or normal wear and tear (after first year of ownership). Please return the complete unit, transportation prepaid, to any B&D factory owned or B&D authorized service center location (list provided with tool or see yellow pages under "Tools Electric").

## YOUR POWER TOOLS MAY BE SERVICED AT THE FOLLOWING B&D SERVICE CENTERS.

<b>ALABAMA:</b>	Birmingham 35209, 2412 Green Springs Hwy. ....	205-942-0538	<b>OHIO (CONT'D)</b>	Parma Heights (Cleveland) 44130, 6483 Pearl Road. ....	216-842-9100
	Mobile 36608, 3831 Airport Blvd. ....	205-343-6624		Toledo 43607, 3231 Dorr St. ....	419-531-8921
<b>ALASKA:</b>	Anchorage 99518, 910 West International Airport Rd. ....	907-563-4664	<b>OKLAHOMA:</b>	Oklahoma City 73106, 1318 Linwood Blvd. ....	405-232-7515
<b>ARIZONA:</b>	Mesa 85202, 535 S. Dobson, Suite 7. ....	602-461-1074		Tulsa 74145, 3120 S. Sheridan Rd. ....	918-622-5666
	Phoenix 85013, 4501 N. 7th Avenue. ....	602-279-6414	<b>OREGON:</b>	Portland 97209, 1640 N.W. Johnson St. ....	503-228-6631
	Tucson 85712, 4845 E. Speedway Blvd. ....	602-323-3388	<b>PENNSYLVANIA:</b>	Evans City 16033, 20808 Rt. 19 North. ....	412-779-9600
<b>ARKANSAS:</b>	Little Rock 72201, 519 W. Seventh St. ....	501-372-3040		Harrisburg 17112, 6080 Allentown Blvd. ....	717-545-0651
<b>CALIFORNIA:</b>	Anaheim 92806, 540 South State College Blvd. ....	714-772-4050		Lancaster 17601, 118 Keller Ave. ....	717-893-5251
	Chula Vista 91910, 309 Broadway. ....	619-420-6350		Philadelphia 19103, 333 N. 20th St. ....	215-564-5520
	Concord 94520, 1500 Monument Blvd., #C2. ....	510-682-4880		Philadelphia (North) 19115, 9977-81 Bustleton Ave. ....	215-464-7771
	Fresno 93710, 5412 North Blackstone Ave. ....	209-435-0810		Pittsburgh 15232, 5437 Baum Blvd. ....	412-362-2700
	Long Beach 90805, 2011 South St. ....	310-422-5825		Whitehall (Allentown) 18052, 2242 MacArthur Rd. ....	610-435-9544
	Los Angeles 90040, 4820 South Eastern Ave., Suite "L". ....	213-720-1834	<b>PUERTO RICO:</b>	Wilkes-Barre 18702, 759 Kiddler Street. ....	717-824-5704
	Riverside 92506, 6215 Magnolia Ave., Suite "B". ....	909-787-9700		Puerto Nuevo. ....	809-783-3535
	Sacramento 95825, 2033 Fulton Ave. ....	916-972-9090	<b>RHODE ISLAND:</b>	Seekonk 02771, 120 Highland Ave. ....	508-336-6510
	San Diego 92123, 9270 Clairemont Mesa Blvd. ....	619-279-2011		Grand Rapids 49512, 3040 28th St., S.E. ....	616-949-8331
	San Jose 95128, 1185 So. Bascom Ave. ....	408-293-7350		Lansing 48917, 3203 W. Seginaw Hwy. ....	517-323-4181
	San Leandro 94578, 15206 E. 14th St. ....	510-276-1610		Warren 48093, 27035 Van Dyke Blvd. ....	313-756-6711
	Van Nuys 91411, 14920 Victory Blvd. ....	818-787-5531		Westland (Detroit) 48185, 8067 North Wayne Rd. ....	313-427-1520
<b>COLORADO:</b>	Denver 80219, 1171 S. Federal Blvd. ....	303-922-8325	<b>MINNESOTA:</b>	Bloomington (Minneapolis-St. Paul) 55420, 9517 Lyndale Ave., S. ....	612-884-9191
<b>CONNECTICUT:</b>	Orange 06477, 481 Boston Post Rd. ....	203-795-3583		Kansas City 64111, 4324 Main St. ....	816-531-0629
	Wethersfield (Hartford) 06109, 662 Silius Dean Hwy. ....	203-563-5800	<b>MISSOURI:</b>	St. Ann (North St. Louis) 63074, 3637 North Lindbergh Blvd. ....	314-739-4661
<b>DISTRICT OF COLUMBIA:</b> Washington	Colimar Manor 20722, 4153 Bladensburg Rd. ....	301-779-3808		St. Louis 63131, 12852 Manchester Rd. ....	314-821-8740
	Falls Church, VA 22046, 344 W. Broad St. ....	703-533-7313	<b>NEBRASKA:</b>	Omaha 68127, 4225 S. 84th St. ....	402-592-5666
<b>FLORIDA:</b>	Fl. Lauderdale 33334, 799 E. Oakland Pk. Blvd. ....	305-566-5102	<b>NEVADA:</b>	Las Vegas 89104, 3411 East Charleston Blvd. ....	702-641-6555
	Fl. Myers 33907, 5224 Bank Street. ....	813-278-1188	<b>NEW JERSEY:</b>	Cherry Hill 08034, 1444 E. Marlon Pike/Rte. 70. ....	609-429-2822
	Jacksonville 32205, 920 Cassat Ave. ....	904-781-2253		Little Falls 07424, 1189 U.S. Highway 46. ....	201-256-9373
	Miami (North) 33168, 13345 N.W. Seventh Ave. ....	305-681-6658		Union (Scotch Plains) 07076, 2520 Route #22 East. ....	908-233-5665
	Miami (South) 33156, 12233 So. Dixie Hwy. ....	305-232-9497	<b>NEW MEXICO:</b>	Albuquerque 87110, 5617 Menaui Blvd., N.E. ....	505-884-1002
	Orlando 32803, 3807 E. Colonial Dr. ....	407-894-7011		Bufalo 14209, 881 W. Delevan Ave. ....	716-884-6220
	St. Petersburg 33709, 5635 49th St., N. ....	813-525-0273		Centerach L.I. 11720, 2061-63 Middle Country Rd. ....	516-737-4706
	Tampa 33608, 3432 W. Kennedy Blvd. ....	813-872-8817		Elmhurst (New York) 11373, 77-20 Queens Blvd. ....	718-335-1042
	West Palm Beach 33415, 310 South Military Trail. ....	407-689-3247		Latham (Albany) 12110, 836 Troy-Schenectady Rd. ....	518-785-1867
<b>GEORGIA:</b>	Atlanta (South) 30349, 5330 Old National Hwy. ....	404-762-8844		Rochester 14623, 2965 W. Henrietta Rd. ....	716-424-1310
	Smyrna 30080, 2550 Cobb Pkwy. ....	404-956-0869		Syracuse 13214, 3485 Erie Blvd., East. ....	315-446-3086
	Stone Mountain (Atlanta) 30086, 5723 Memorial Dr. ....	404-292-4714	<b>NEW YORK:</b>	Westbury L.I. (New York) 11590, 1061 Old Country Rd. ....	516-997-6140
<b>HAWAII:</b>	Honolulu 96819, 330 Sand Island Access Road. ....	808-847-7447		Charlotte 28205, 3007 E. Independence Blvd. ....	704-374-1779
<b>ILLINOIS:</b>	Des Plaines (Chicago) 60018, 1277 South Elmhurst Rd. ....	708-364-5220		Greensboro 27407, 3716 High Point Rd. ....	910-852-1300
	Lincolnwood (Chicago) 60466, 6710 N. Crawford Ave. ....	708-673-0923		Raleigh 27604, 2930 Capital Blvd. ....	919-878-0357
	Lisle (West Chicago) 60532, 2950 Ogden Ave., Unit H. ....	708-717-1075	<b>OHIO:</b>	Cincinnati 45241, 2310 E. Sharon Rd. ....	513-732-3111
	Moline 61285, 4433 23rd Ave. ....	309-762-3000		Columbus 43227, 3975 E. Livingston Ave. ....	614-237-0461
	Oak Lawn (Chicago) 60453, 6343 W. 95th St. ....	708-423-7212		Dayton 45409, 2898 S. Dixie Dr. ....	513-298-1951
	Waukegan 60085, 39 S. Greenbay Rd. ....	708-249-4390		Mayfield Heights (East Cleveland) 44124, 5681 Mayfield Rd. ....	216-449-2770
<b>INDIANA:</b>	Evansville 47710, 307 First Ave., Crescent Ctr. ....	812-425-4269		Milwaukee (Wauwatosa) 53226, 10424 West Bluemound Rd. ....	414-453-4240
	Hammond 46323, 7103 Kennedy Ave. ....	219-845-5100		Indianapolis 46224, 5999 Crawfordsville Rd. ....	317-243-8308

**ALBERTA**

Edmonton T6E 6H6, 3845 99th St. . . . . 403-462-5005

**BRITISH COLUMBIA**

Vancouver V5M 3Y7, 1735 Boundary Rd. . . . . 604-291-9942

**MANITOBA**

Winnipeg R3H OK3, 934 St. James St. . . . . 204-783-7294

**NOVA SCOTIA**

Halifax B3K 2A4, 6100 Young Street. . . . . 902-453-5090

**ONTARIO**

Brockville K6V 5W6, 100 Central Ave. . . . . 613-342-6641

Kanata K2L 1V3, 462 Hazeldean Rd #11 . . . . . 613-831-2332

Glencairm Plaza

London N6E 3A9, 981 Wellington Rd #6 . . . . . 519-649-2407

Markham L3P 3J3, 9275 Hwy 48 Unit 12/13 . . . . 905-472-6168

Mississauga L4X 1L3, 1480 Dundas St. E #7 . . . . 905-277- 0011

North York M3J 3G5, 48 Kodiak Cres . . . . . 416-635-6740

**QUEBEC**

Brossard J4W 1M6, 5840 Boul Taschereau . . . . 514-462-4881

Montreal H1Y 1B4, 3061 Belanger . . . . . 514-722-1021

**FOR ADDITIONAL SERVICE LOCATIONS**

**CALL: 1-800-9- BD TOOL**

---

**Black & Decker (U.S.) Inc. • 701 East Joppa Road, Towson, Maryland 21286**

Printed in U.S.A. (JUN95-CD-2) Form No. 159419-01 Copyright © 1994, 1995