



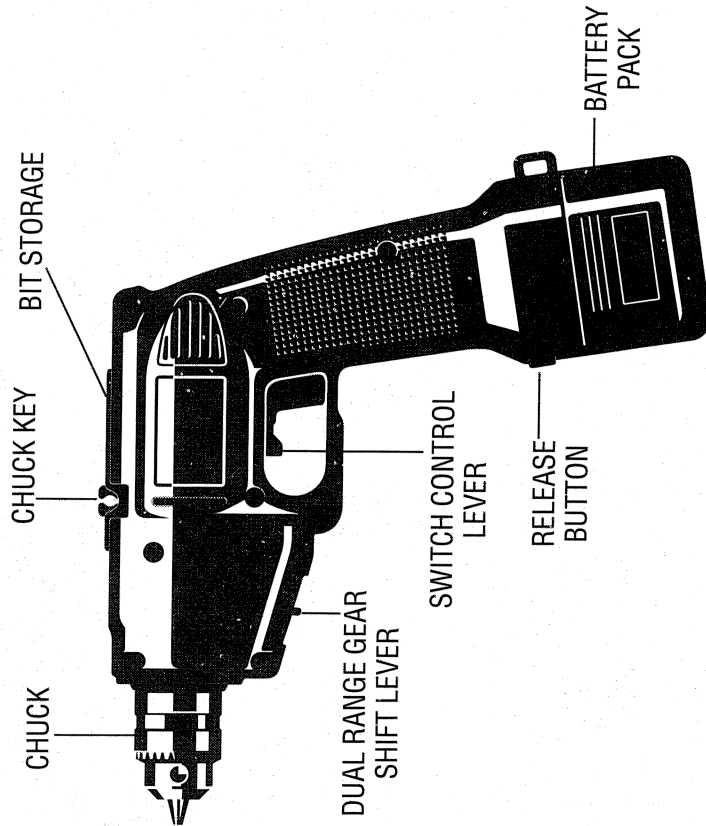
Instruction Manual

1922 7.2 Volt 3/8" Cordless Drill

Getting the most out of your tool.

Please take time to read this manual and pay particular attention to the safety rules we've provided for your protection. If you have any questions about your tool please call:

1-800-9-BD TOOL
(1-800-923-8665)



1922 7.2Volt 3/8" Cordless Drill (0-300 RPM) (0-600 RPM)

IMPORTANT SAFETY INSTRUCTIONS

WARNING: When using electric tools, basic safety precautions should always be followed to reduce risk of fire, electric shock, and personal injury, including the following:

READ ALL INSTRUCTIONS

Safety Instructions For All Tools

- **KEEP WORK AREA CLEAN.** Cluttered areas and benches invite injuries.
- **CONSIDER WORK AREA ENVIRONMENT.** Keep work area well lit. Do not use tool in presence of flammable liquids or gases.
- **GUARD AGAINST ELECTRIC SHOCK.** Prevent body contact with grounded surfaces. For example; pipes, radiators, ranges, and refrigerator enclosures.
- **KEEP CHILDREN AWAY.** Do not let visitors contact tool or extension cord. All visitors should be kept away from work area.
- **STORE IDLE TOOLS.** When not in use, tools should be stored in dry, and high or locked-up place — out of reach of children.
- **DON'T FORCE TOOL.** It will do the job better and safer at the rate for which it was intended.
- **USE RIGHT TOOL.** Don't force small tool or attachment to do the job of a heavy-duty tool. Don't use tool for purpose not intended— for example- don't use circular saw for cutting tree limbs or logs.
- **DRESS PROPERLY.** Do not wear loose clothing or jewelry. They can be caught in moving parts. Rubber gloves and non-skid footwear are recommended when working outdoors. Wear protective hair covering to contain long hair.
- **USE SAFETY GLASSES.** Also use face or dust mask if operation is dusty.
- **DON'T ABUSE CORD.** Never carry charger by cord or yank it to disconnect from receptacle. Keep cord from heat, oil, and sharp edges.
- **SECURE WORK.** Use clamps or a vise to hold work. It's safer than using your hand and it frees both hands to operate tool.
- **DON'T OVERREACH.** Keep proper footing and balance at all times.

- **MAINTAIN TOOLS WITH CARE.** Keep tools sharp and clean for better and safer performance. Follow instructions for lubricating and changing accessories. Inspect charger cords periodically and if damaged, have repaired by authorized service facility. Inspect extension cords periodically and replace if damaged. Keep handles dry, clean, and free from oil and grease.
- **DISCONNECT OR LOCK OFF TOOLS** when not in use, before servicing, and when changing accessories, such as blades, bits, cutters.
- **REMOVE ADJUSTING KEYS AND WRENCHES.** Form habit of checking to see that keys and adjusting wrenches are removed from tool before turning it on.
- **AVOID UNINTENTIONAL STARTING.** Don't carry tool with finger on switch. Be sure switch is off when plugging in.
- **EXTENSION CORDS.** Make sure your extension cord is in good condition. When using an extension cord, be sure to use one heavy enough to carry the current your product will draw. An undersized cord will cause a drop in line voltage resulting in loss of power and overheating. The following table shows the correct size to use depending on cord length and nameplate ampere rating. If in doubt, use the next heavier gage. The smaller the gage number, the heavier the cord.

Minimum Gage for Cord Sets

Volts	Total Length of Cord in Feet		
	0-25	26-50	51-100
120V			
240V			

Ampere Rating More Than	AWG		
	6	10	12
0	18	16	14
6	18	16	12
10	16	16	12
12	14	12	Not Recommended

- **STAY ALERT.** Watch what you are doing. Use common sense. Do not operate tool when you are tired.
- **CHECK DAMAGED PARTS.** Before further use of the tool, a guard or other part that is damaged should be carefully checked to determine that it will operate properly and perform its intended function. Check for alignment of moving parts, binding of moving parts, breakage of parts, mounting, and any other conditions that may affect its operation. A guard or other part that is damaged should be

- properly repaired or replaced by an authorized service center unless otherwise indicated elsewhere in this instruction manual. Have defective switches replaced by authorized service center. Do not use tool if switch does not turn it on and off.
- **CAUTION:** When drilling or driving into walls, floors or wherever live electrical wires may be encountered, DO NOT TOUCH ANY METAL PARTS OF THE TOOL! Hold the tool only by insulated grasping surfaces to prevent electric shock if you drill or drive into a live wire.

SAVE THESE INSTRUCTIONS

Important Safety Instructions for Battery Chargers

This manual contains important safety and operating instructions.

- Before using charger, read all instructions and cautionary markings on (1) charger, (2) battery pack, and (3) product using battery pack.
- **DANGER:** 120 volts present at charging terminals. Do not probe with conductive objects. Danger of electric shock or electrocution.
- **DANGER:** If battery pack case is cracked or damaged, do not insert into charger. Danger of electric shock or electrocution.
- The charger and battery pack are specifically designed to work together. DO NOT attempt to charge the battery pack with any chargers other than the ones in this manual.
- Do not expose charger to rain or snow.
- These chargers are not intended for any uses other than charging B&D rechargeable batteries. Any other uses may result in risk of fire, electric shock or electrocution.
- To reduce risk of damage to electric plug and cord, pull by plug rather than cord when disconnecting charger.
- Make sure cord is located so that it will not be stepped on, tripped over, or otherwise subjected to damage or stress.
- An extension cord should not be used unless absolutely necessary. Use of improper extension cord could result in risk of fire, electric shock, or electrocution.
- An extension cord must have adequate wire size (AWG or American Wire Gauge) for safety. The smaller the gauge number of the wire, the greater the capacity of

the cable, that is 16 gauge has more capacity than 18 gauge. When using more than one extension to make up the total length, be sure each individual extension contains at least the minimum wire size.

Recommended Minimum AWG Size for Extension Cords

Total Extension Cord Length (feet)	75	100	125	150	175
25	50	75	100	125	150
Wire Gauge	18	18	16	14	14
	18	18	16	14	12

- The charger is ventilated through slots in the top and the bottom of the housing. Do not place any object on top of charger or place the charger on a soft surface that might block the ventilation slots and result in excessive internal heat. Place the charger in a position away from any heat source.
- Do not operate charger with damaged cord or plug — have them replaced immediately.
- Do not operate charger if it has received a sharp blow, been dropped, or otherwise damaged in any way; take it to an authorized service center.
- Do not disassemble charger; take it to an authorized service center when service or repair is required. Incorrect reassembly may result in a risk of electric shock, electrocution or fire.
- To reduce risk of electric shock, unplug charger from outlet before attempting any cleaning. Removing the battery pack will not reduce this risk.
- NEVER attempt to connect 2 chargers together.
- DO NOT store or use the tool and battery pack in locations where the temperature may reach or exceed 105°F (such as outside sheds or metal buildings in summer).
- The charger is designed to operate on standard household electrical power (120 Volts). Do not attempt to use it on any other voltage!

SAVE THESE INSTRUCTIONS

Important Safety Instructions for Battery Packs

The battery pack is not fully charged out of the carton! First read the safety instructions below. Then follow charging notes and procedures.

READ ALL INSTRUCTIONS

- Do not incinerate the battery pack even if it is severely damaged or is completely worn out. The battery pack can explode in a fire.
- A small leakage of liquid from the battery pack cells may occur under extreme usage or temperature conditions. This does not indicate a failure. However, if the outer seal is broken and this leakage gets on your skin:
 - Wash quickly with soap and water.
 - Neutralize with a mild acid such as lemon juice or vinegar.
 - If battery liquid gets into your eyes, flush them with clean water for a minimum of 10 minutes and seek immediate medical attention. (Medical note: The liquid is 25-35% solution of potassium hydroxide.)
- Never attempt to open the battery pack for any reason. If the plastic housing of the battery pack breaks or cracks, immediately discontinue use and do not recharge.
- Do not carry extra battery packs in aprons, pockets, or tool boxes along with other metal objects. Battery pack could be short circuited causing damage to the battery pack and possibly causing severe burns or fire.
- Charge the battery packs only in Black & Decker chargers.
- **NOTE:** Review and observe all of the "Important Charging Notes" in the charger instruction section of this manual.
- **NOTE:** The batteries in your battery pack are the nickel-cadmium type. Cadmium is considered to be a toxic material by the Environmental Protection Agency. Before disposing of damaged or worn out Nickel-Cadmium battery packs, check with your state Environmental Protection Agency to find out about special restrictions on the disposal of these battery packs or return them to a B&D certified service center for recycling.

Battery Packs

Your tool uses a 7.2 Volt battery pack. When ordering replacement battery packs, be sure to include catalog number and voltage (Cat.# 98046).

Charging Procedure

Be sure to read all safety instructions before using your charger. The **98014 charger** is designed to charge battery packs in about 1 hour. This charger requires no adjustment and is designed to be as easy as possible to operate. Simply place your battery pack into the receptacle of a plugged in charger (Figure 1) and it will automatically charge the pack.

1. Plug the charger into an appropriate AC power outlet.
2. Insert the battery pack into the charger, as shown in Figure 1, making sure the pack is fully seated in the charger. The red (charging) light will blink continuously indicating that the charging process has started.
3. The battery pack will be fully charged in about 1 hour. The completion of charge will be indicated by the red light remaining ON continuously. The pack is fully charged and may be used at this time or left in the charger.

Leaving the battery pack in the charger: When the red light remains ON, the charger has switched to its "equalize charge" mode which lasts approximately 4 hours, after which the charger will switch to "maintenance charge" mode. The battery pack can be removed at any time during these charge cycles, but will only be fully charged if the red light is continuously ON. The charger and battery pack can be left connected with the red light glowing indefinitely. The charger will keep the battery pack fresh and fully charged. A battery pack will slowly lose its charge when kept out of the charger. If the battery pack has not been kept on maintenance charge, it may need to be recharged before use. A battery pack may also slowly lose its charge if left in a charger that is not plugged into an appropriate AC source.

Trouble Indicators: This charger is designed to detect certain problems that can arise with battery packs which would be indicated by the red light flashing at a fast rate and continuous beeping. If this occurs, re-insert battery pack. If problem persists, try a different battery pack to determine if the charger is OK. If the new pack charges correctly, then the original pack is defective and should be returned to a service center for recycling. If the new battery pack elicits the same trouble indication as the original, have charger tested at an authorized service center.

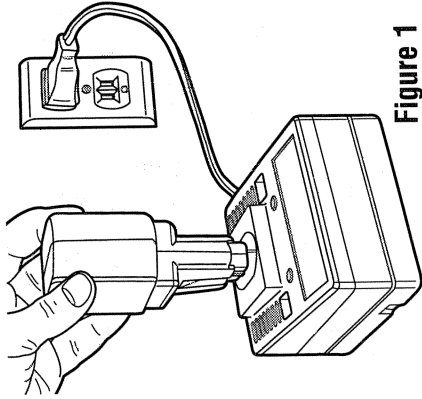


Figure 1

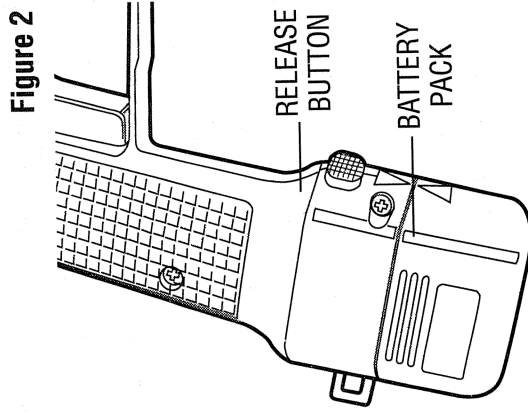


Figure 2

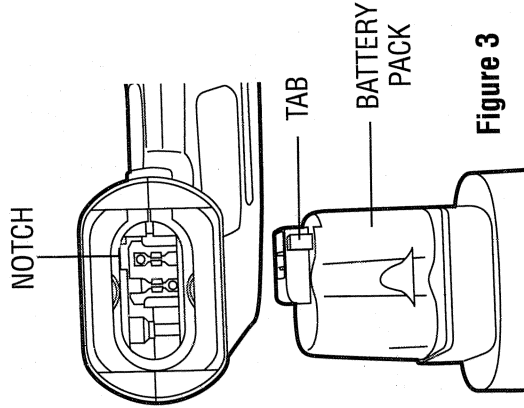


Figure 3

Important Charging Notes

1. Longest life and best performance can be obtained if the battery pack is charged when the air temperature is between 65°F and 75°F (18°- 24°C). DO NOT charge the battery pack in an air temperature below +40°F(+4.5°C), or above +105°F (+40.5°C). This is important and will prevent serious damage to the battery pack.
2. The charger and battery pack may become warm to touch while charging. This is a normal condition, and does not indicate a problem.
3. If the battery pack does not charge properly — (1) Check current at receptacle by plugging in a lamp or other appliance, (2) Check to see if receptacle is connected to a light switch which turns power off when you turn out the lights. (3) Move charger and battery pack to a location where the surrounding air temperature is approximately 65°F - 75°F (18° - 24°C). (4) If charging problems persist, take or send the tool, battery pack and charger to your local service center.
4. The battery pack should be recharged when it fails to produce sufficient power on jobs which were easily done previously. DO NOT CONTINUE to use under these conditions. Follow the charging procedure. You may also charge a partially used pack whenever you desire with no adverse affect on the battery pack.
5. Under certain conditions, with the charger plugged in to the power supply, the exposed charging contacts inside the charger can be shorted by foreign material. Foreign materials of a conductive nature such as, but not limited to, steel wool, aluminum foil, or any buildup of metallic particles should be kept away from charger cavities. Always unplug the charger from the power supply when there is no battery pack in the cavity. Unplug charger before attempting to clean.
6. Do not freeze or immerse charger in water or any other liquid.

7. **WARNING:** Don't allow any liquid to get inside charger. Electric shock may result. To facilitate the cooling of the battery pack after use, avoid placing the charger or battery pack in a warm environment such as in a metal shed, or an uninsulated trailer.

8. **CAUTION:** Never attempt to open the battery pack for any reason. If the plastic housing of the battery pack breaks or cracks, return to a service center for recycling.

Important!

This product is not user servicable. There are no user servicable parts inside the charger. Servicing at an authorized service center is required to avoid damage to static sensitive internal components.

READ ALL OF THE INSTRUCTIONS IN THE BATTERY CHARGER SECTION OF THIS MANUAL BEFORE ATTEMPTING TO CHARGE THE BATTERY PACK FOR YOUR TOOL.

ALWAYS USE CORRECT BATTERY PACK (PACK SUPPLIED WITH TOOL OR REPLACEMENT PACK EXACTLY LIKE IT.) NEVER INSTALL ANY OTHER BATTERY PACK. IT WILL RUIN YOUR TOOL AND MAY CREATE A HAZARDOUS CONDITION.

Installing and Removing the Battery Pack

NOTE: MAKE SURE YOUR BATTERY PACK IS FULLY CHARGED.

To install the battery pack, align the tab, shown in Figure 3, with the notch inside the tool's handle and slide the battery pack firmly into the handle until you hear the lock snap into place.

To remove the battery pack from the tool, press the release buttons and firmly pull the battery pack out of the tool handle. Insert it into the charger as described in the charger section of this manual.

Chuck Key Storage and Use

The chuck key for your drill is stored on top of the housing, as shown in Figure 4. To remove the chuck key, grasp as shown in Figure 4 and pull the key up and out. To return the key to the holder, insert and push firmly until the clip snaps it to hold it in place.

To install a drill bit, place switch control lever (Figure 5) into center "LOCK OFF" position, loosen the chuck jaws and insert the bit all the way into the chuck. Pull the bit out about 1/8" and tighten the chuck with the key. Tighten in all three holes to prevent slippage.

To remove bit, loosen the jaws in one hole only and remove bit. Always replace chuck key in the holder when finished.

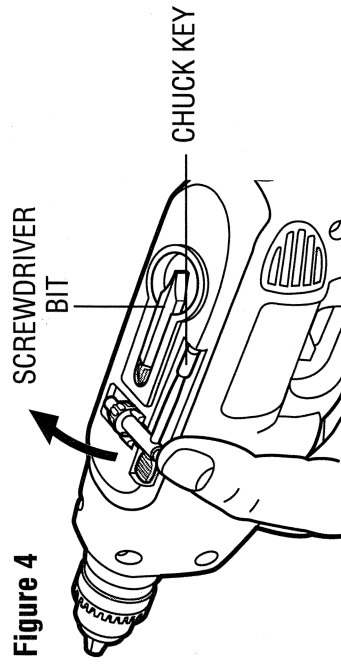


Figure 4

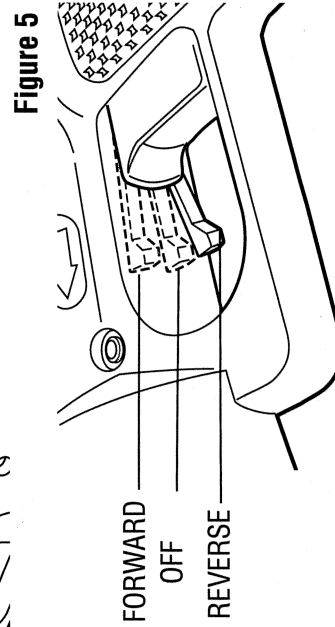


Figure 5

Screwdriver Bit Storage

A double ended screwdriver bit is stored in the top of the housing with the chuck key. Place it in the chuck as you would any drill bit.

Switches

To turn the drill "ON", squeeze the trigger switch; to turn the drill "OFF", release the trigger switch.

This drill is equipped with a variable speed switch which enables you to select the best speed for a particular application. The farther you squeeze the trigger, the faster the drill will operate.

NOTE: Continuous operation at extremely low speeds may damage the drill and should be avoided.

Use lower speeds for starting holes without a center punch, in metals or plastics, driving screws, or drilling ceramics. Higher speeds are better for drilling in wood, wood compositions and for using abrasive and polishing accessories.

A switch control lever determines the direction of rotation of the tool and also serves as a "LOCK OFF" lever. To select forward rotation (for drilling operations and driving screws) release the trigger switch and push the switch control lever to the right (when viewed from the chuck end) as shown in Figure 5.

To select reverse (for backing out screws or jammed drill bits) push the lever to the left (when viewed from the chuck end). The center position of the lever locks the tool in the "OFF" position.

When changing the position of the switch control lever, be sure the tool is "OFF" and has stopped coasting.

Dual Range Operation (Figure 6)

Your drill has a Dual Range feature that lets you select higher torque for heavier duty drilling jobs. To select the low speed, high torque setting, turn the tool off and permit it to coast. Slide the range lever back toward the trigger guard (while coasting), as shown in Figure 6 (the symbol I will appear on the lever).

For standard duty drilling jobs, select the high speed, low torque setting. Turn off the drill and permit it to coast. Slide the range lever forward toward the chuck (while coasting) (the symbol II will appear on the lever).

(Symbol I)	(Symbol II)
Low Range	High Range
0-300 RPM	0-600 RPM

NOTE: It may sometimes be necessary to manually rotate the chuck slightly in order to shift from one range to the other. The lever must travel all the way to the opposite end of the slot in the housing. Operation at any other point will damage the drill.

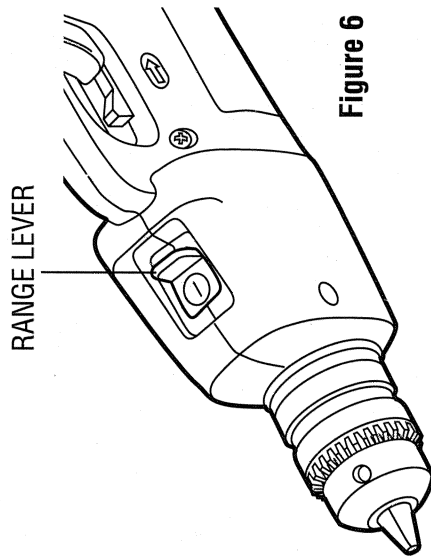


Figure 6

Drilling

1. Use sharp drill bits only. For WOOD, use twist drill bits, spade bits, power auger bits, or hole saws. For METAL, use high speed steel twist drill bits or hole saws. For MASONRY, such as brick, cement, cinder block, etc., use carbide-tipped bits.
2. Be sure the material to be drilled is anchored or clamped firmly. If drilling thin material, use a "back-up" block to prevent damage to the material.
3. Always apply pressure in a straight line with the bit. Use enough pressure to keep the drill bit biting, but do not push hard enough to stall the motor or deflect the bit.
4. Hold tool firmly to control the twisting action of the drill.
5. IF DRILL STALLS, it is usually because it is being overloaded. RELEASE TRIGGER IMMEDIATELY, remove drill bit from work, and determine cause of stalling. DO NOT CLICK TRIGGER OFF AND ON IN AN ATTEMPT TO START A STALLED DRILL – THIS CAN DAMAGE THE DRILL.
6. To minimize stalling or breaking through the material, reduce pressure on drill and ease the bit through the last fractional part of the hole.
7. Keep the motor running when pulling the bit back out of a drilled hole. This will help prevent jamming.
8. With variable speed drills there is no need to center punch the point to be drilled. Use a slow speed to start the hole and accelerate by squeezing the trigger harder when the hole is deep enough to drill without the bit skipping out.

Drilling in Metal

Use a cutting lubricant when drilling metals. The exceptions are cast iron and brass which should be drilled dry. The cutting lubricants that work best are sulphurized cutting oil or lard oil; bacon grease will also serve the purpose.

Drilling in Wood

Holes in wood can be made with the same twist drills used for metal. These bits may overheat unless pulled out frequently to clear chips from the flutes. For larger holes, use Power Drill Wood Bits. Work that is apt to splinter should be backed up with a block of wood.

Drilling in Masonry

Use carbide tipped masonry bits at low speeds. Keep even force on the drill but not so much that you crack the brittle materials. A smooth, even flow of dust indicates the proper drilling rate.

Chuck Removal (Figures 7 & 8)

1. Place chuck key in chuck as shown in Figure 7. Using a wooden mallet or similar object, strike key sharply in a CLOCKWISE direction. This will loosen screw inside chuck.
2. Open chuck jaws fully. Insert screwdriver into front of chuck between jaws to engage screw head. Remove screw by turning clockwise (left-hand thread).
3. Place key in chuck as shown in Figure 8. Using a wooden mallet or similar object, strike key sharply in a COUNTERCLOCKWISE direction. This will loosen chuck so that it can be unscrewed by hand.

Figure 7

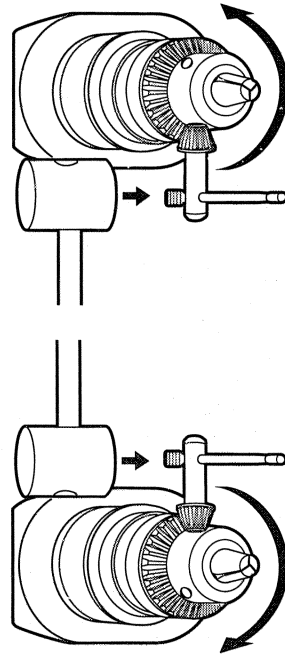


Figure 8

Accessories

Recommended accessories for use with your tool are available at extra cost from your distributor or local service center.

CAUTION: The use of any non-recommended accessory may be hazardous.

If you need assistance in locating any accessory call **1-800-9-BD TOOL:** (1-800-923-8665) or contact Black & Decker (U.S.) Inc., Consumer Services Department, 626 Hanover Pike, P.O. Box 618, Hampstead, MD 21074.

Maximum Recommended Capacities

DRILL CAPACITY	Low Range	High Range
R.P.M.	0-300	0-600
BITS, METAL DRILLING	3/8"	1/4"
WOOD, FLAT BORING	1"	3/4"
BITS, MASONRY DRILLING	9/16"	1/2"

IMPORTANT!

To assure product safety and reliability, particularly for double insulated tools, repairs, maintenance and adjustment (excluding maintenance described in this manual) should be performed by B&D service centers or authorized service centers, using identical B&D replacement parts.

Every B&D tool is of the highest quality.

If you wish to contact us regarding this product, please call toll free between 8:00am and 8:00pm ET, seven days a week.

1-800-9-BD TOOL
(1-800-923-8665)

One Year Free Maintenance

All B&D tools for Industry and Construction are covered under a one year free maintenance program where B&D will inspect your tool for safety and provide necessary maintenance or repairs, including normal wear and tear parts, for one year, FREE OF CHARGE.

Full Warranty

All B&D tools for Industry and Construction are warranted to be free of any defects in materials or workmanship. Upon thorough examination of tool, B&D will repair or replace, at our option, any product that is determined to be defective.

Conditions

The service/safety check and the warranty do not apply to: repairs made or attempted by anyone other than an authorized B&D service location; misuse, abuse, neglect, improper application of the tool; missing parts; or normal wear and tear (after first year of ownership). Please return the complete unit, transportation prepaid, to any B&D factory owned or B&D authorized service center location (list provided with tool or see Yellow Pages under "Tools Electric").

YOUR POWER TOOLS MAY BE SERVICED AT THE FOLLOWING B&D SERVICE DEPOTS.

ALBERTA

Edmonton T5M1V1, 11440 142nd St. 403-453-2373

BRITISH COLUMBIA

Vancouver V5M3Y7, 1735 Bounrdy Rd 604-291-9942

MANITOBA

Winnipeg R3H0K3, 934 St. James St. 204-783-7294

NOVA SCOTIA

Halifax B3K2A4, 6100 Young St. 902-453-5090

ONTARIO

Brockville K6V5W6, 100 Central Ave. 613-342-6641
London N6E3A9, 981 Wellington Rd #6. 519-649-2407
Mississauga L4X1L3, 1480 Dundas St.E#6. 905-277-0011
North York M3J3H1, 48 Kodiak Cros. 416-635-6740

QUÉBEC

Montréal H1Y1B4, 3061 Bélanger 514-722-1021

FOR ADDITIONAL SERVICE LOCATIONS

CALL: 1-800-9-BD TOOL

YOUR POWER TOOLS MAY BE SERVICED AT THE FOLLOWING B&D SERVICE CENTERS.

ALABAMA:	Birmingham 35209, 2412 Green Springs Hwy.	205-942-0538	IOWA:	Des Moines 50310, 3427 Merle Hay Rd.	515-270-1340	OHIO (CONT'D)	Parma Heights (Cleveland) 44130, 6483 Pearl Road.	216-842-9100	
	Mobile 36608, 3831 Airport Blvd.	205-343-6624	KANSAS:	Wichita 67213, 155 S. West St.	316-943-1271	OKLAHOMA:	Toledo 43607, 3231 Dorr St.	419-531-8921	
ALASKA:	Anchorage 99518, 910 West International Airport Rd.	907-563-4664	KENTUCKY:	Louisville 40213, 5211 Preston Hwy.	502-968-7100	Oklahoma City 73106, 1318 Linwood Blvd.	405-232-7515		
ARIZONA:	Mesa 85202, 535 S. Dobson, Suite 7, 602-461-1074		LOUISIANA:	Baton Rouge 70815, 11859 Florida Blvd.	504-272-8111	Tulsa 74145, 3120 S. Sheridan Rd.	405-232-5666		
	Phoenix 85013, 4501 N. 7th Avenue	602-279-6414		Harvey 70058, 2500 Lapalco Blvd.	504-666-8676	OREGON:	Portland 97209, 1640 N.W. Johnson St.	503-228-8631	
	Tucson 85712, 4845 E. Speedway Blvd.	602-325-3388		Metairie (New Orleans) 70002, 3504 N. Causeway Blvd.	504-837-2550	PENNSYLVANIA:	Evans City 16033, 20808 Rt. 19 North	412-779-9600	
ARKANSAS:	Little Rock 72201, 519 W. Seventh St.	501-372-3040		Shreveport 71108, 7710-7714 Jewella Rd.	318-688-1553	Harrisburg 17112, 6080 Allentown Blvd.	717-545-0651		
CALIFORNIA:	Anaheim 92806, 540 South State College Blvd.	714-772-4050	MARYLAND:	Baltimore (East) 21205, 4712 Erdman Ave.	410-485-5550	Lancaster 17601, 118 Keller Ave.	717-393-9251		
	Chula Vista 91910, 309 Broadway	619-420-6350		Baltimore (North) 21030, 29-31 Cranbrook Rd., Cockeysville	410-666-5966	Philadelphia 19103, 333 N. 20th St.	215-564-5520		
	Concord 94520, 1500 Monument Blvd., #C2	510-682-4880		Baltimore (South) 21122, 8220 Ritchie Hwy., Pasadena	410-647-8456	Philadelphia (North) 19115, 9977-81 Bustleton Ave.	215-464-2771		
	Fresno 93710, 5412 North Blackstone Ave.	209-435-0810		Colmar Manor 20722, 4153 Bladensburg Rd.	301-779-3808	Pittsburgh 15232, 5437 Baum Blvd.	412-362-2700		
	Long Beach 90805, 2011 South St.	310-422-5825	MASSACHUSETTS:	Brighton (Boston) 02135, 12 Market St.	617-782-6264	Whitehall (Allentown) 18052, 2242 MacArthur Rd.	610-435-9544		
	Los Angeles 90040, 4820 South Eastern Ave., Suite "L"	213-720-1834		Seekonk 02771, 120 Highland Ave.	508-336-6510	Wilkes-Barre 18702, 759 Kidder Street	717-824-5704		
	Riverside 92506, 6215 Magnolia Ave., Suite "B"	909-787-9700	MICHIGAN:	Grand Rapids 49512, 3040 28th St., S.E.	616-949-8331	PUERTO RICO:	Puerto Nuevo	809-783-3535	
	Sacramento 95825, 2033 Fulton Ave.	916-972-9090		Lansing 48917, 3203 W. Saginaw Hwy	517-323-4181	RHODE ISLAND:	See Seekonk, MA		
	San Diego 92123, 9270 Clairemont Mesa Blvd.	619-279-2011		Warren 48093, 27035 Van Dyke Blvd.	313-756-6711	SOUTH CAROLINA:	Greenville 29607, 1557 Laurens Rd.	803-232-3038	
	San Jose 95128, 1185 So. Bascom Ave.	408-293-7350		Westland (Detroit) 48185, 8067 North Wayne Rd.	313-427-1520	TENNESSEE:	Chattanooga 37421, 6231 Perimeter Drive, Space E.	615-894-5957	
	San Leandro 94578, 15206 E. 14th St.	510-276-1610		Bloomington (Minneapolis-St. Paul) 55420, 9517 Lyndale Ave., S.	612-884-9191		Knoxville 37917, 4118 N. Broadway	615-688-0921	
	Van Nuys 91411, 14920 Victory Blvd.	818-787-5531	MINNESOTA:	St. Ann (North St. Louis) 63074, 3637 North Lindbergh Blvd.	314-739-4661		Memphis 38116, 1085 East Brooks Rd.	901-332-3444	
COLORADO:	Denver 80219, 1171 S. Federal Blvd.	303-922-8325		St. Louis 63131, 12852 Manchester Rd.	314-821-8740		Nashville 37211, 4811 Nolensville Rd.	615-833-8277	
CONNECTICUT:	Orange 06477, 481 Boston Post Rd.	203-795-3583		MISSOURI:	Kansas City 64111, 4324 Main St.		TEXAS:	Amarillo 79106, 3008 West 6th Ave.	806-373-1531
DISTRICT OF COLUMBIA:	Washington				St. Ann (North St. Louis) 63074, 3637 North Lindbergh Blvd.	314-739-4661		Austin 78757, 6549 Burnet Rd.	512-459-1133
FLORIDA:	Falls Church, VA 22046, 344 W. Broad St.	703-539-7313			Omaha 68127, 4225 S. 84th St.	402-592-5666		Dallas 75229, 2257 Royal Ln.	214-620-6655
	Fl. Lauderdale 33334, 799 E. Oakland Pk. Blvd.	305-566-5102			NEBRASKA:	Las Vegas 89104, 3411 East Charleston Blvd.		Fort Worth 76111, 721 North Beach St.	817-831-3828
	Fl. Myers 33907, 5224 Bank Street	813-278-1188			NEVADA:	Las Vegas 89104, 3411 East Charleston Blvd.		Gaithland 75043, 718 W. Centerville Rd.	214-686-9302
	Jacksonville 32205, 920 Cassat Ave.	904-781-2253			NEW JERSEY:	Cherry Hill 08034, 1444 E. Marlon Pike/Rte. 70		Houston 77022, 536 E. Tidwell Rd.	713-692-7111
	Miami (North) 33168, 13345 N.W. Seventh Ave.	305-681-6658				Little Falls 07424, 1189 U.S. Highway 46.		Houston (S.W.) 77025, 9319 Stella Link Blvd.	713-664-3666
	Miami (South) 33156, 12233 So. Dixie Hwy.	305-232-9497				Union (Scottish Plains) 07076, 2520 Route #22 East		San Antonio 78201, 500 Culebra Ave.	210-732-1221
	Orlando 32803, 3807 E. Colonial Dr.	407-894-7011				NEW MEXICO:	Albuquerque 87110, 5617 Menaul Blvd., N.E.	Webster 77598, 100 East Nasa Rd. One	713-338-4556
	St. Petersburg 33709, 5635 49th St., N.	813-525-0273							
	Tampa 33609, 3432 W. Kennedy Blvd.	813-872-8317							
	West Palm Beach 33415, 310 South Military Trail	407-689-3247							
GEORGIA:	Atlanta (South) 30349, 5330 Old National Hwy.	404-762-8844							
	Smyrna 30080, 2550 Cobb Pkwy.	404-956-0869							
	Stone Mountain (Atlanta) 30086, 5723 Memorial Dr.	404-292-4714							
HAWAII:	Honolulu 96819, 330 Sand Island Access Road	808-847-7447							
ILLINOIS:	Des Plaines (Chicago) 60018, 1277 South Elmhurst Rd.	708-364-5220							
	Lincnolnwood (Chicago) 60646, 6710 N. Crawford Ave.	708-679-0923							
	Lisle (West Chicago) 60532, 2950 Ogden Ave., Unit H	708-717-1075							
	Moline 61265, 4433 23rd Ave.	309-762-3000							
	Oak Lawn (Chicago) 60453, 6343 W. 95th St.	708-423-7212							
	Waukegan 60085, 39 S. Greenbay Rd.	708-249-4390							
INDIANA:	Evansville 47710, 307 First Ave. Crescent Ctr.	812-425-4269							
	Hammond 46323, 7103 Kennedy Ave.	219-845-5100							
	Indianapolis 46224, 5999 Crawfordsville Rd.	317-243-8308							

Black & Decker (U.S.) Inc. • 701 East Joppa Road, Towson, Maryland 21286

Printed in U.S.A. (NOV94-CO-1) Form No. 159427 Copyright © 1994