

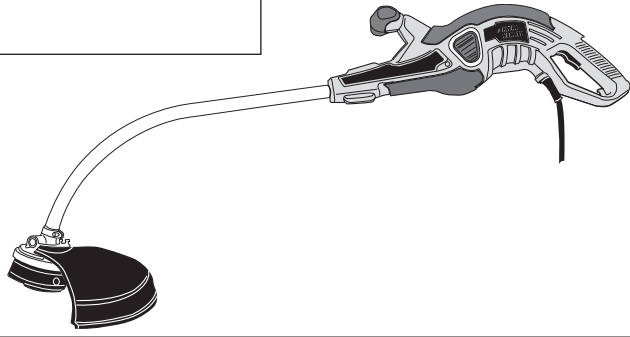
BLACK & DECKER®

GH1000, GH1100, GH2000 TRIMMER/EDGER

INSTRUCTION MANUAL

Date Code:

Catalog Number: GH1000
GH1100
GH2000



Thank you for choosing Black & Decker!
Go to www.BlackandDecker.com/NewOwner
to register your new product.

PLEASE READ BEFORE RETURNING THIS
PRODUCT FOR ANY REASON:

If you have a question or experience a problem with your Black & Decker purchase, go to
[HTTP://WWW.BLACKANDECKER.COM/INSTANTANSWERS](http://www.blackanddecker.com/instantanswers)
for instant answers 24 hours a day.

If you can't find the answer or do not have access to the internet,
call 1-800-544-6986 from 8 a.m. to 5 p.m. EST Mon. -- Fri. to speak with an agent.
Please have the catalog number available when you call.

KEY INFORMATION YOU SHOULD KNOW:

- The guard must be installed before trimming or edging - if not, the motor will overheat.
- When replacing the line, use only .080 inch diameter ROUND line - otherwise the unit will not function properly.
- Do not bump the feed head against the ground - it will disrupt the feed mechanism.
- Angle tool slightly (5° to 10°) when trimming.
- Always use the cord retainer and the extension cord lock feature.
- For trouble free feeding and best results, only use Black & Decker replacement spools with dual 0.080 inch line. Black & Decker replacement spool model number DF-080.

SAVE THIS INSTRUCTION MANUAL FOR FUTURE REFERENCE.

Cat No. GH1000, GH1100, GH2000 Form No. 90579142 August 2011
Copyright © 2011 Black & Decker Printed in China

⚠ WARNING: IMPORTANT SAFETY WARNINGS AND INSTRUCTIONS

TO REDUCE RISK OF INJURY:

- Before any use, be sure everyone using this tool reads and understands all safety instructions and other information contained in this manual.
- Save these instructions and review frequently prior to use and in instructing others.

⚠ CAUTION: Failure to comply with the recommendations outlined in the key information section will void warranty.

⚠ WARNING: When using electric gardening appliances, basic safety precautions should always be followed to reduce risk of fire, electric shock, and personal injury, including the following:

⚠ WARNING: Some dust created by this product contains chemicals known to the State of California to cause cancer, birth defects or other reproductive harm. Some examples of these chemicals are:

- compounds in fertilizers
- compounds in insecticides, herbicides and pesticides
- arsenic and chromium from chemically treated lumber

To reduce your exposure to these chemicals, wear approved safety equipment such as dust masks that are specially designed to filter out microscopic particles.

⚠ WARNING: This product contains chemicals, including lead, known to the State of California to cause cancer, and birth defects or other reproductive harm. Wash hands after handling.

⚠ CAUTION: Wear appropriate personal hearing protection during use. Under some conditions and duration of use, noise from this product may contribute to hearing loss.

READ AND UNDERSTAND ALL INSTRUCTIONS BEFORE USING.

SAFETY GUIDELINES - DEFINITIONS

It is important for you to read and understand this manual. The information it contains relates to protecting YOUR SAFETY and PREVENTING PROBLEMS. The symbols below are used to help you recognize this information.

⚠ DANGER: Indicates an imminently hazardous situation which, if not avoided, will result in death or serious injury.

⚠ WARNING: Indicates a potentially hazardous situation which, if not avoided, could result in death or serious injury.

⚠ CAUTION: Indicates a potentially hazardous situation which, if not avoided, may result in minor or moderate injury.

CAUTION: Used without the safety alert symbol indicates a potentially hazardous situation which, if not avoided, may result in property damage.

⚠ GENERAL SAFETY WARNINGS AND INSTRUCTIONS FOR ALL TOOLS

- ALWAYS WEAR EYE PROTECTION – Wear safety spectacles or goggles at all times when this tool is plugged in.
- GUARD – Do not use this tool without guard attached.
- DRESS PROPERLY – Do not wear loose clothing or jewelry. They can be caught in moving parts. Rubber gloves and substantial rubber soled footwear are recommended when working outdoors. Don't operate the tool when barefoot or wearing open sandals. Wear long pants to protect your legs. Wear protective hair covering to contain long hair.
- NYLON LINE – Keep face, hands and feet clear of rotating nylon line at all times.
- THE ROTATING LINE PERFORMS A CUTTING FUNCTION – Use care when trimming around screens and desirable plantings.
- KEEP ALL BY-STANDERS AWAY – at a safe distance from work area, especially children.

- IMPORTANT WARNING – When being used as an Edger, stones, pieces of metal and other objects can be thrown out at high speed by the line. The tool and guard are designed to reduce the danger. However, the following special precautions should be taken:
- MAKE SURE that other persons and pets are at least 100 feet (30m) away.
- TO REDUCE THE RISK of rebound (ricochet) injury, work going away from any nearby solid object such as wall, steps, large stone, tree, etc. Use great care when working close to solid objects and where necessary, do edging or trimming by hand.
- AVOID ACCIDENTALLY STARTING – Don't carry plugged-in tool with finger on trigger.
- DO NOT FORCE THE TOOL – at a rate faster than the rate at which it is able to cut effectively.
- USE THE RIGHT TOOL – Do not use this tool for any job except that for which it is intended.
- DON'T OVERREACH – Keep proper footing and balance at all times.
- DON'T ABUSE CORD – Don't yank cord from power supply. Keep cord from heat, oil, and sharp edges.
- DAMAGE TO UNIT – If you strike or become entangled with a foreign object, stop tool immediately, unplug, check for damage and have any damage repaired before further operation is attempted. Do not operate with a broken hub or spool.
- DAMAGE TO CORD – Keep power cord away from rotating line. If you damage the cord, unplug it from the power supply before moving the tool or examining the damage. A damaged cord must be replaced before further use.
- DISCONNECT TOOL – when not in use, when replacing line, or prior to cleaning.
- AVOID DANGEROUS ENVIRONMENTAL CONDITIONS – Do not use electric tools in damp or wet locations. Follow all instructions in this Instruction Manual for proper operation of your tool. Don't use the tool in the rain.
- DO NOT OPERATE portable electric tools in gaseous or explosive atmospheres. Motors in these tools normally spark, and the sparks might ignite fumes.
- STORE IDLE TOOLS INDOORS – When not in use, tools should be stored indoors in a dry, locked-up place out of reach of children.
- GROUND FAULT CIRCUIT INTERRUPTER (GFCI) protection should be provided on the circuits or outlets to be used for the gardening appliance. Receptacles are available having built in GFCI protection and may be used for this measure of protection.
- SECURE EXTENSION CORD using the cord retainer shown in Figure 3.
- STAY ALERT – Watch what you are doing. Use common sense. Do not operate tool when you are tired.
- MAINTAIN APPLIANCES WITH CARE – Follow instructions in maintenance section. Inspect extension cords periodically and replace if damaged. Keep handles dry, clean and free from oil and grease.
- CHECK DAMAGED PARTS – Before further use of the appliance, a guard or other part that is damaged should be carefully checked to determine that it will operate properly and perform its intended function. Check for alignment of moving parts, binding of moving parts, breakage of parts, mounting, and any other condition that may affect its operation. A guard or other part that is damaged should be properly repaired or replaced by an authorized service center unless otherwise indicated elsewhere in this manual.

⚠ WARNING: When servicing double insulated tools, USE ONLY IDENTICAL REPLACEMENT PARTS. Replace or repair damaged cords.

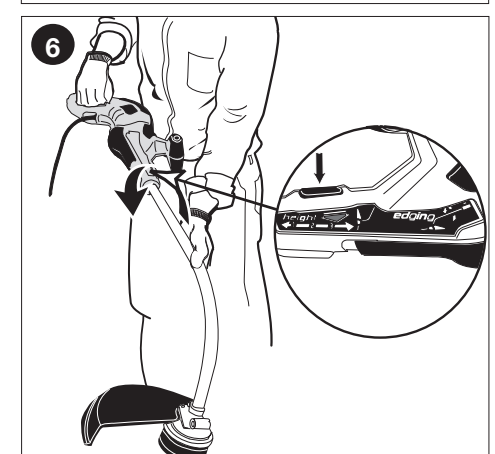
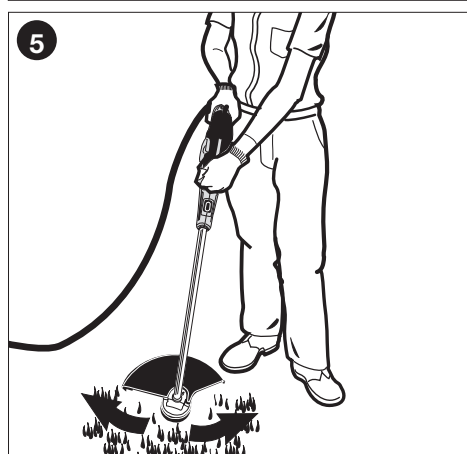
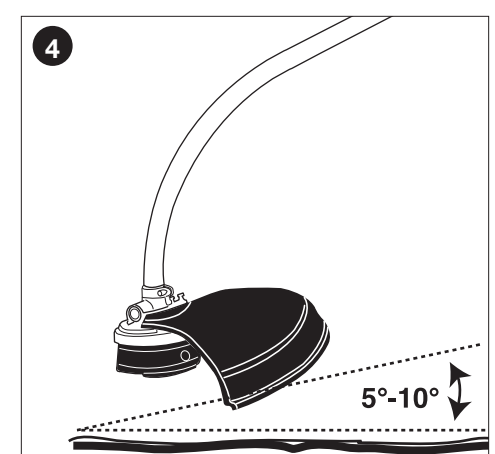
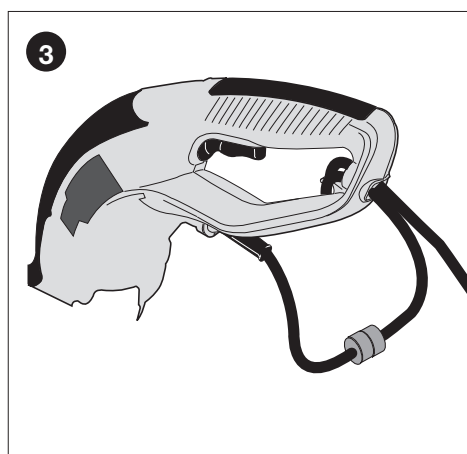
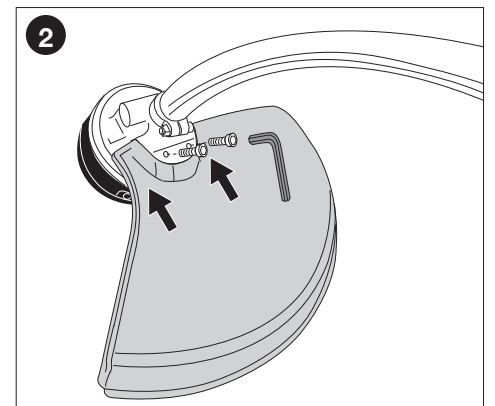
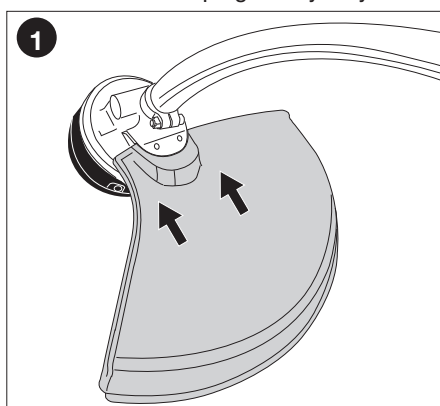
⚠ WARNING: To prevent electrical shock hazard, use only with an extension cord suitable for outdoor use. Always connect extension cords to a fused line or one protected by a circuit breaker.

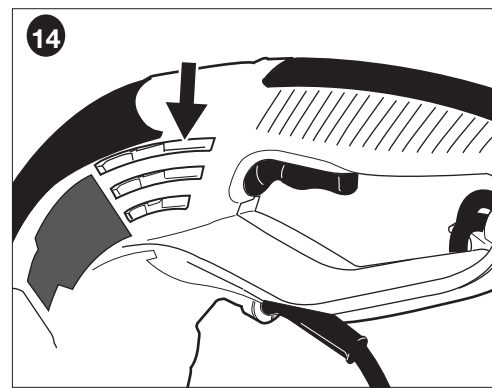
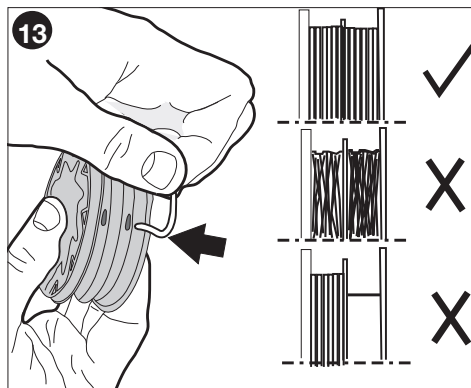
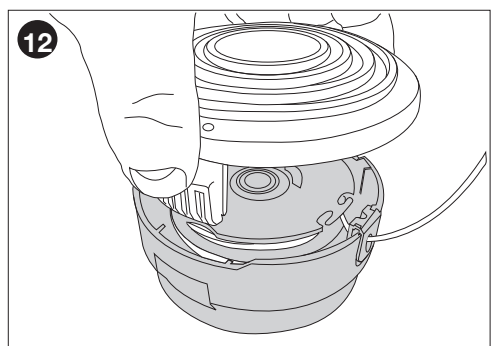
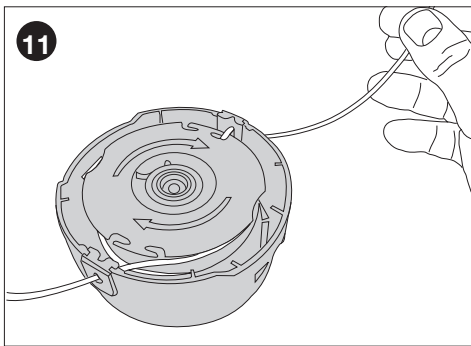
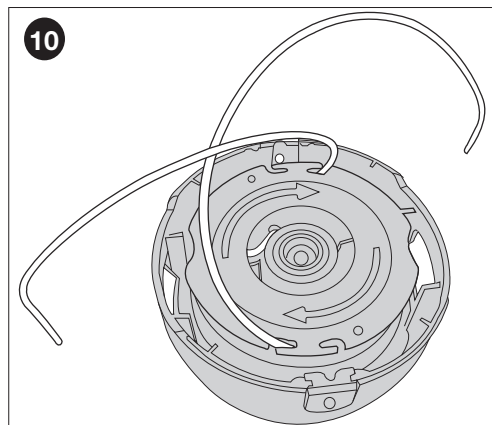
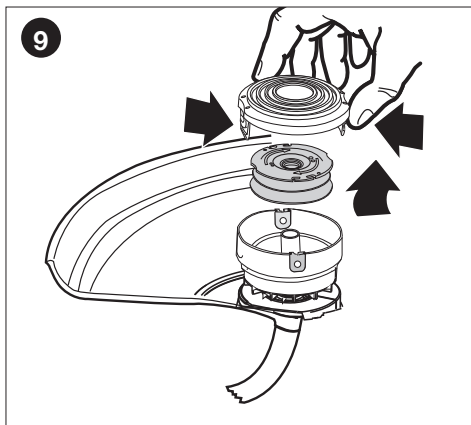
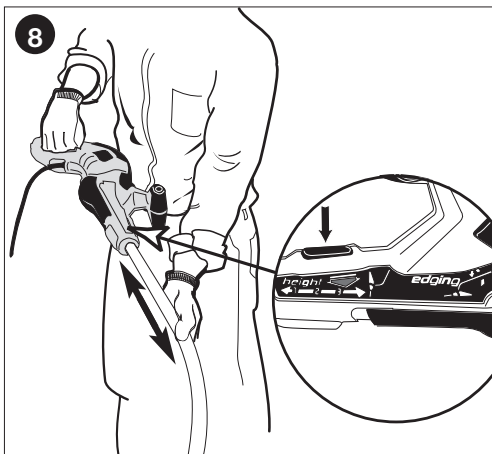
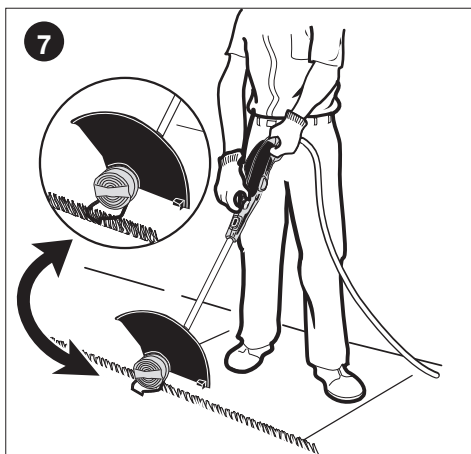
⚠ ADDITIONAL WARNINGS FOR STRING TRIMMERS

1. Keep the air intake slots (Figure 14) clean to avoid overheating.
2. Your trimmer line can dry out over time. To keep your line in top condition, store spare pre-wound spools or bulk line in a plastic, sealable bag with a tablespoon of water.
3. Plastic parts may be cleaned by using a mild soap and a damp rag.
4. DO NOT immerse tool in water or squirt it with a hose. DO NOT allow any liquid to get inside it.
5. Do not store the tool on or adjacent to fertilizers or chemicals.
6. DO NOT clean with a pressure washer.
7. The line cutter on the edge of the guard can dull over time.

⚠ SAFETY WARNINGS AND INSTRUCTIONS: POLARIZED PLUGS

To reduce the risk of electric shock, this equipment has a polarized plug (one blade is wider than the other) and will require the use of a polarized extension cord. The appliance plug will fit into a polarized extension cord only one way. If the plug does not fit fully into the extension cord, reverse the plug. If the plug still does not fit, obtain a correct polarized extension cord. A polarized extension cord will require the use of a polarized wall outlet. This plug will fit into the polarized wall outlet only one way. If the plug does not fit fully into the wall outlet, reverse the plug. If the plug still does not fit, contact a qualified electrician to install the proper wall outlet. Do not change the equipment plug, extension cord receptacle, or extension cord plug in any way.





Cutting line will wear faster and require more feeding if the cutting or edging is done along sidewalks or other abrasive surfaces or heavier weeds are being cut. The advanced automatic line feeding mechanism senses when more cutting line is needed and feeds and trims the correct length of line whenever its required. **DO NOT BUMP** unit on ground in attempt to feed line or for any other purposes.

CLEARING JAMS AND TANGLED LINES

From time to time, especially when cutting thick or stalky weeds, the line feeding hub may become clogged with sap or other material and the line will become jammed as a result. To clear the jam, follow the steps listed below.

1. Unplug the trimmer.
2. Press the release tabs on the line hub cap, as shown in **Figure 9** and remove the cap by pulling it straight off.
3. Pull the nylon line spool out and clear any broken line or cutting debris from the spool area. (YOU DO NOT HAVE TO REMOVE THE CENTER SCREW TO REMOVE THE SPOOL).
4. Place spool and line into spool housing with lines "parked" in slots provided as shown in **figure 10**.
5. Insert the line end through the appropriate holes in the spool hub. Pull slack line through until it pulls out of the holding slots as shown in **Figure 11**.
6. Press the spool down GENTLY and rotate it until you feel it drop into place and then push to snap into place. (When in place, the spool will turn a few degrees left and right freely). Take care to keep the line from becoming trapped under the spool.
7. Snap the hub cap back on as shown in **figure 12** by depressing lugs and pressing into spool housing. **NOTE:** Make sure that cover is fully positioned, listen for two audible clicks to ensure both lugs are correctly located. Power the tool on. In a few seconds or less you'll hear the nylon line being cut automatically to the proper length.

SPOOL OR LINE REPLACEMENT (Use .080 in. diameter ROUND line only)

1. Unplug the trimmer. Press the release tabs on the line hub cap, as shown in **Figure 9** and remove the cap by pulling it straight off.
2. Remove the spool from the tool and remove and discard all line on the spool.
3. Choose either **OPTION 1** or **OPTION 2**.

OPTION 1: ACCESSORY REPLACEMENT SPOOL

Use Black & Decker replacement spool Model No. DF-080. Install following instructions under "SPOOL OR LINE REPLACEMENT" #1 through #6, discarding old spool for Step 3 and using new spool in subsequent steps.

OPTION 2: REWINDING SPOOL USING BULK LINE

Bulk line for your trimmer/edger is available at extra cost from your local dealer or Black & Decker Service Center. Install following instructions under "SPOOL OR LINE REPLACEMENT" #1 through #6, performing the following steps for Step 3.

(Use .080 in. diameter ROUND line only)

- a. Your line spool for this product has two (2) wind areas for line. Wind line in one area first and then in the other. **NOTE:** For best results, wind line onto the outer portion of the spool (side with arrows) first.
 - b. Fold over nylon line about 3/4 in. (19mm) from the end to form a "hook" as shown in **Figure 13**. Insert the hooked end of the line into the slot on the inside of the spool.
 - c. Snugly and evenly wind the bulk line onto the spool in the direction of the arrow on the spool until the line builds up to the notches in the spool rim. Do not overfill spool. Repeat for the other wind area.
4. Place spool and line into spool housing with lines "parked" in slots provided as shown in **figure 10**.
 5. Insert the line ends through the holes in the spool hub. Pull slack line through until it pulls out of the holding slots as shown in **Figure 11**.
 6. Press the spool down GENTLY and rotate it until you feel it drop into place and then push to snap into place. (When in place, the spool will turn a few degrees left and right freely). Take care to keep the line from becoming trapped under the spool.
 7. Snap the hub cap back on as shown in **figure 12**, by depressing lugs and pressing into spool housing. **NOTE:** Make sure that cover is fully positioned, listen for two audible clicks to ensure both lugs are correctly located. Power the tool on. In a few seconds or less you'll hear the nylon line being cut automatically to the proper length.
- **For trouble free feeding and best results, only use Black & Decker replacement spools with dual 0.080 inch line. Black & Decker replacement spool model number DF-080.**

TROUBLESHOOTING

Problem	Possible Cause	Possible Solution
• Unit will not start.	• Cord not plugged in. • Circuit fuse is blown.	• Plug tool into a working outlet. • Replace circuit fuse. (If the product repeatedly causes the circuit fuse to blow, discontinue use immediately and have it serviced at a Black & Decker service center or authorized servicer.)
	• Circuit breaker is tripped.	• Reset circuit breaker. (If the product repeatedly causes the circuit breaker to trip, discontinue use immediately and have it serviced at a Black & Decker service center or authorized servicer.)
	• Cord or switch is damaged.	• Have cord or switch replaced at Black & Decker Service Center or Authorized Servicer

For assistance with your product, visit our website www.blackanddecker.com for the location of the service center nearest you or call the BLACK & DECKER help line at **1-800-544-6986**.

IMPORTANT: To assure product SAFETY and RELIABILITY, repairs, maintenance and adjustment should be performed by authorized service centers or other qualified service organizations, always using identical replacement parts.

ACCESSORIES

Use Black & Decker replacement spool Model No. DF-080.

Reload nylon line (either bulk or prewound replacement spool) as shown in this manual.

- **USE ONLY .080 in. (2mm) DIAMETER NYLON MONOFILAMENT LINE.** Do not use serrated or heavier gauge line, as they will overload the motor and cause overheating. The unit only functions properly with 0.080 in. (2mm) diameter nylon monofilament line. This line is available at your local dealer or authorized service center.

WARNING: The use of any accessory not recommended by Black & Decker for use with this tool could be hazardous.

SERVICE INFORMATION

All Black & Decker Service Centers are staffed with trained personnel to provide customers with efficient and reliable power tool service. Whether you need technical advice, repair, or genuine factory replacement parts, contact the Black & Decker location nearest you. To find your local service location, refer to the yellow page directory under "Tools—Electric" or call: **1-800-544-6986** or visit www.blackanddecker.com

FULL TWO-YEAR HOME USE WARRANTY

Black & Decker (U.S.) Inc. warrants this product for two years against any defects in material or workmanship. The defective product will be replaced or repaired at no charge in either of two ways.

The first, which will result in exchanges only, is to return the product to the retailer from whom it was purchased (provided that the store is a participating retailer). Returns should be made within the time period of the retailer's policy for exchanges (usually 30 to 90 days after the sale). Proof of purchase may be required. Please check with the retailer for their specific return policy regarding returns that are beyond the time set for exchanges.

The second option is to take or send the product (prepaid) to a Black & Decker owned or authorized Service Center for repair or replacement at our option. Proof of purchase may be required. Black & Decker owned and authorized Service Centers are listed under "Tools—Electric" in the yellow pages of the phone directory.

This warranty does not apply to accessories. This warranty gives you specific legal rights and you may have other rights which vary from state to state or province to province. Should you have any questions, contact the manager of your nearest Black & Decker Service Center. This product is not intended for commercial use.

FREE WARNING LABEL REPLACEMENT: If your warning labels become illegible or are missing, call **1-800-544-6986** for a free replacement.

LATIN AMERICA: This warranty does not apply to products sold in Latin America. For products sold in Latin America, check country specific warranty information contained in the packaging, call the local company or see the website for warranty information.

Imported by
Black & Decker (U.S.) Inc.,
701 E. Joppa Rd.
Towson, MD 21286 U.S.A.



SAFETY WARNINGS AND INSTRUCTIONS: EXTENSION CORDS

Make sure your extension cord is in good condition. When using an extension cord, be sure to use one heavy enough to carry the current your product will draw. An undersized cord will cause a drop in line voltage resulting in loss of power and overheating. The table shows the correct size to use depending on cord length and nameplate ampere rating. In doubt, use the next heavier gauge. The smaller the gauge number, the heavier the cord. If the extension will be used outside, the cord must be suitable for outdoor work. The letters "WA" on the cord jacket indicate that the cord is suitable for outdoor use.

Volts	Minimum Gauge for Cord Sets			
	Total Length of Cord in Feet			
120V	0-25	26-50	51-100	101-150
	(0-7,6m)	(7,6-15,2m)	(15,2-30,4m)	(30,4-45,7m)
240V	0-50	51-100	101-200	201-300
	(0-15,2m)	(15,2-30,4m)	(30,4-60,9m)	(60,9-91,4m)
Ampere Rating		American Wire Gauge		
More Than	Not more Than			
0	6	18	16	14
6	10	18	16	12
10	12	16	16	12
12	16	14	12	Not Recommended

SAVE THESE INSTRUCTIONS

ASSEMBLY / ADJUSTMENT SET-UP

WARNING: The guard must always be on the tool to protect the user.

NEVER OPERATE TOOL WITHOUT GUARD FIRMLY IN PLACE.

UNPLUG THE TOOL BEFORE ATTEMPTING TO ATTACH THE GUARD.

1. Position the open center of the guard over the line feed head (**Figure 1**).
2. Slide the guard into slot provided and tighten hex head screws with hex wrench included (**Figure 2**).
3. The guard is **not** intended to be removed once installed.
4. Once the guard is installed, remove the covering from the line cut-off blade, located on the edge of the guard.
5. Adjust the length of the tube by pushing the button and moving the tube up or down as shown in **Figure 8**.
6. Secure the extension cord with the cord retainer as shown in **Figure 3**.

OPERATING INSTRUCTIONS

CAUTION: ALWAYS WEAR EYE PROTECTION

CAUTION: Inspect area to be trimmed and remove any wire, cord, or string-like objects which could become entangled in the rotating line or spool. Be particularly careful to avoid any wire which might be bent outwardly into the path of the tool, such as barbs at the base of a chain link fence.

- With the unit on, slowly swing the trimmer side to side as shown in **Figure 5**.
- To convert for maintenance edging, unplug the unit from the power source. Gently pull the wire edge guide down into place as shown in **Figure 7**. Push the button and rotate the tube 180° as shown in **Figure 6**. The tool will lock in the edger position. Unit is shipped in the edging position.
- To operate as a maintenance edger, position the trimmer above the surface as shown in **Figure 7**.
- Return to the trimming position by unplugging the unit from the power source, pushing the button and rotating the tube back 180°. The tool will lock in the trimmer position. When using the tool put up the wire edge guide to the original position, out of the way.

CUTTING LINE LINE FEEDING

Your trimmer uses .080 in. (2mm) diameter, **ROUND** nylon line to cut grass and weeds quickly and easily. During use, the tips of the nylon lines will become frayed and worn and the special self feeding line hub will automatically feed and trim a fresh length of line.

MODE D'EMPLOI

N° de catalogue : GH1000, GH1100, GH2000

Merci d'avoir choisi Black & Decker!
Consulter le site Web
www.BlackandDecker.com/NewOwner
pour enregistrer votre nouveau produit.

À LIRE AVANT DE RETOURNER CE PRODUIT POUR QUELQUE RAISON QUE CE SOIT :

Si des questions ou des problèmes surgissent après l'achat d'un produit Black & Decker, consulter le site Web

HTTP://WWW.BLACKANDECKER.COM/INSTANTANSWERS

pour obtenir des réponses instantanément 24 heures par jour.

Si la réponse est introuvable ou en l'absence d'accès à Internet, composer le 1-800-544-6986 de 8 h à 17 h HNE, du lundi au vendredi, pour parler avec un agent.

Prière d'avoir le numéro de catalogue sous la main lors de l'appel.

VOICI DES RENSEIGNEMENTS IMPORTANTS QU'IL VOUS FAUT CONNAÎTRE :

- Le dispositif de protection doit être en place avant de débiter le taillage ou la coupe sinon le moteur surchauffera.
- Utiliser seulement un fil ROND de 2 mm (0,08 po) de diamètre lors du remplacement, sinon, l'appareil ne fonctionnera pas correctement.
- Éviter de frapper la tête d'alimentation contre le sol. En effet, cela endommagera le mécanisme d'alimentation.
- Incliner légèrement l'outil (5° à 10°) lors du taillage.
- Utiliser toujours le dispositif de retenu du cordon et le système de verrouillage de la rallonge.
- Pour obtenir une alimentation du fil sans traces et des résultats optimaux, utiliser uniquement les bobines de rechange Black & Decker pourvues d'un fil double de 2,03 mm (0,080 po). Le numéro de modèle de la bobine de rechange Black & Decker est DF-080.

CONSERVER CE MANUEL POUR UN USAGE ULTÉRIEUR.

⚠ AVERTISSEMENT : AVERTISSEMENTS DE SÉCURITÉ ET DIRECTIVES DE PREMIÈRE IMPORTANCE

⚠ RÉDUCTION DES RISQUES DE BLESSURES :

- Avant tout usage, s'assurer que tout utilisateur de cet outil lise et comprenne toutes les directives de sécurité ainsi que l'information comprise dans le présent manuel.
- Conserver ces directives et les examiner fréquemment avant d'utiliser l'appareil ou de donner des directives aux autres.

⚠ **MISE EN GARDE** : Négliger de se conformer aux recommandations décrites dans la section des informations importantes annulera la garantie.

⚠ **AVERTISSEMENT** : Si des outils de jardinage sont utilisés, des précautions de base en matière de sécurité doivent être suivies afin de réduire le risque d'incendie, de choc électrique et de blessure corporelle, notamment les suivantes :

⚠ **AVERTISSEMENT** : Certaines poussières produites par cet outil contiennent des produits chimiques reconnus par l'État de la Californie comme pouvant causer le cancer, les anomalies congénitales et d'autres dangers pour la reproduction. Voici quelques exemples de ces produits chimiques :

- composés présents dans les engrais
- composés présents dans les insecticides, herbicides et pesticides
- arsenic et chrome provenant de bois traité chimiquement

Pour réduire votre exposition à ces produits chimiques, porter un équipement de sécurité approuvé comme un masque anti-poussières conçu spécialement pour filtrer les particules microscopiques.

⚠ **AVERTISSEMENT** : Ce produit contient des produits chimiques, y compris du plomb, reconnus par l'État de la Californie comme pouvant être cancérigènes et pouvant entraîner des anomalies congénitales et d'autres dangers relatifs à la reproduction. Se laver les mains après la manipulation de l'appareil.

⚠ **MISE EN GARDE** : Porter un pare-main anti-bruit pendant l'utilisation. Dans certaines conditions et selon la durée d'utilisation, le bruit provoqué par ce produit peut contribuer à une perte auditive.

BIEN LIRE ET COMPRENDRE TOUTES LES DIRECTIVES AVANT D'UTILISER L'OUTIL.

LIGNES DIRECTRICES EN MATIÈRE DE SÉCURITÉ - DÉFINITIONS

Il est important que vous lisiez et compreniez ce mode d'emploi. Les informations qu'il contient concernent VOTRE SÉCURITÉ et visent à ÉVITER TOUT PROBLÈME. Les symboles ci-dessous servent à vous aider à reconnaître cette information.

⚠ **DANGER** : Indique une situation dangereuse imminente qui, si elle n'est pas évitée, causera la mort ou des graves blessures.

⚠ **AVERTISSEMENT** : Indique une situation potentiellement dangereuse qui, si elle n'est pas évitée, pourrait causer la mort ou de graves blessures.

⚠ **MISE EN GARDE** : Indique une situation potentiellement dangereuse qui, si elle n'est pas évitée, pourrait causer des blessures mineures ou modérées.

MISE EN GARDE : Utilisé sans le symbole d'alerte à la sécurité, indique une situation potentiellement dangereuse qui, si elle n'est pas évitée, peut résulter en des dommages à la propriété.

⚠ AVERTISSEMENTS ET DIRECTIVES DE SÉCURITÉ GÉNÉRALES POUR TOUS LES OUTILS.

- **TOUJOURS PORTER UNE PROTECTION OCULAIRE** - Porter des lunettes ou des lunettes protectrices en tout temps lorsque cet outil est branché.
- **DISPOSITIF DE PROTECTION** – Ne pas utiliser cet outil sans les dispositifs de protection en place.
- **S'HABILLER DE MANIÈRE APPROPRIÉE** - Ne pas porter de vêtements amples ni de bijoux. Ils peuvent s'enchevêtrer dans les pièces mobiles. Des gants en caoutchouc et des chaussures adéquates à semelles en caoutchouc sont recommandés lors de travaux à l'extérieur. Ne pas utiliser l'outil avec les pieds nus ou des sandales ouvertes. Porter des pantalons longs pour protéger vos jambes. Se couvrir les cheveux s'ils sont longs.
- **FIL EN NYLON** - Tenir le visage, les mains et pieds loin du fil de nylon rotatif en tout temps.
- **LE FIL EN ROTATION EXÉCUTE UNE COUPE** - Être attentif lors de taillage autour de grillages et de plates-bandes.
- **TENIR ÉLOIGNÉ TOUS LES SPECTATEURS** - À une distance sécuritaire de l'aire de travail, particulièrement les enfants.

- **AVERTISSEMENT IMPORTANT** : lorsque l'outil est utilisé comme coupe bordure, des pierres, morceaux de métal et autres objets peuvent être projetés à haute vitesse par le fil. L'outil et le dispositif de protection sont conçus pour réduire le risque. Toutefois, les précautions spéciales suivantes doivent être prises :
- **S'ASSURER** que toute personne et animaux sont éloignés d'au moins 30 m (100 pi).
- **POUR RÉDUIRE LE RISQUE** de blessures par ricochet, travaillez en vous éloignant de tout objet solide tel un mur, des marches, de grosses pierres, d'arbres, etc. Soyez très prudent lors de travaux près d'objets solides et, le cas échéant, taillez ou coupez manuellement.
- **ÉVITER LES DÉMARRAGES ACCIDENTELS** - Ne pas transporter d'outil branché avec le doigt sur la détente.
- **NE PAS FORCER L'OUTIL** - à tourner à une vitesse plus rapide que celle pour laquelle il est capable de couper efficacement.
- **UTILISER LE BON OUTIL** - Ne pas utiliser cet outil pour tout autre type de travail sauf pour celui pour lequel il est prévu.
- **NE PAS TROP TENDRE LES BRAS** - Conserver son équilibre en tout temps.
- **NE PAS UTILISER LE CORDON DE FAÇON ABUSIVE** - Ne pas tirer sur le cordon d'alimentation pour le débrancher. Tenir le cordon éloigné de la chaleur, de l'huile et des bords tranchants.
- **OUTIL ENDOMMAGÉ** - Si vous frappez ou devenez enchevêtré dans un objet, arrêtez immédiatement l'outil, débranchez-le puis inspectez pour toute trace de dommages qui devront être réparés avant une autre utilisation. Ne pas utiliser avec un moyeu ou une bobine brisés.
- **CORDON D'ALIMENTATION ENDOMMAGÉ** - Tenir éloigné le cordon d'alimentation du fil rotatif. En cas de dommages au cordon d'alimentation, débranchez-le de la prise avant de déplacer l'outil ou d'inspecter le dommage. Un cordon endommagé doit être remplacé avant sa prochaine utilisation.
- **DÉBRANCHER L'OUTIL** – Lorsque inactif, lors de remplacement de fil ou avant un nettoyage.
- **ÉVITER LES CONDITIONS ENVIRONNEMENTALES DANGEREUSES** - Ne pas utiliser d'outils électriques dans des lieux humides ou mouillés. Suivre toutes les directives de ce mode d'emploi pour une utilisation adéquate de votre outil. Ne pas utiliser l'outil sous la pluie.
- **NE PAS UTILISER** d'outils électriques portatifs dans un milieu gazeux ou déflagrant. Les moteurs de ces outils produisent normalement des étincelles qui pourraient enflammer des vapeurs.
- **RANGER LES OUTILS INUTILISÉS À L'INTÉRIEUR** – Lorsqu'ils ne sont pas utilisés, les outils doivent être rangés à l'intérieur, dans un endroit sec et verrouillé, hors de portée des enfants.
- **UN DISJONCTEUR DE FUITE DE TERRE** doit être installé pour protéger les circuits ou prises utilisés pour cet appareil électrique de jardin. Des prises avec fonction de disjoncteur de fuite de terre intégrées sont aussi disponibles et peuvent être utilisées comme mesures de protection.
- **FIXER LE CORDON D'ALIMENTATION** à l'aide du dispositif de retenu de celui-ci tel qu'illustré à la **figure 3**.
- **ÊTRE VIGILANT** – Surveiller le travail effectué. Faire preuve de jugement. Ne pas utiliser l'outil en cas de fatigue.
- **PRENDRE SOIN DES OUTILS ÉLECTRIQUES** – Suivre les directives figurant à la section Entretien. Inspecter régulièrement les rallonges électriques et remplacer si endommagées. Maintenir les poignées sèches, propres et exemptes d'huile et de graisse.
- **VÉRIFIER LES PIÈCES ENDOMMAGÉES** – Avant toute utilisation ultérieure de l'appareil électrique, un dispositif de protection endommagé, ou toute autre pièce endommagée, doit être examiné soigneusement afin d'assurer un fonctionnement adéquat selon sa fonction prévue. Vérifier l'alignement des pièces mobiles, la présence de grippage des pièces mobiles, de rupture de pièces, la fixation et tout autre problème pouvant nuire au fonctionnement de l'outil. Un dispositif de protection endommagé, ou toute autre pièce endommagée, doit être réparé ou remplacé adéquatement par un centre de réparation autorisé à moins d'un avis contraire indiqué dans le présent mode d'emploi.

⚠ **AVERTISSEMENT** : Pour réparer tout outil à double isolation, VEUILLEZ UTILISER DES PIÈCES DE RECHANGE IDENTIQUES. Remplacer ou réparer les cordons endommagés.

⚠ **AVERTISSEMENT** : Pour prévenir un choc électrique ou une électrocution, se servir uniquement d'une rallonge convenant à une utilisation à l'extérieur. Toujours brancher les rallonges à une prise avec fusible ou protégée par un disjoncteur.

⚠ AVERTISSEMENTS SUPPLÉMENTAIRES POUR MINITONDEUSES À FIL ROTATIF

1. Tenir les orifices de ventilation (**figure 14**) dégagés pour éviter la surchauffe.
2. Votre fil rotatif peut sécher avec le temps. Pour tenir votre fil en excellente condition, entreposer les bobines de rechange de fil pré-enroulé ou le fil en vrac dans un sac en plastique scellé contenant une cuillère d'eau.
3. Les pièces en plastique se nettoient avec un savon doux et un chiffon humide.
4. NE PAS immerger l'outil dans l'eau ou l'arroser au boyau. ÉVITER la pénétration de tout liquide dans l'outil.
5. Ne pas ranger l'outil sur des engrais ou des produits chimiques ou près de ceux-ci.
6. NE PAS nettoyer avec un nettoyeur à pression.
7. Le coupe fil sur le bord du dispositif de protection peut s'érousser avec le temps.

⚠ AVERTISSEMENTS DE SÉCURITÉ ET DIRECTIVES : FICHES POLARISÉES

Pour réduire le risque de chocs électriques, cet équipement comporte une fiche polarisée (une broche est plus large que l'autre) et exigera l'utilisation d'une rallonge polarisée. La fiche de l'outil électrique ne se branchera que d'une seule façon dans une rallonge polarisée. Si la fiche ne s'insère pas totalement dans la rallonge, renversez-la. Si la prise ne s'insère toujours pas, rechercher une rallonge polarisée appropriée. Une rallonge polarisée exigera l'utilisation d'une prise murale polarisée. Cette fiche ne se branchera que d'une seule façon dans une prise murale polarisée. Si la fiche ne s'insère pas totalement dans la prise murale, renversez-la. Si elle ne s'insère toujours pas dans la prise, demandez à un électricien compétent d'installer une prise murale polarisée. Ne modifiez en aucun cas la fiche de l'appareil, la prise ou la fiche de la rallonge.

⚠ AVERTISSEMENTS DE SÉCURITÉ ET DIRECTIVES : RALLONGES ÉLECTRIQUES

S'assurer que la rallonge est en bon état. Lorsque qu'une rallonge électrique est utilisée, s'assurer d'en utiliser une de calibre suffisamment élevé pour assurer le transport du courant nécessaire au fonctionnement de votre appareil. Un cordon de calibre inférieur causera une chute de tension de ligne et donc une perte de puissance et une surchauffe. Le tableau indique le calibre approprié à utiliser selon la longueur du cordon et l'intensité nominale de la plaque signalétique. En cas de doute, utiliser le calibre suivant le plus gros. Plus le numéro de calibre est petit, plus le cordon est lourd. Si la rallonge est utilisée à l'extérieur, elle doit être prévue à cet effet. Les lettres « WA » marquées sur l'enveloppe du cordon indiquent que le cordon convient à un usage extérieur.

Tension	Calibre minimal des cordons de rallonge			
	Longueur totale du cordon en pieds			
120V	0-25	26-50	51-100	101-150
	(0-7,6m)	(7,6-15,2m)	(15,2-30,4m)	(30,4-45,7m)
240V	0-50	51-100	101-200	201-300
	(0-15,2m)	(15,2-30,4m)	(30,4-60,9m)	(60,9-91,4m)
Intensité (A)		Calibre moyen des fils (AWG)		
Au moins	Au plus			
0	6	18	16	14
6	10	18	16	12
10	12	16	14	12
12	16	14	12	Non recommandé

CONSERVER CES MESURES.

CONFIGURATION DE L'ASSEMBLAGE ET DES RÉGLAGES

⚠ **AVERTISSEMENT** : Le dispositif de protection doit toujours être en place sur l'outil pour protéger l'opérateur.

NE JAMAIS UTILISER L'OUTIL SANS LE DISPOSITIF DE PROTECTION SOLIDEMENT ATTACHÉ.

Débrancher l'outil avant d'installer le dispositif de protection.

1. Positionner la partie centrale ouverte du disque de plastique au-dessus de la tête d'alimentation du fil (**figure 1**).
2. Faire glisser le dispositif de protection dans la fente à cet effet et serrer les vis à tête hexagonale avec la clé fournie (**figure 2**).
3. L'enlèvement du disque de protection n'est pas prévu une fois en place.
4. Une fois le disque de protection en place, retirer l'enveloppe de la lame, pour la coupe du fil, située sur le bord du dispositif de protection.

- Régler la longueur de la tige en appuyant sur le bouton et en déplaçant la tige vers le haut ou le bas tel qu'illustré à la **figure 8**.
- Fixer la rallonge avec le dispositif de retenu tel qu'illustré à la **figure 3**.

DIRECTIVES D'UTILISATION

⚠ MISE EN GARDE : TOUJOURS PORTER UNE PROTECTION OCULAIRE

⚠ MISE EN GARDE : Inspecter la zone qui sera taillée et retirer tout morceau de fil, corde ou d'objets similaires qui pourraient s'enchevêtrer dans le fil rotatif ou avec la bobine.

Être spécialement attentif et éviter, sur le parcours de l'outil, tout fil courbé vers l'extérieur comme les fils métalliques au pied d'une clôture à mailles losangées.

- Avec le moteur en marche, balancer lentement la taille bordure d'un côté à l'autre tel qu'illustré à la **figure 5**.
- Pour convertir l'outil en coupe bordure pour l'entretien, débrancher l'appareil de la prise. Tirer doucement sur le guide pour bordure pour le mettre en place tel qu'illustré à la **figure 7**. Appuyer sur le bouton et tourner la tige de 180° tel qu'illustré à la **figure 6**. L'outil se verrouillera en position de coupe-bordure. L'appareil est livré dans cette position.
- Pour l'utilisation en tant que coupe-bordure d'entretien, placer la taille-bordure au dessus de la surface tel qu'illustré à la **figure 7**.
- Pour revenir à la position de taille-bordure, débrancher l'appareil de la prise puis appuyer sur le bouton et retourner la tige de 180°. L'outil se verrouillera en position de taille-bordure. Lors de l'utilisation de l'outil, mettre le guide pour bordure dans sa position d'origine, hors du parcours.

COUPE DU FIL ALIMENTATION DU FIL

Votre taille-bordure utilise un fil de nylon **ROND** de 2 mm (0,08 po) de diamètre qui coupe l'herbe et les broussailles rapidement et facilement. En cours d'utilisation, les extrémités des fils de nylon s'effilocheont et s'useront. Le moyeu d'alimentation automatisé de fil fournira et coupera automatiquement une nouvelle longueur de fil. Le fil tranchant s'usera plus rapidement et exigera une quantité plus élevée de fil si la coupe ou le taillage s'effectue le long de trottoirs ou autres surfaces abrasives ou si des broussailles plus épaisses sont coupées. Le mécanisme évolué d'alimentation automatisée du fil perçoit la demande accrue de fil et fournit et coupe la bonne longueur de fil dès qu'il est nécessaire. Ne pas frapper l'appareil sur le sol pour alimenter l'appareil ou pour toute autre raison.

DÉSOBSTRUER ET DÉSENCHEVÊTRER LES FILS

De temps en temps, particulièrement lors de la coupe de broussailles épaisses ou vertes, le moyeu d'alimentation de fil s'encrasse avec la sève ou toute autre matière, et le fil se bloque. Pour désobstruer l'ensemble, suivre les étapes suivantes.

- Débrancher la taille-bordure.
- Appuyer sur les onglets de déclenchement sur le dessus du moyeu tel qu'illustré à la **figure 9** puis retirer le couvercle en le tirant droit.
- Retirer la bobine de fil de nylon. Retirer tout morceau de fil brisé ou résidus de coupe de la zone de la bobine. (VOUS N'AVEZ PAS À RETIRER LA VIS CENTRALE POUR RETIRER LA BOBINE).
- Mettre la bobine et le fil en place dans le boîtier de la bobine. S'assurer que les fils sont bien insérés dans les rainures prévues à cet effet, comme indiqué à la **figure 10**.
- Insérer l'extrémité du fil dans les trous appropriés du moyeu de la bobine. Tirer sur le fil pour retirer le mou jusqu'à ce que celui-ci sorte des rainures de maintien, comme indiqué à la **figure 11**.
- Appuyer DOUCEMENT sur la bobine et la tourner jusqu'à ce qu'elle se mette en position, puis l'enclencher. (Lorsqu'en position, la bobine tournera librement de quelques degrés vers la droite et la gauche.) Être attentif et éviter que le fil ne soit pris sous la bobine.
- Enclencher le capuchon du moyeu comme indiqué à la **figure 12**, en appuyant sur les pattes pour les insérer dans le boîtier de la bobine. **REMARQUE** : S'assurer que le couvercle est bien mis; deux dé clics devraient se faire entendre, confirmant ainsi la bonne insertion des deux pattes. Mettre l'outil sous tension. Dans les quelques secondes suivantes, la coupe automatique du fil de nylon à la bonne longueur se fera entendre.

REMPACEMENT DE LA BOBINE OU DU FIL (utiliser uniquement un fil ROND de 2 mm (0,08 po) de diamètre)

- Débrancher la taille-bordure. Appuyer sur les onglets de déclenchement sur le dessus du moyeu tel qu'illustré à la **figure 9** puis retirer le couvercle en le tirant droit.
- Retirer la bobine puis retirer et jeter tout fil de la bobine.
- Choisir **L'OPTION 1 OU 2**.

OPTION 1 : BOBINE DE RECHANGE

Utiliser la bobine de rechange Black & Decker modèle no. DF-080. Suivre les directives d'installation nos. 1 à 6 de la section « REMPLACEMENT DE LA BOBINE OU DU FIL ». Jeter la vieille bobine à l'étape 3 et utiliser une nouvelle bobine dans les étapes suivantes.

OPTION 2 : REMBOBINER LA BOBINE AVEC DU FIL EN VRAC

Du fil en vrac, pour votre taille-bordure/coupe-bordure, est disponible pour l'achat chez votre détaillant local ou à votre centre de réparation Black & Decker. Suivre les directives d'installation nos. 1 à 6 de la section « REMPLACEMENT DE LA BOBINE OU DU FIL ». Suivre les étapes suivantes pour l'étape no. 3 .

(Utiliser uniquement du fil ROND de 2 mm (0,08 po) de diamètre)

- Votre bobine pour ce produit comporte deux (2) zones de rembobinage. Rembobiner une zone puis l'autre.
 - Plier le fil de nylon pour former une « boucle » à environ 19 mm (3/4 po) de l'extrémité comme illustré à la **figure 13**. Insérer l'extrémité bouclée du fil dans la rainure à l'intérieur de la bobine.
 - Enrouler le fil en vrac, de façon serrée et uniforme, autour de la bobine, suivant la direction de la flèche, jusqu'aux encoches sur le bord de la bobine. (**figure 12**) Ne pas surcharger la bobine. Répéter pour l'autre zone de rembobinage.
- Mettre la bobine et le fil en place dans le boîtier de la bobine. S'assurer que les fils sont bien insérés dans les rainures prévues à cet effet, comme indiqué à la **figure 10**.
 - Insérer les extrémités des fils dans les trous du moyeu de la bobine. Tirer sur les fils pour retirer le mou jusqu'à ce que ceux-ci sortent des rainures de maintien, comme indiqué à la **figure 11**.
 - Appuyer DOUCEMENT sur la bobine et la tourner jusqu'à ce qu'elle se mette en position, puis l'enclencher. (Lorsqu'en position, la bobine tournera librement de quelques degrés vers la droite et la gauche.) Être attentif et éviter que le fil ne soit pris sous la bobine.
 - Enclencher le capuchon du moyeu comme indiqué à la **figure 12**, en appuyant sur les pattes pour les insérer dans le boîtier de la bobine. **REMARQUE** : S'assurer que le couvercle est bien mis; deux dé clics devraient se faire entendre, confirmant ainsi la bonne insertion des deux pattes. Mettre l'outil sous tension. Dans les quelques secondes suivantes, la coupe automatique du fil de nylon à la bonne longueur se fera entendre.
 - Pour obtenir une alimentation du fil sans tracas et des résultats optimaux, utiliser uniquement les bobines de rechange Black & Decker pourvues d'un fil double de 2,03 mm (0,080 po). Le numéro de modèle de la bobine de rechange Black & Decker est DF-080.

IMPORTANT : Pour garantie la SÉCURITÉ et la FIABILITÉ du produit, les réparations, l'entretien et le réglage doivent être réalisés par un centre de réparation autorisé ou tout autre centre de réparation professionnel, et des pièces de rechange identiques doivent être utilisées.

ACCESSOIRES

Utiliser la bobine de rechange modèle no. DF-080 de Black & Decker.

Recharger le fil de nylon (en vrac ou sur bobine de rechange) selon les directives de ce mode d'emploi.

- UTILISER UNIQUEMENT DU FIL DE NYLON (MONOFILAMENT) DE 2 mm (0,08 po) DE DIAMÈTRE. Ne pas utiliser de fil dentelé ou de plus gros calibre car ces fils surchargeront le moteur et provoqueront une surchauffe. L'appareil ne fonctionne bien qu'avec du fil de nylon (monofilament) de 2 mm (0,08 po) de diamètre. Ce fil est disponible auprès de votre détaillant local ou centre de réparation autorisé.

⚠ AVERTISSEMENT : L'utilisation de tout accessoire non recommandé par Black & Decker, avec cet outil, pourrait s'avérer dangereuse.

DÉPANNAGE

Problème

- L'appareil refuse de démarrer.

Cause possible

- Cordon d'alimentation non branché.
- Le fusible du circuit est grillé.

Solution possible

- Brancher l'outil dans une prise qui fonctionne.
- Remplacer le fusible du circuit. (Si le produit fait griller de façon répétée le fusible du circuit, arrêter immédiatement d'utiliser le produit et le faire réparer dans un centre de réparation Black & Decker ou un centre de réparation autorisé.)
- Remettre le disjoncteur à zéro . (Si le produit fait déclencher de façon répétée le disjoncteur, arrêter immédiatement d'utiliser le produit et le faire réparer dans un centre de réparation Black & Decker ou un centre de réparation autorisé.)
- Faire remplacer le cordon ou l'interrupteur au centre de réparation Black & Decker ou à un centre de réparation autorisé.

- Le disjoncteur est déclenché.

- Le cordon d'alimentation ou la prise de courant est endommagé(e).

Pour obtenir de l'aide avec l'outil, consulter notre site Web **www.blackanddecker.com** pour l'emplacement du centre de réparation le plus près ou communiquer avec l'assistance **BLACK & DECKER** au **1-800-544-6986**.

INFORMATION SUR LES RÉPARATIONS

Tous les centres de réparation Black & Decker sont dotés de personnel qualifié en matière d'outillage électrique; ils sont donc en mesure d'offrir à leur clientèle un service efficace et fiable. Que ce soit pour un avis technique, une réparation ou des pièces de rechange authentiques installées en usine, communiquer avec l'établissement Black & Decker le plus près de chez vous. Pour trouver l'établissement de réparation de votre région, consulter le répertoire des Pages jaunes à la rubrique « Outils électriques » ou composer le numéro suivant : **1-800-544-6986** ou consulter le site **www.blackanddecker.com**.

GARANTIE COMPLÈTE DE DEUX ANS POUR UNE UTILISATION DOMESTIQUE

Black & Decker (É.-U.) Inc. garantit ce produit pour une durée de deux ans contre tout défaut de matériau ou de fabrication. Le produit défectueux sera remplacé ou réparé sans frais de l'une des deux façons suivantes :

La première façon consiste en un simple échange chez le détaillant qui l'a vendu (pourvu qu'il s'agisse d'un détaillant participant). Tout retour doit se faire durant la période correspondant à la politique d'échange du détaillant (habituellement, de 30 à 90 jours après l'achat). Une preuve d'achat peut être requise. Vérifier auprès du détaillant pour connaître sa politique concernant les retours hors de la période définie pour les échanges.

La deuxième option est d'apporter ou d'envoyer le produit (transport payé d'avance) à un centre de réparation autorisé ou à un centre de réparation de Black & Decker pour faire réparer ou échanger le produit, à notre discrétion. Une preuve d'achat peut être requise. Les centres Black & Decker et les centres de service autorisés sont répertoriés dans les pages jaunes, sous la rubrique « Outils électriques ».

Cette garantie ne s'applique pas aux accessoires. Cette garantie vous accorde des droits légaux spécifiques et vous pourriez avoir d'autres droits qui varient d'un État ou d'une province à l'autre. Pour toute question, communiquer avec le directeur du centre de réparation Black & Decker le plus près de chez vous. Ce produit n'est pas destiné à un usage commercial.

REMPACEMENT GRATUIT DES ÉTIQUETTES D'AVERTISSEMENT : si les étiquettes d'avertissement deviennent illisibles ou sont manquantes, composer le **1-800-544-6986** pour en obtenir le remplacement gratuit.

Imported by / Importé par
Black & Decker Canada Inc.
100 Central Ave.
Brockville (Ontario) K6V 5W6

Voir la rubrique “Outils électriques”
des Pages jaunes
pour le service et les ventes.



PODADORA/BORDEADORA GH1000, GH1100, GH2000

MANUAL DE INSTRUCCIONES

Catálogo N°: GH1000, GH1100, GH2000

Gracias por elegir Black & Decker!
Visite www.BlackandDecker.com/NewOwner
para registrar su nuevo producto.

LEA EL MANUAL ANTES DE DEVOLVER ESTE PRODUCTO POR CUALQUIER MOTIVO:

Si tiene una consulta o algún inconveniente con su producto Black & Decker, visite

[HTTP://WWW.BLACKANDDECKER.COM/INSTANTANSWERS](http://www.blackanddecker.com/instantanswers)

para obtener respuestas instantáneas las 24 horas del día.

Si no encuentra la respuesta o no tiene acceso a Internet, llame al 1-800-544-6986 de

lunes a viernes de 8 a.m. a 5 p.m. hora del Este para hablar con un agente.

Cuando llame, tenga a mano el número de catálogo.

VOICI DES RENSEIGNEMENTS IMPORTANTS QU'IL VOUS FAUT CONNAÎTRE :

- El protector debe instalarse antes de podar o bordear. De lo contrario, el motor se sobrecalentará.
- Al reemplazar la cuerda, sólo utilice una cuerda REDONDA de 2 mm (0,080 pulg.) de diámetro. De lo contrario, la unidad no funcionará correctamente.
- No golpee el cabezal de alimentación contra el piso. Esto interrumpirá el mecanismo de alimentación.
- La herramienta debe inclinarse levemente (entre 5° y 10°) al podar.
- Siempre utilice el dispositivo de retención del cable y la función de bloqueo del cable de prolongación.
- Para lograr una alimentación sin problemas y los mejores resultados, utilice únicamente carretes de repuesto de Black & Decker con cuerda doble de 2 mm (0,080 pulgada). Carrete de repuesto de Black & Decker número de modelo DF-080.

CONSERVE ESTE MANUAL PARA FUTURAS CONSULTAS.

⚠️ ADVERTENCIA: INSTRUCCIONES Y ADVERTENCIAS IMPORTANTES SOBRE SEGURIDAD:

PARA REDUCIR EL RIESGO DE LESIONES:

- Antes de utilizar la herramienta, asegúrese de que todas las personas que la utilicen hayan leído y comprendido todas las instrucciones de seguridad y demás información incluida en este manual.
- Guarde estas instrucciones y revíselas con frecuencia antes de usar y al enseñarles a los demás.

⚠️ **PRECAUCIÓN:** El incumplimiento de las recomendaciones descritas en la sección de información clave anulará la garantía.

⚠️ **ADVERTENCIA:** Al utilizar herramientas eléctricas para jardín, siempre deben cumplirse las precauciones de seguridad básicas para reducir el riesgo de incendio, descarga eléctrica y lesiones personales, incluidas las siguientes:

⚠️ **ADVERTENCIA: Parte del polvo generado por este producto contiene sustancias químicas reconocidas por el Estado de California como causantes de cáncer, defectos congénitos u otros problemas reproductivos. Algunos ejemplos de estas sustancias químicas:**

- compuestos en los fertilizantes
- compuestos en los insecticidas, herbicidas y pesticidas
- arsénico y cromo de la madera con tratamiento químico

Para reducir su exposición a estas sustancias químicas, utilice el equipo de seguridad aprobado, como máscaras para polvo especialmente diseñadas para filtrar partículas microscópicas.

⚠️ **ADVERTENCIA:** Este producto contiene sustancias químicas, incluido el plomo, reconocidas por el Estado de California como causantes de cáncer, defectos congénitos u otros problemas reproductivos. Lávese las manos después de utilizarla.

⚠️ **PRECAUCIÓN:** Utilice la protección auditiva apropiada mientras usa la herramienta. En determinadas condiciones y según el período de uso, el ruido provocado por este producto puede ocasionar pérdida de la audición.

LEA Y COMPRENDA TODAS LAS INSTRUCCIONES ANTES DE UTILIZAR EL PRODUCTO.

PAUTAS DE SEGURIDAD/DEFINICIONES

Es importante que lea y comprenda este manual. La información que contiene se relaciona con la protección de SU SEGURIDAD y la PREVENCIÓN DE PROBLEMAS. Los símbolos que siguen se utilizan para ayudarlo a reconocer esta información.

⚠️ **PELIGRO:** indica una situación de peligro inminente que, si no se evita, provocará la muerte o lesiones graves.

⚠️ **ADVERTENCIA:** indica una situación de peligro potencial que, si no se evita, provocará la muerte o lesiones graves.

⚠️ **PRECAUCIÓN:** indica una situación de peligro potencial que, si no se evita, provocará lesiones leves o moderadas.

PRECAUCIÓN: utilizado sin el símbolo de alerta de seguridad indica una situación de peligro potencial que, si no se evita, puede provocar daños en la propiedad.

⚠️ ADVERTENCIAS E INSTRUCCIONES DE SEGURIDAD GENERALES PARA TODAS LAS HERRAMIENTAS

- **SIEMPRE UTILICE PROTECCIÓN PARA LOS OJOS:** utilice gafas o anteojos de seguridad en todo momento que esta herramienta esté enchufada.
- **PROTECTOR:** nunca utilice esta herramienta sin el protector.
- **UTILICE LA VESTIMENTA ADECUADA:** no utilice ropa holgada ni joyas. Pueden atascarse en las piezas móviles. Se recomienda utilizar guantes de goma y calzado con una suela de goma considerable al trabajar al aire libre. No opere la herramienta descalzo ni con sandalias abiertas. Utilice pantalones largos para protegerse las piernas. Recójase y cubra el cabello largo.
- **CUERDA DE NYLON:** mantenga la cara, las manos y los pies lejos de la cuerda de nylon giratoria en todo momento.
- **LA CUERDA GIRATORIA REALIZA UNA FUNCIÓN DE CORTE:** tenga precaución al podar alrededor de pantallas y plantas que desea.
- **MANTENGA ALEJADOS A TODOS LOS ESPECTADORES:** a una distancia segura, especialmente a los niños.
- **ADVERTENCIA IMPORTANTE:** al utilizar la herramienta como Bordeadora, las piedras, las piezas de metal y otros objetos pueden ser arrojados a alta velocidad por la acción de la cuerda. La herramienta y el protector están diseñados para reducir el peligro. No obstante, se deben tener en cuenta las siguientes precauciones especiales:
- **ASEGÚRESE** de que las demás personas y mascotas estén a no menos de 30 m (100 pies) de distancia.
- **PARA REDUCIR EL RIESGO** de lesiones por repercusión (rebote), trabaje lejos de cualquier objeto sólido cercano, como pared, escalones, piedras grandes, árboles, etc. Tenga suma precaución al trabajar cerca de objetos sólidos y, cuando sea necesario, pode o recorte los bordes en forma manual.
- **EVITE EL ARRANQUE ACCIDENTAL:** nunca transporte la herramienta enchufada con el dedo en el interruptor.
- **NO FUERCE LA HERRAMIENTA:** a una velocidad más rápida de la velocidad para la que fue diseñada para cortar en forma eficaz.
- **UTILICE LA HERRAMIENTA ADECUADA:** no utilice esta herramienta para un trabajo diferente a aquéllos para los que fue diseñada.
- **NO SE ESTIRE:** conserve el equilibrio adecuado y manténgase parado correctamente en todo momento.
- **NO TIRE DEL CABLE:** no jale el cable de la fuente de energía. Mantenga el cable alejado del calor, el aceite y los bordes afilados.
- **DAÑO A LA UNIDAD:** si golpea la herramienta o ésta se atasca con un objeto extraño, deténgala de inmediato, desenchúfela, verifique que no se haya dañado y repare cualquier daño antes de seguir utilizándola. No opere la herramienta si la bobina o el carrete están dañados.
- **DAÑOS DEL CABLE:** mantenga el cable de alimentación lejos de la cuerda giratoria. Si daña el cable, desenchúfelo de la fuente de alimentación antes de mover la herramienta o examinar el cable. Un cable dañado debe reemplazarse antes de utilizarlo.
- **DESCONECTE LA HERRAMIENTA:** cuando no la utilice, al reemplazar la cuerda o antes de limpiarla.
- **EVITE LAS CONDICIONES AMBIENTALES PELIGROSAS:** no utilice herramientas eléctricas en lugares húmedos o mojados. Siga todas las instrucciones incluidas en este Manual de instrucciones para una operación adecuada de la herramienta. No utilice la herramienta bajo la lluvia.
- **NO OPERE** herramientas eléctricas portátiles en atmósferas gaseosas o explosivas. Los motores de estas herramientas normalmente chispean, y las chispas pueden encender los vapores.
- **GUARDE LAS HERRAMIENTAS QUE NO SE UTILICEN EN EL INTERIOR:** cuando no las utilice, las herramientas deben guardarse en un lugar seco, alto o bajo llave, fuera del alcance de los niños.
- La protección del **INTERRUPTOR DE CORTE POR FALLA A TIERRA (GFCI)** debe aplicarse a los circuitos o los tomacorrientes que se utilizarán en electrodomésticos para jardín. Hay tomacorrientes con protección GFCI incorporada y pueden utilizarse para tomar esta medida de protección.
- **FIJE EL CABLE DE PROLONGACIÓN** utilizando el dispositivo de retención del cable que se muestra en la **Figura 3**.
- **ESTÉ ALERTA:** fíjese en lo que está haciendo. Use el sentido común. No opere la herramienta si está cansado.
- **CONSERVE LAS HERRAMIENTAS ADECUADAMENTE:** siga las instrucciones en la sección de mantenimiento. Inspeccione los cables prolongadores periódicamente y reemplácelos si están dañados. Mantenga los mangos secos, limpios y libres de aceite y grasas.
- **VERIFIQUE LAS PIEZAS AVERIADAS:** antes de volver a utilizar la herramienta, se debe controlar cualquier protección u otra pieza que esté averiada para determinar si funcionará correctamente y realizará la función para la que fue diseñada. Verifique la alineación y la sujeción de las piezas móviles, la rotura de piezas, el montaje y cualquier otra condición que pueda afectar el funcionamiento. Cualquier protección u otra pieza que esté dañada debe ser reparada correctamente o reemplazada por un centro de mantenimiento autorizado, a menos que este manual indique otra cosa.

⚠️ **ADVERTENCIA:** Al realizar el mantenimiento de las herramientas con doble aislamiento, UTILICE SÓLO PIEZAS DE REPUESTO IDÉNTICAS. Repare o reemplace los cables dañados.

⚠️ **ADVERTENCIA:** Para evitar el riesgo de descargas eléctricas, sólo utilice con un cable de prolongación adecuado para uso en exteriores. Siempre conecte los cables prolongadores a una línea con fusible o a una protegida por un interruptor de circuitos.

⚠️ ADVERTENCIA ADICIONALES PARA PODADORES DE CADENA

1. Mantenga limpias las ranuras de admisión de aire (**Figura 14**) para evitar el sobrecalentamiento.
2. La cuerda de la podadora puede secarse con el tiempo. Para conservar la cuerda en óptimas condiciones, guarde los carretes pre-enrollados de repuesto o la cuerda en paquete en una bolsa sellada de plástico con una cucharada de agua.
3. Las piezas de plástico pueden limpiarse utilizando jabón suave y un paño húmedo.
4. NO sumerja la herramienta en agua ni la salpique con una manguera. NO permita que ningún líquido entre en ella.
5. NO guarde la herramienta sobre o cerca de fertilizantes o productos químicos.
6. NO limpie con una lavadora a presión.
7. La cortadora de cuerda en el extremo del protector puede desafilarse con el tiempo.

⚠️ INSTRUCCIONES Y ADVERTENCIAS DE SEGURIDAD: ENCHUFES POLARIZADOS

Para disminuir el riesgo de descargas eléctricas, este equipo posee un enchufe polarizado (una pata es más ancha que la otra) y requerirá el uso de un cable prolongador polarizado. El enchufe de la herramienta se ajustará en un cable prolongador polarizado de una sola manera. Si el cable prolongador no se ajusta totalmente en el tomacorriente, invierta el enchufe. Si aún así no se ajusta, obtenga un cable prolongador polarizado adecuado. Un cable prolongador polarizado requerirá el uso de un tomacorriente de pared polarizado. Este enchufe se ajustará en un tomacorriente de pared polarizado de una sola manera. Si el enchufe no se ajusta totalmente en el tomacorriente de pared, invierta el enchufe. Si aún así no se ajusta bien, recurra a un electricista calificado para que instale un tomacorriente de pared adecuado. No cambie el enchufe del equipo, el tomacorriente del cable prolongador ni el enchufe del cable prolongador de ninguna manera.

INSTRUCCIONES Y ADVERTENCIAS DE SEGURIDAD: CABLES PROLONGADORES

Asegúrese de que el cable prolongador esté en buenas condiciones. Cuando utilice un cable prolongador, asegúrese de que tenga la capacidad para conducir la corriente que su producto exige. Un cable de menor capacidad provocará una disminución en el voltaje de la línea que producirá pérdida de potencia y sobrecalentamiento. La tabla muestra la medida correcta que debe utilizar según la longitud del cable y la capacidad nominal en amperios indicada en la placa. En caso de duda, utilice el calibre inmediatamente superior. Cuanto menor sea el número de calibre, más grueso será el cable. Si se utilizará el cable prolongador en el exterior, éste debe ser el adecuado para trabajos al aire libre. Las letras "WA" en la cubierta del cable indican que el cable es apropiado para uso en el exterior.

Volts	Calibre mínimo para cables de extensión				
	Longitud total del cable en pies				
120V	0-25	26-50	51-100	101-150	
	(0-7,6m)	(7,6-15,2m)	(15,2-30,4m)	(30,4-45,7m)	
240V	0-50	51-100	101-200	201-300	
	(0-15,2m)	(15,2-30,4m)	(30,4-60,9m)	(60,9-91,4m)	
Amperaje		American Wire Gage			
	Más de	No más de			
0	- 6	18	16	16 14	
6	- 10	18	16	14 12	
10	- 12	16	16	14 12	
12	- 16	14	12	No se recomienda	

CONSERVE ESTAS INSTRUCCIONES

ENSAMBLADO/REGULACIONES

⚠️ **ADVERTENCIA:** El protector siempre debe estar instalado en la herramienta para proteger al usuario.

NUNCA OPERE LA HERRAMIENTA SIN EL PROTECTOR BIEN CALZADO EN SU LUGAR. DESENCHUFE LA HERRAMIENTA ANTES DE INSTALAR EL PROTECTOR.

1. Coloque el centro abierto del protector sobre la cabeza de alimentación de la cuerda (**Figura 1**).
2. Deslice el protector en la ranura proporcionada y ajuste los tornillos de cabeza hexagonal con la llave hexagonal suministrada (**Figura 2**).
3. El protector no está diseñado para ser retirado después de su instalación.
4. Una vez instalado, retire la cubierta de la hoja de corte de la cuerda ubicada en el extremo del protector.
5. Presione el botón y mueva el tubo hacia arriba o abajo, como se muestra en la **Figura 8**, para ajustar la longitud del tubo.
6. Fije el cable prolongador con el dispositivo de retención del cable como se muestra en la **Figura 3**.

INSTRUCCIONES DE OPERACIÓN

⚠️ **PRECAUCIÓN:** SIEMPRE UTILICE PROTECCIÓN PARA LOS OJOS

⚠️ **PRECAUCIÓN:** Inspeccione el área que desea podar y retire cualquier cable, alambre y demás objetos afilados que puedan atascarse en la cuerda o el carrete giratorio. Tenga especial precaución para evitar que los cables se doblen hacia afuera del trayecto de la herramienta, como las púas en la base de un alambre de púas.

- Con la unidad encendida, gire lentamente la podadora de lado a lado como se muestra en la **Figura 5**.
- Para convertir la herramienta en bordeadora de mantenimiento, desenchufe la unidad de la fuente de alimentación. Tire suavemente del extremo del cable y colóquelo en su lugar como se muestra en la **Figura 7**. Presione el botón y gire el tubo 180° como se muestra en la **Figura 6**. La herramienta se bloqueará en la posición de bordeadora. La unidad viene con la posición para bordear.
- Para operar como bordeadora de mantenimiento, coloque la podadora por encima de la superficie como se muestra en la **Figura 7**.
- Para volver a la posición de podadora al desenchufar la unidad de la fuente de alimentación, presione el botón y gire el tubo 180° nuevamente. La herramienta se bloqueará en la posición de podadora. Al utilizar la herramienta, coloque la guía del borde del cable en la posición original, fuera del trayecto.

CUERDA DE CORTE

ALIMENTACIÓN DE LA CUERDA

La podadora utiliza una cuerda de nylon **REDONDA** de 2 mm (0,080 pulg.) de diámetro para cortar césped y malezas con rapidez y facilidad. Durante el uso, las puntas de las cuerdas de nylon se deshilacharán y desgastarán, y la bobina de la cuerda de alimentación automática especial se autoalimentará y recortará la cuerda para proporcionar una punta nueva. La cuerda de corte se desgastará más rápido y necesitará más alimentación si el corte o el borde se realiza cerca de aceras u otras superficies abrasivas, o si se cortan malezas más espesas. El mecanismo avanzado de alimentación automática de la cuerda detecta cuándo se necesita más cuerda de corte y alimenta y corta la longitud correcta de cuerda según sea necesario. No deje caer la unidad al intentar alimentar una cuerda ni por algún otro motivo.

LIMPIEZA DE ATASCOS Y CUERDAS ENREDADAS

De vez en cuando, especialmente al cortar malezas espesas o frondosas, la bobina de alimentación de la cuerda puede atascarse con la savia de las plantas u otro material, de modo que la cuerda también se atascará. Para limpiar el atasco, siga los pasos descritos a continuación.

1. Desenchufe la podadora.
2. Presione las lengüetas de liberación en la tapa de la bobina de la cuerda como se muestra en la **Figura 9** y jale la tapa hacia afuera en línea recta para retirarla.
3. Retire el carrete de cuerdas de nylon y limpie cualquier cuerda dañada o polvo de corte del área del carrete. (NO DEBE RETIRAR EL TORNILLO DEL ANILLO CENTRAL PARA RETIRAR EL CARRETE).
4. Coloque el carrete y la cuerda en la cubierta del carrete que contiene las cuerdas dentro de las ranuras suministradas como se muestra en la **figura 10**.
5. Inserte el extremo de la cuerda a través de los orificios adecuados de la bobina del carrete. Jale el exceso de cuerda hasta extraerlo hacia afuera de las ranuras de retención, como se muestra en la **Figura 11**.

- Presione el carrete SUAVEMENTE y gírelo hasta que sienta que está fijo en su lugar y luego, empújelo para ajustarlo. (Cuando esté fijo, el carrete podrá moverse algunos grados a la izquierda y a la derecha con libertad). Tenga cuidado para evitar que la cuerda quede atrapada bajo el carrete.
- Calce nuevamente la tapa de la bobina como se muestra en la **figura 12** oprimiendo las lengüetas y presionando en la cubierta del carrete. **NOTA:** Asegúrese de que la cubierta esté en la posición correcta, debe escuchar dos chasquidos para asegurarse de que las dos lengüetas estén correctamente ubicadas. Encienda la herramienta. En algunos segundos o menos, escuchará que la cuerda de nylon se cortará automáticamente a la longitud adecuada.

REEMPLAZO DEL CARRETE O LA CUERDA (Use solamente cuerdas de 2 mm [0,08 pulg.] de diámetro)

- Desenchufe la podadora. Presione las lengüetas de liberación en la tapa de la bobina de la cuerda como se muestra en la **Figura 9** y jale la tapa hacia afuera en línea recta para retirarla.
- Retire el carrete de la herramienta, y retire y deseche toda la cuerda en el carrete.
- Elija la **OPCIÓN 1** o la **OPCIÓN 2**.

OPCIÓN 1: CARRETE DE REPUESTO ACCESORIO

Utilice el carrete de repuesto Black & Decker modelo N° DF-080. Instale siguiendo las instrucciones en “REEMPLAZO DEL CARRETE O LA CUERDA” N° 1 a N° 6, deseche el carrete anterior para el Paso 3 y utilice el nuevo carrete en los pasos subsiguientes.

OPCIÓN 2: REBOBINADO DEL CARRETE CON LA CUERDA DE PAQUETE

La cuerda de paquete para la podadora/bordeadora está disponible a un costo adicional en su distribuidor local o en el Centro de mantenimiento de Black & Decker. Instale siguiendo las instrucciones en “REEMPLAZO DEL CARRETE O LA CUERDA” N° 1 a N° 6, a través de los pasos para el Paso 3.

(Utilice cuerdas REDONDAS de 2 mm [0,08 pulg.] de diámetro)

- El carrete de la cuerda para este producto posee dos (2) áreas de bobinado para la cuerda. Bobine la cuerda en un área primero y luego en la otra.
 - Superponga la línea de nailon aproximadamente 19 mm (3/4 pulg.) desde el extremo para formar un “gancho” como se muestra en la **Figura 13**. Introduzca el extremo de la línea con forma de gancho en la ranura interna del carrete.
 - Bobine suavemente y en forma uniforme la cuerda de paquete en el carrete en la dirección de la flecha en el carrete hasta que la cuerda se acumule en las muescas del borde del carrete. No rellene en exceso el carrete. Haga lo mismo para la otra área de bobinado.
- Coloque el carrete y la cuerda en la cubierta del carrete que contiene las cuerdas dentro de las ranuras suministradas como se muestra en la **figura 10**.
 - Inserte los extremos de la cuerda a través de los orificios de la bobina del carrete. Jale el exceso de cuerda hasta extraerlo hacia afuera de las ranuras de retención, como se muestra en la **figura 11**.
 - Presione el carrete SUAVEMENTE y gírelo hasta que sienta que está fijo en su lugar y luego, empújelo para ajustarlo. (Cuando esté fijo, el carrete podrá moverse algunos grados a la izquierda y a la derecha con libertad). Tenga cuidado para evitar que la cuerda quede atrapada bajo el carrete.
 - Calce nuevamente la tapa de la bobina como se muestra en la **figura 12**, oprimiendo y presionando en la cubierta del carrete. **NOTA:** Asegúrese de que la cubierta esté en la posición correcta, debe escuchar dos chasquidos para asegurarse de que las dos lengüetas estén correctamente ubicadas. Encienda la herramienta. En algunos segundos o menos, escuchará que la cuerda de nylon se cortará automáticamente a la longitud adecuada.
- Para lograr una alimentación sin problemas y los mejores resultados, utilice únicamente carretes de repuesto de Black & Decker con cuerda doble de 2 mm (0,080 pulgada). Carrete de repuesto de Black & Decker número de modelo DF-080.

DETECCIÓN DE PROBLEMAS

Problema	Causa posible	Solución posible
•La unidad no enciende.	<ul style="list-style-type: none"> • Cable desenchufado. • Fusible quemado. 	<ul style="list-style-type: none"> • Enchufe el cargador en un tomacorriente que funcione. • Reemplace el fusible quemado. (Si repetidamente el producto hace que el fusible del circuito se queme, deje de utilizarlo inmediatamente y haga que le realicen mantenimiento en un centro de mantenimiento Black & Decker o en un centro de servicio autorizado.) • Reinicie el interruptor automático. (Si repetidamente el producto hace que el fusible del circuito se queme, deje de utilizarlo inmediatamente y haga que le realicen mantenimiento en un centro de mantenimiento Black & Decker o en un centro de servicio autorizado.)
	<ul style="list-style-type: none"> • El interruptor automático está activado. 	<ul style="list-style-type: none"> • Haga reparar el cable o el interruptor en un centro de mantenimiento Black & Decker o en un centro de mantenimiento autorizado.
	<ul style="list-style-type: none"> • Interruptor o cable dañado. 	

Solamente para Propósitos de México

Para conocer la ubicación del centro de servicio más cercano a fin de recibir ayuda con su producto, visite nuestro sitio Web www.blackanddecker.com.mx o llame a la línea de ayuda BLACK & DECKER al **01 800 847 2309/01 800 847 2312**

IMPORTANTE: Para garantizar la SEGURIDAD y la CONFIABILIDAD del producto, las reparaciones, el mantenimiento y los ajustes se deben realizar en los centros de mantenimiento autorizados o en otras organizaciones de mantenimiento calificadas, utilizando siempre piezas de repuesto idénticas.

ACCESORIOS

Utilice el carrete de repuesto de Black & Decker Modelo N° DF-080.

Vuelva a cargar la cuerda de nylon (de paquete o el carrete de repuesto pre-enrollado) como se muestra en este manual.

- UTILICE SOLAMENTE CUERDA DE MONOFILAMENTO DE 2 mm (0,08 pulg.) DE DIÁMETRO. No utilice cuerdas dentadas o de mayor calibre ya que sobrecargarán el motor y provocarán sobrecalentamiento. La unidad sólo funciona correctamente con la cuerda de monofilamento de nylon de 2 mm (0,08 pulg.) de diámetro: Puede conseguir esta cuerda a través de su distribuidor local o centro de mantenimiento autorizado.

⚠ **ADVERTENCIA:** El uso de accesorios no recomendados por Black & Decker para esta herramienta puede ser peligroso.

INFORMACIÓN DE MANTENIMIENTO

Todos los Centros de servicio de Black & Decker cuentan con personal altamente capacitado dispuesto a brindar a todos los clientes un servicio eficiente y confiable en la reparación de herramientas eléctricas. Si necesita consejo técnico, reparaciones o piezas de repuesto originales de fábrica, póngase en contacto con el centro de servicio de Black & Decker más cercano a su domicilio. Para ubicar su centro de servicio local, consulte la sección “Herramientas eléctricas” (Tools-Electric) de las páginas amarillas. llame al **1-800-544-6986** o visite nuestro sitio www.blackanddecker.com.

GARANTÍA COMPLETA DE DOS AÑOS PARA USO EN EL HOGAR

Black & Decker (Estados Unidos) Inc. ofrece una garantía de dos años por cualquier defecto del material o de fabricación de este producto. El producto defectuoso se reparará o reemplazará sin costo alguno de dos maneras.

La primera opción, el reemplazo, es devolver el producto al comercio donde se adquirió (siempre y cuando se trate de un comercio participante). Las devoluciones deben realizarse conforme a la política de devolución del comercio (generalmente, entre 30 y 90 días posteriores a la venta). Le pueden solicitar comprobante de compra. Consulte en el comercio acerca de la política especial sobre devoluciones una vez excedido el plazo establecido. La segunda opción es llevar o enviar el producto (con flete pago) a un Centro de servicio propio o autorizado de Black & Decker para su reparación o reemplazo según nuestro criterio. Le pueden solicitar el comprobante de compra. Los Centros de servicio autorizados

y de propiedad de Black & Decker se detallan en la sección “Herramientas eléctricas” (Tools-Electric) de las páginas amarillas de la guía telefónica.

Esta garantía no se extiende a los accesorios. Esta garantía le concede derechos legales específicos; usted puede tener otros derechos que pueden variar según el estado o la provincia. Si tiene alguna pregunta, comuníquese con el gerente del Centro de servicio de Black & Decker de su zona. Este producto no está diseñado para uso comercial.

AMÉRICA LATINA: esta garantía no se aplica a los productos que se venden en América Latina. Para los productos que se venden en América Latina, debe consultar la información de la garantía específica del país que viene en el empaque, llamar a la compañía local o visitar el sitio Web a fin de obtener esa información.

• GARANTÍA BLACK & DECKER • BLACK & DECKER WARRANTY • SOLAMENTE PARA PROPOSITOS DE MEXICO

Distributor Name · *Sello firma del distribuidor*

Date of purchase · *Fecha de compra*

Invoice No. · No. de factura

PRODUCT INFORMATION · IDENTIFICACIÓN DEL PRODUCTO

Cat. No. · *Catalogo ó Modelo*

Serial Number · No. de serie

Name · *Nombre*

Last Name · Apellido

Address · *Dirección*

City · *Ciudad*

State · Estado

Postal Code · *Código Postal*

Country · País

Telephone · *No. Teléfono*

2 AÑOS DE GARANTIA

Este producto cuenta con dos años de garantía a partir de la fecha de compra contra cualquier defecto de su funcionamiento, así como cualquier falla debido a materiales empleados para su fabricación ó mano de obra defectuosa.

Nuestra garantía incluye la reparación o reposición del producto y/o componentes sin cargo alguno para el cliente incluyendo la mano de obra, esta incluye los gastos de trasportación erogados para lograr cumplimiento de esta garantía en los domicilios diversos señalados.

Para hacer efectiva esta garantía deberá presentar su herramienta y esta póliza sellada por el establecimiento comercial donde se adquirió el producto.

Nos comprometemos a entregar el producto en un lapso no mayor a 30 días hábiles contados a partir de la fecha de recepción del mismo en nuestros talleres de servicio autorizados.

ESTA GARANTIA NO APLICA CUANDO:

El producto se hubiese utilizado en condiciones distintas a las normales. El producto no hubiese sido operado de acuerdo con el instructivo de uso que se acompaña. El producto hubiese sido alterado o reparado por personas no autorizadas por nosotros.

Importador: Black & Decker S.A. de .C.V
Bosque de Cidros Acceso Radiatas No.42
3ra.Seccion de Bosques de las lomas
C.P.05120, Mexico, D.F. Tel: (01 55) 5326 7100

SOLAMENTE PARA PROPOSITOS DE MEXICO

Grupo Realsa en herramientas, S.A. de C.V.
Súper Manzana 69 MZ.01 Lote 30 (Av. Torcasita)
Col. Puerto Juárez
Cancún, Quintana Roo
Tel. 01 998 884 72 27

Ferre Pat de Puebla, S.A. de C.V.
16 de Septiembre No. 6149
Col. El Cerrito
Puebla, Puebla
Tel. 01 222 264 12 12

Ferre Pat de Puebla, S.A. de C.V.
Ejército Mexicano No. 15
Col. Ejido 1ro. de Mayo
Boca del Rio, Veracruz
Tel. 01 229 167 89 89

Servicio de Fabrica Black & Decker, S.A. de C.V.
Lázaro Cardenas No. 18
Col. Obrera
Distrito Federal
Tel. 55 88 95 02

Representaciones Industriales Robles, S.A. de C.V.
Tezozomoc No. 89
Col. La Preciosa
Distrito Federal
Tel. 55 61 86 82

Gpo. Comercial de Htas. y Refacciones de Occidente, S.A. de C.V.
Av. La Paz No. 1779
Col. Americana, S. Juaréz
Guadalajara, Jalisco
Tel. 01 33 38 25 69 78

Herramientas y Equipos Profesionales
Av. Colón 2915 Ote.
Col. Francisco I. Madero
Monterrey, Nvo. León
Tel. 01 81 83 54 60 06

Htas. Portátiles de Chihuahua, S.A. de C.V.
Av. Universidad No. 2903
Col. Fracc. Universidad
Chihuahua, Chihuahua
Tel. 01 614 413 64 04

Fernando González Armenta
Bolivia No. 605
Col. Felipe Carrillo Puerto
Cd. Madero, Tampico
Tel. 01 833 221 34 50

Perfiles y Herramientas de Morelia
Gertrudis Bocanegra No. 898
Col. Ventura Puente
Morelia, Michoacán
Tel. 01 443 313 85 50

Enrique Robles
Av. de la Solidaridad No. 12713
Col. La Pradera
Irapuato, Guanajuato
Tel. 01 462 626 67 39

Hernández Martínez Jeanette
Prolongación Corregidora Nte. No. 1104
Col. Arboledas
Querretaro, Qro.
Tel. 01 442 245 25 80

PARA OTRAS LOCALIDADES LLAME AL 01 800 847 2309 o 01 800 847 2312.

Vea “Herramientas eléctricas (Tools-Electric)” – Páginas amarillas – para Servicio y ventas



BLACK & DECKER S.A. DE C.V.
BOSQUES DE CIDROS ACCESO RADIATAS
NO. 42
COL. BOSQUES DE LAS LOMAS.
05120 MÉXICO, D.F
TEL. 55-5326-7100